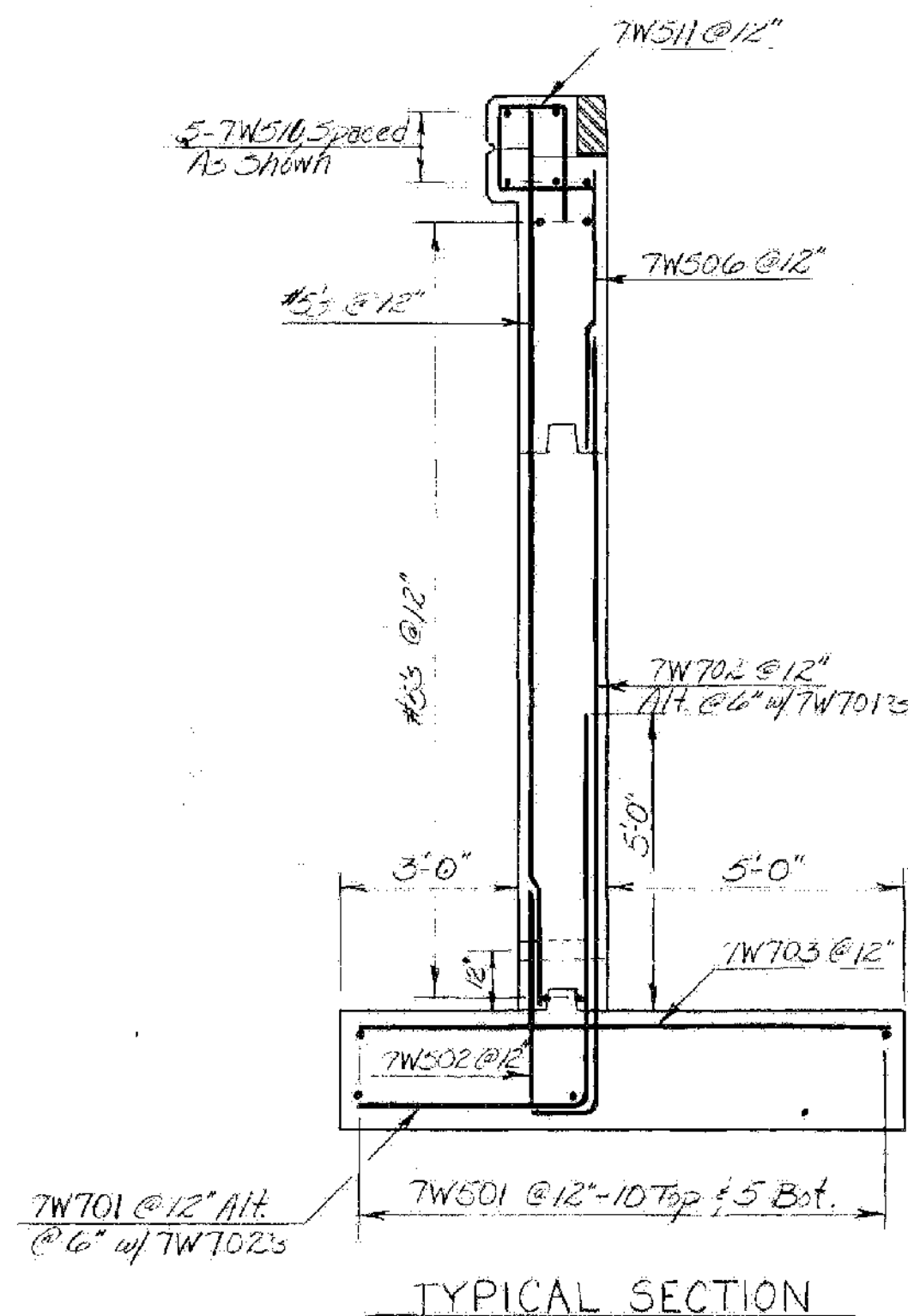
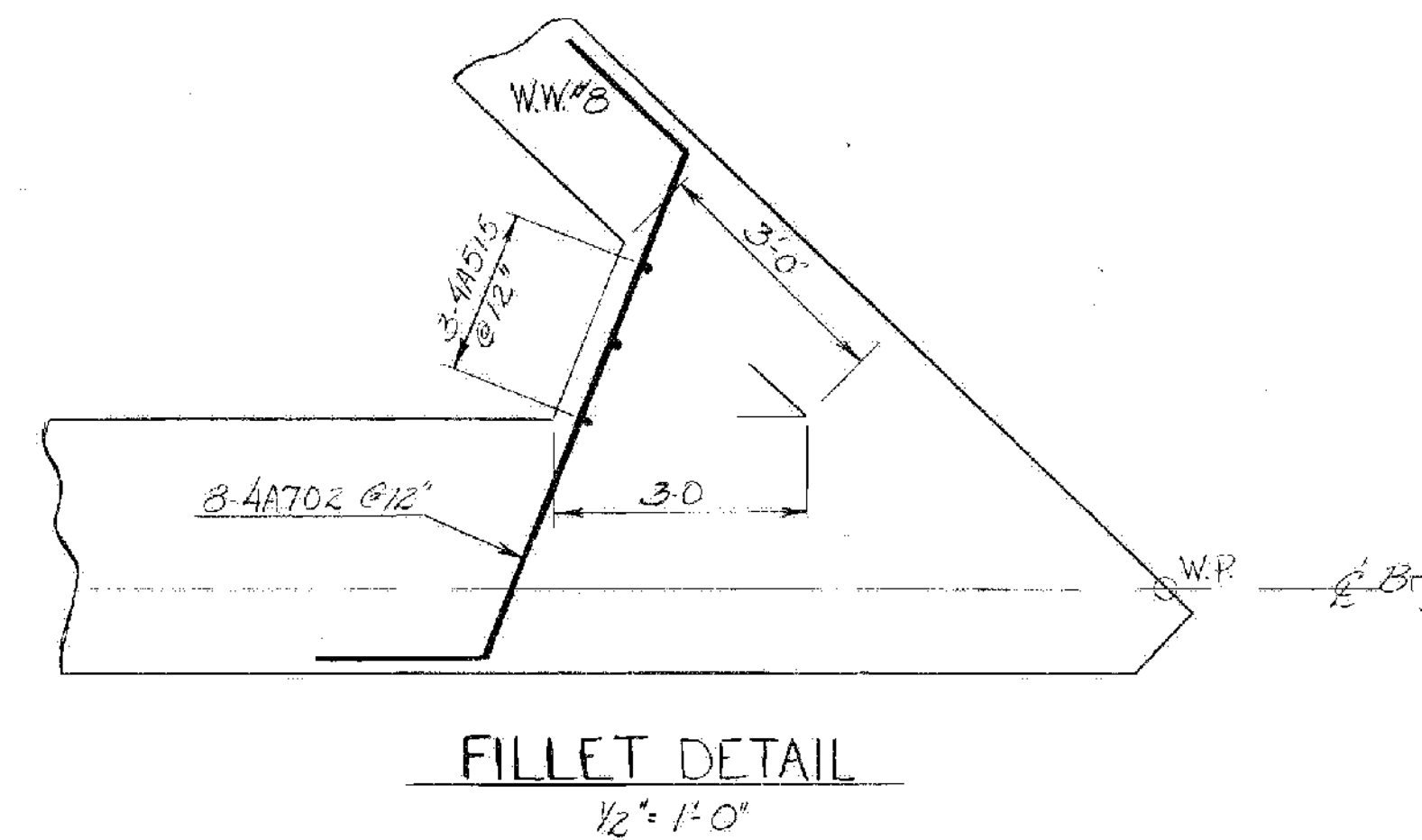


ELEVATION

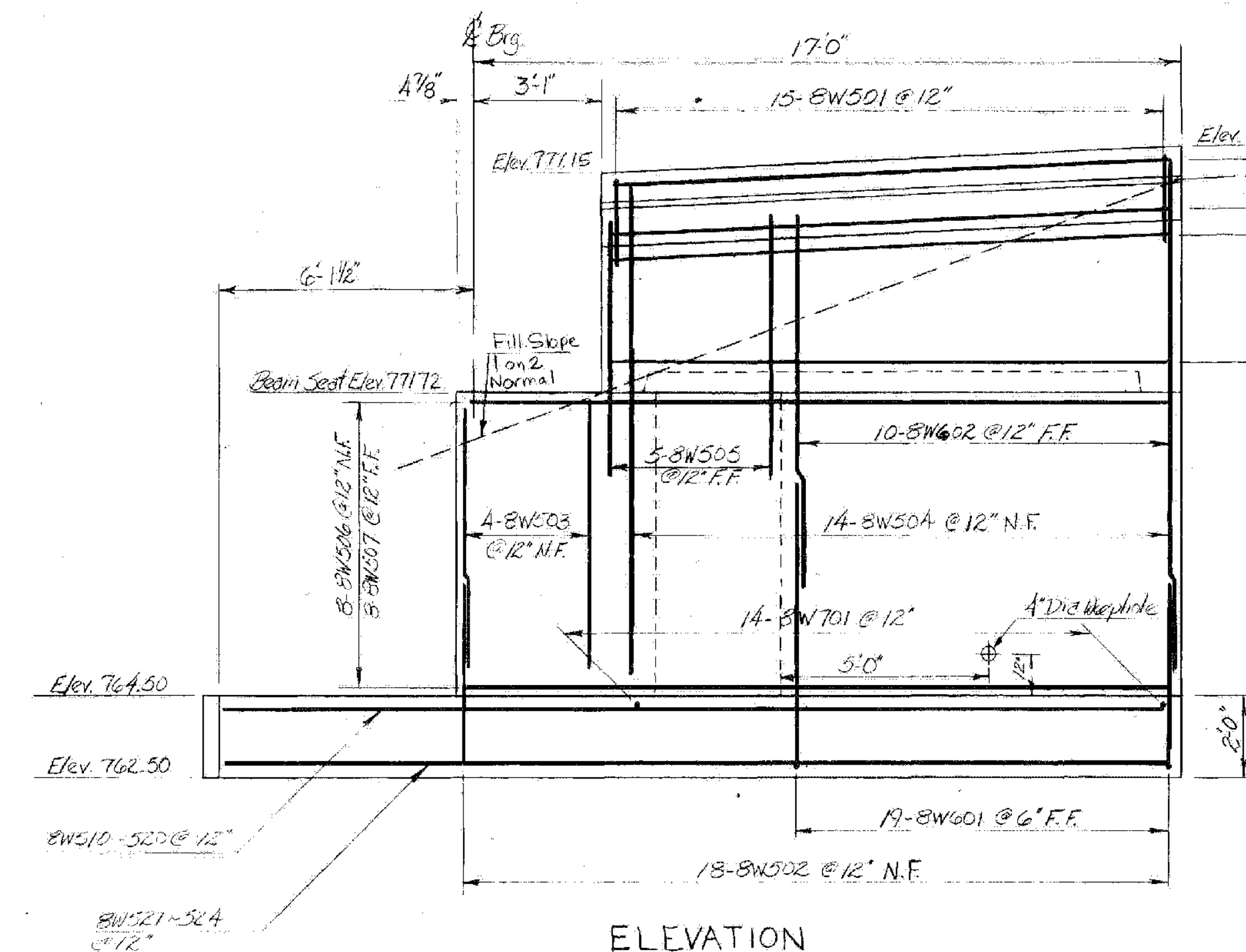


TYPICAL SECTION

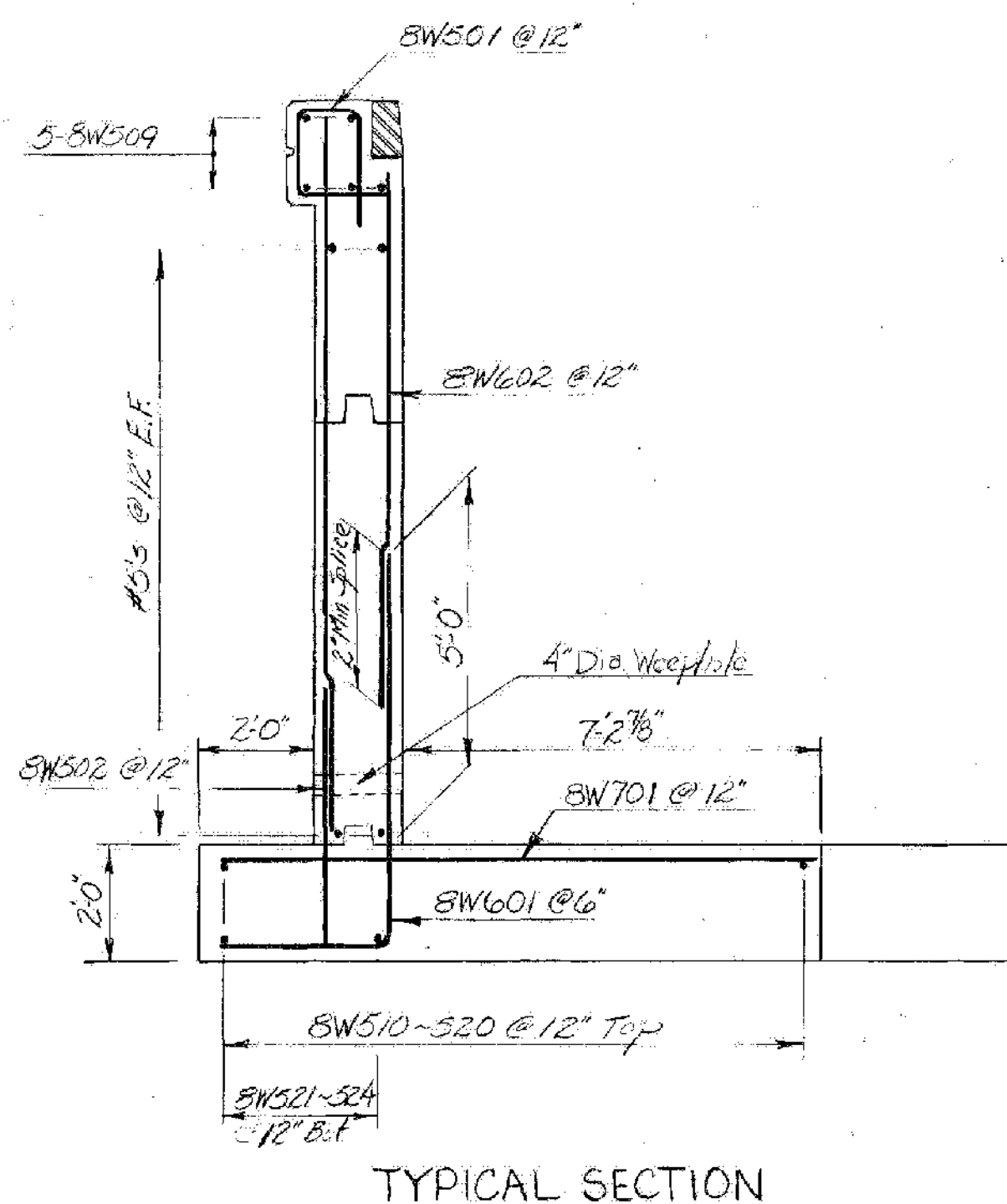


FILLET DETAIL  
1/2" = 1'-0"

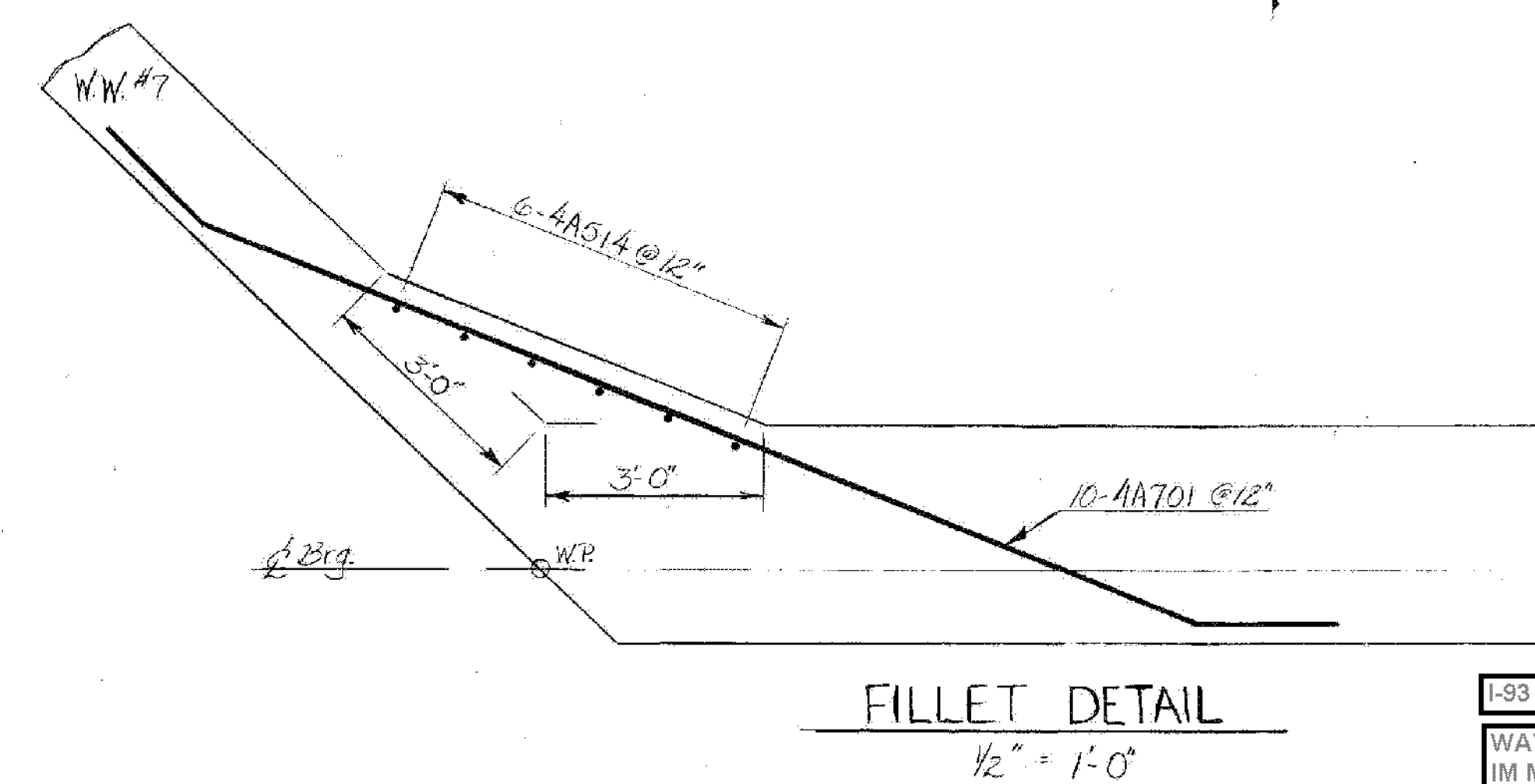
WINGWALL No. 7  
3/8" = 1'-0"



ELEVATION



TYPICAL SECTION



FILLET DETAIL  
1/2" = 1'-0"

WINGWALL No. 8  
3/8" = 1'-0"

NOTE: N.F. = Near Face  
F.F. = Far Face  
E.F. = Each Face

I-93 BRIDGES 1N&S  
WATERFORD  
IM MEMB(31)  
SHEET 23 OF 48  
FOR REFERENCE ONLY

**STATE OF VERMONT  
AGENCY OF TRANSPORTATION**

TOWN OF WATERFORD	Bridge No. 1 NB
HIGHWAY NO. I-93	Log Sta. 18+0
I-93 NB & S.B. Over Vt Rte. 18	
N.B. WINGWALL No. 7 & 8 DETAILS	
Designed by A Elwood	Drawn by R Whitecomb
Checked by GVS	Bridge Design Supervisor R.S. HAUPT
date 5-20-80	date 6-80
PROJECT CONTRACT 1 WATERFORD	PROJECT NO. I93-1(1)
Bridge Sheet No. BR118	Sheet 148 of 489