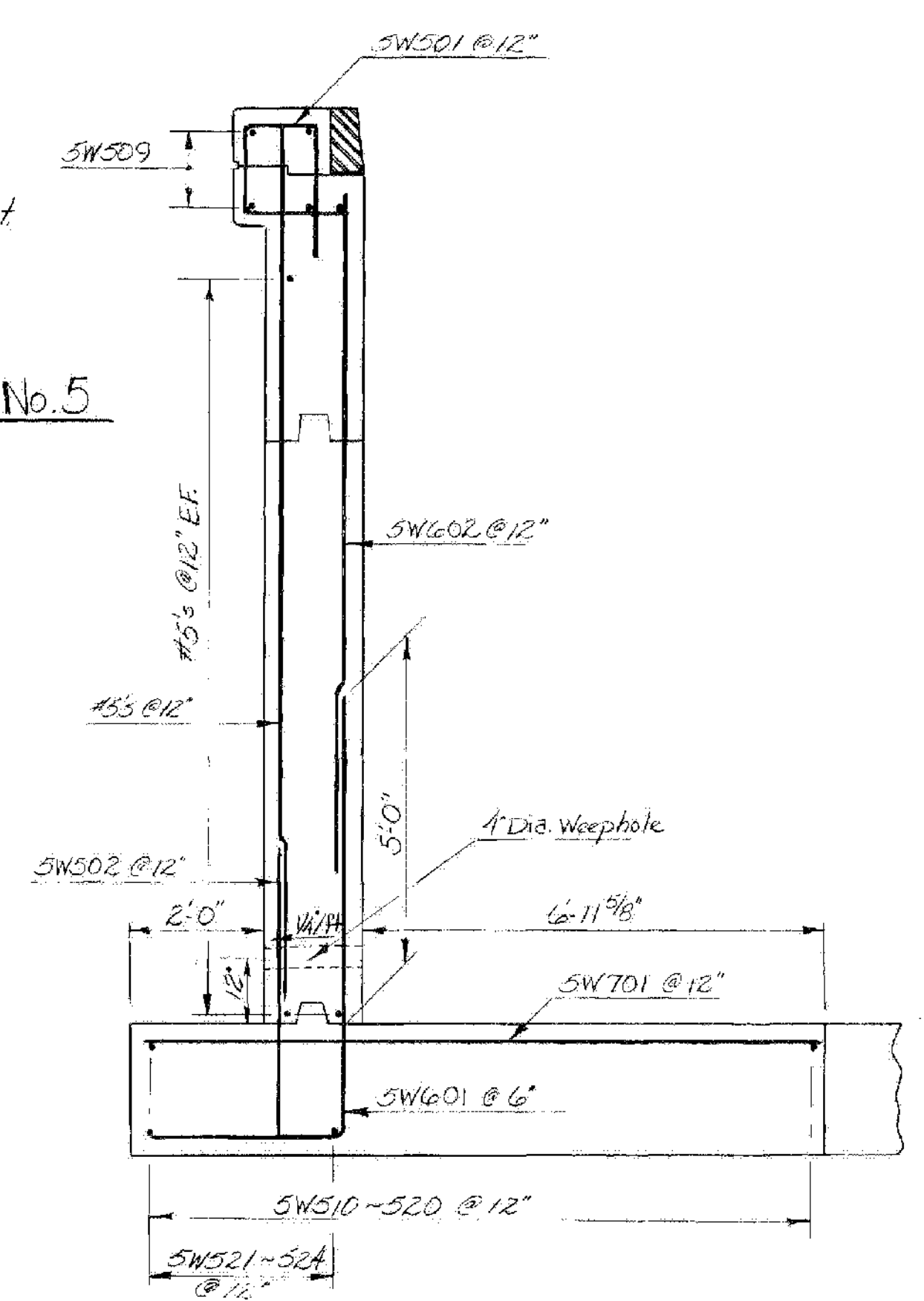
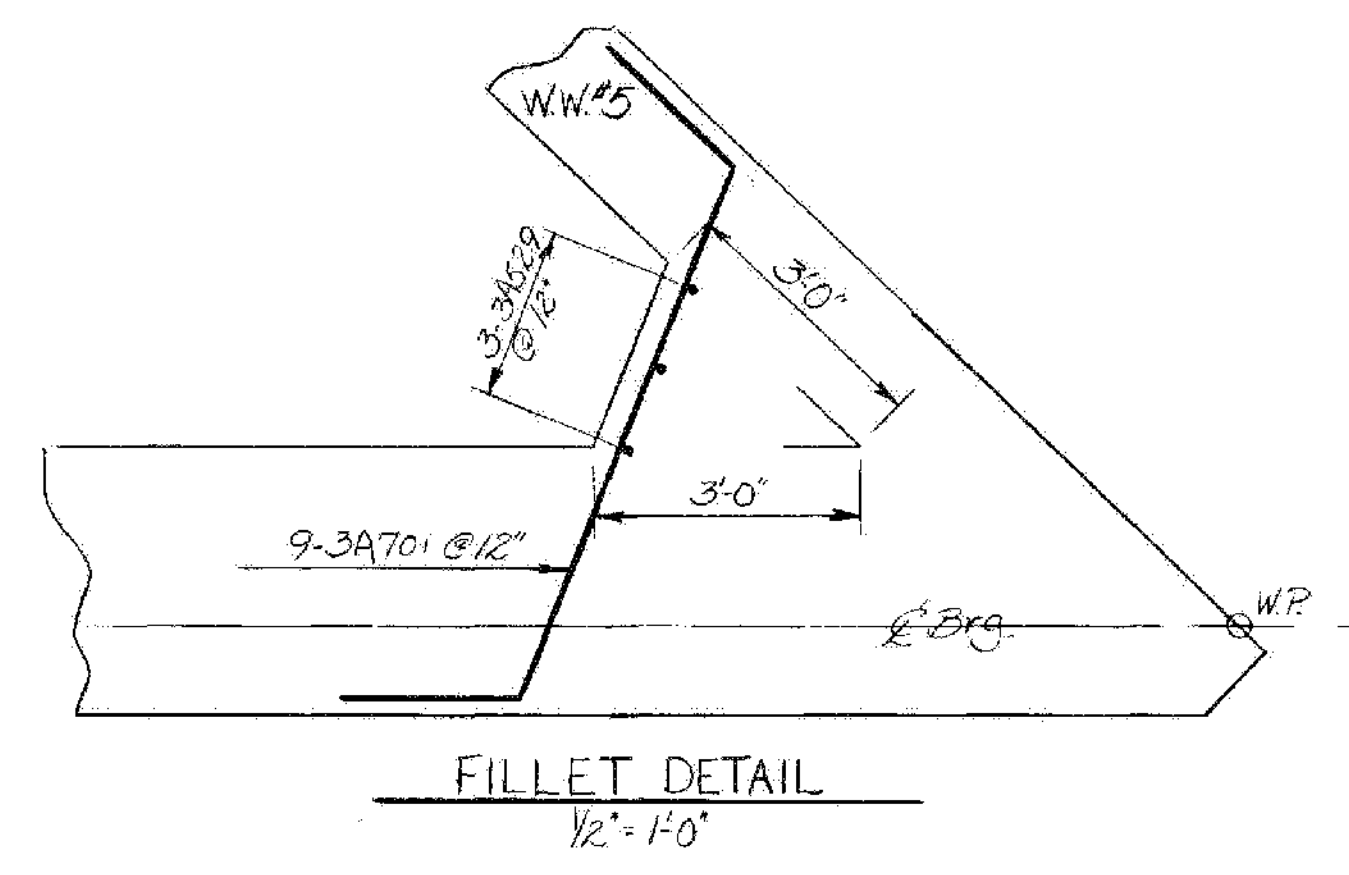


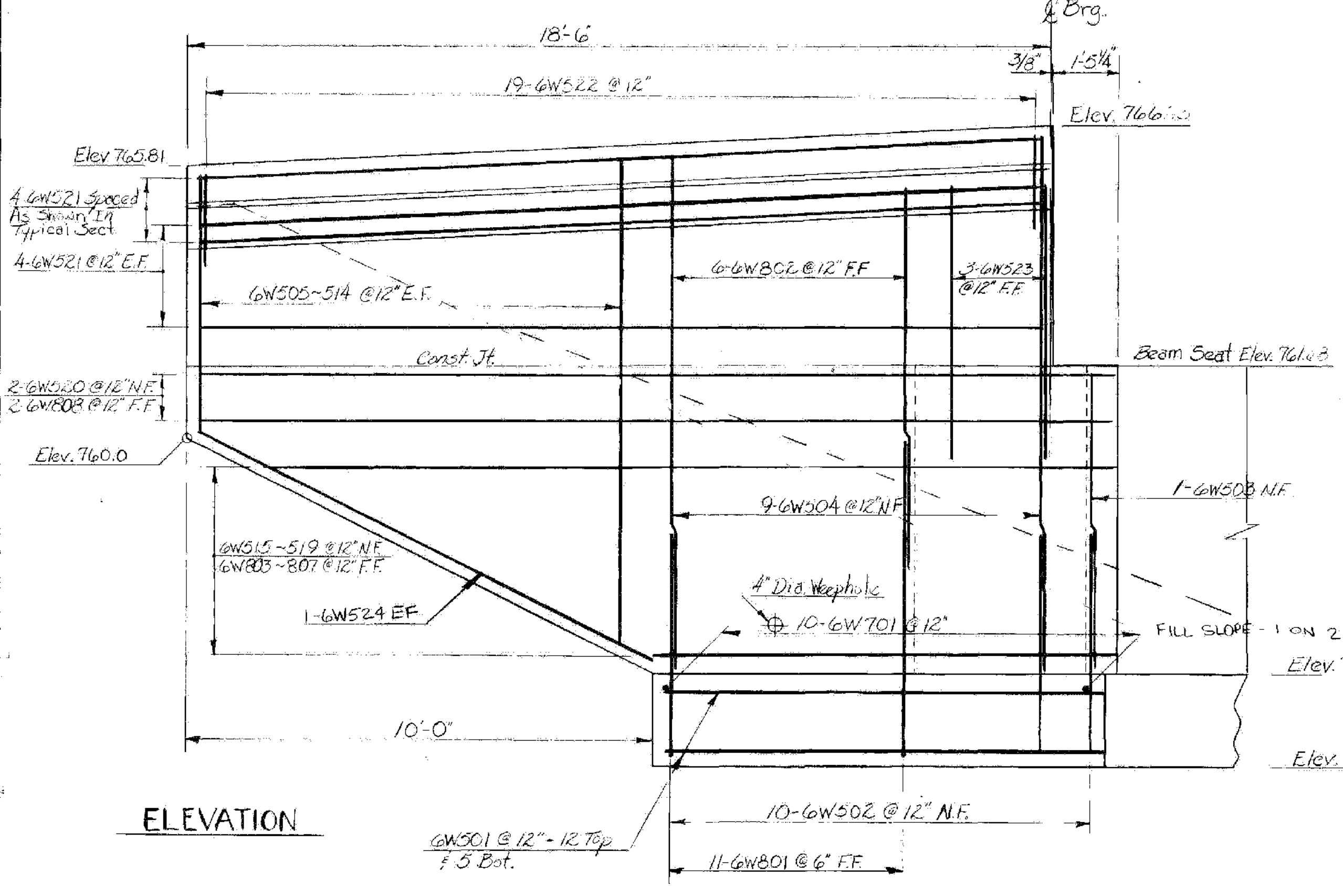
WINGWALL No. 5
1/2" = 1'-0"



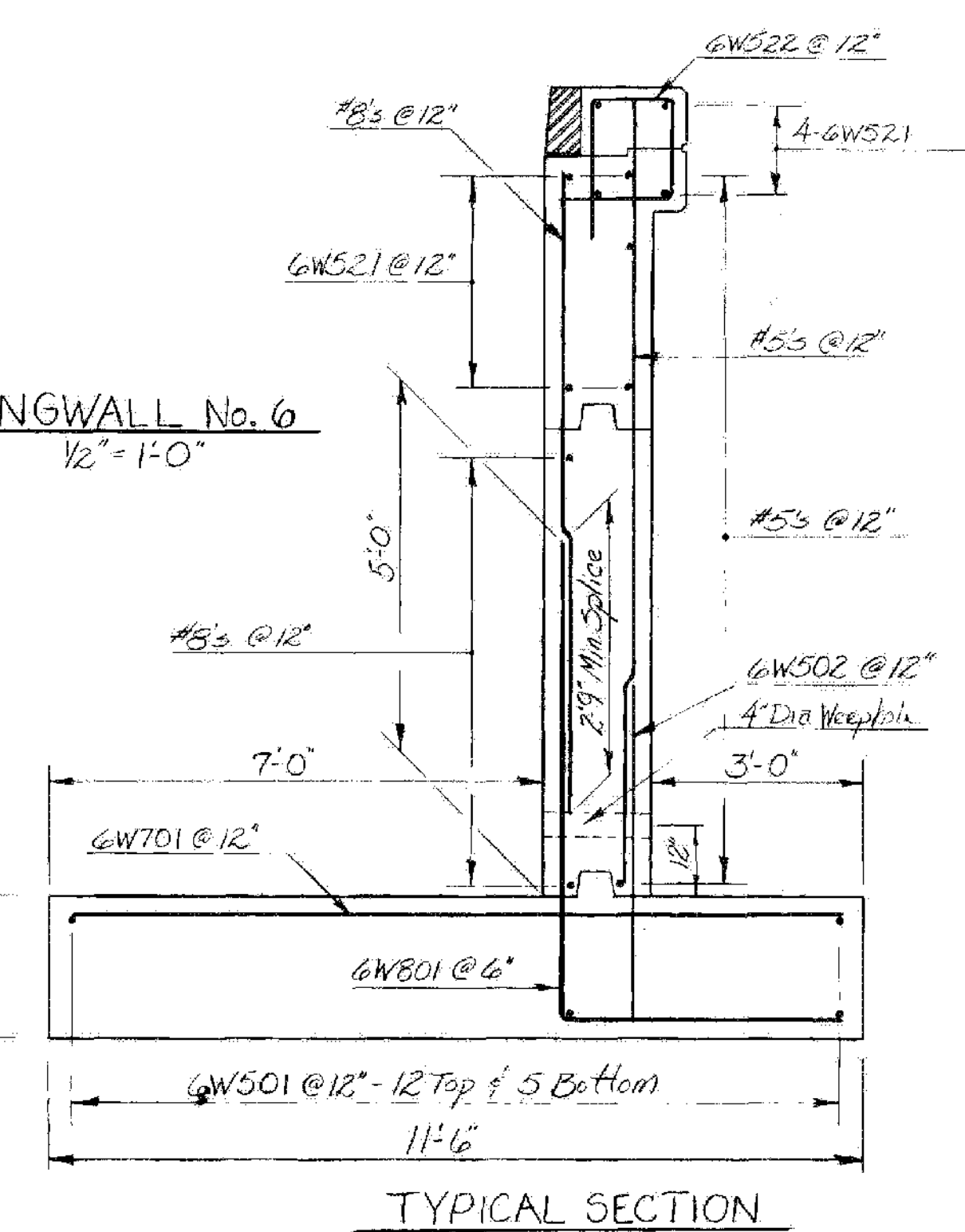
TYPICAL SECTION



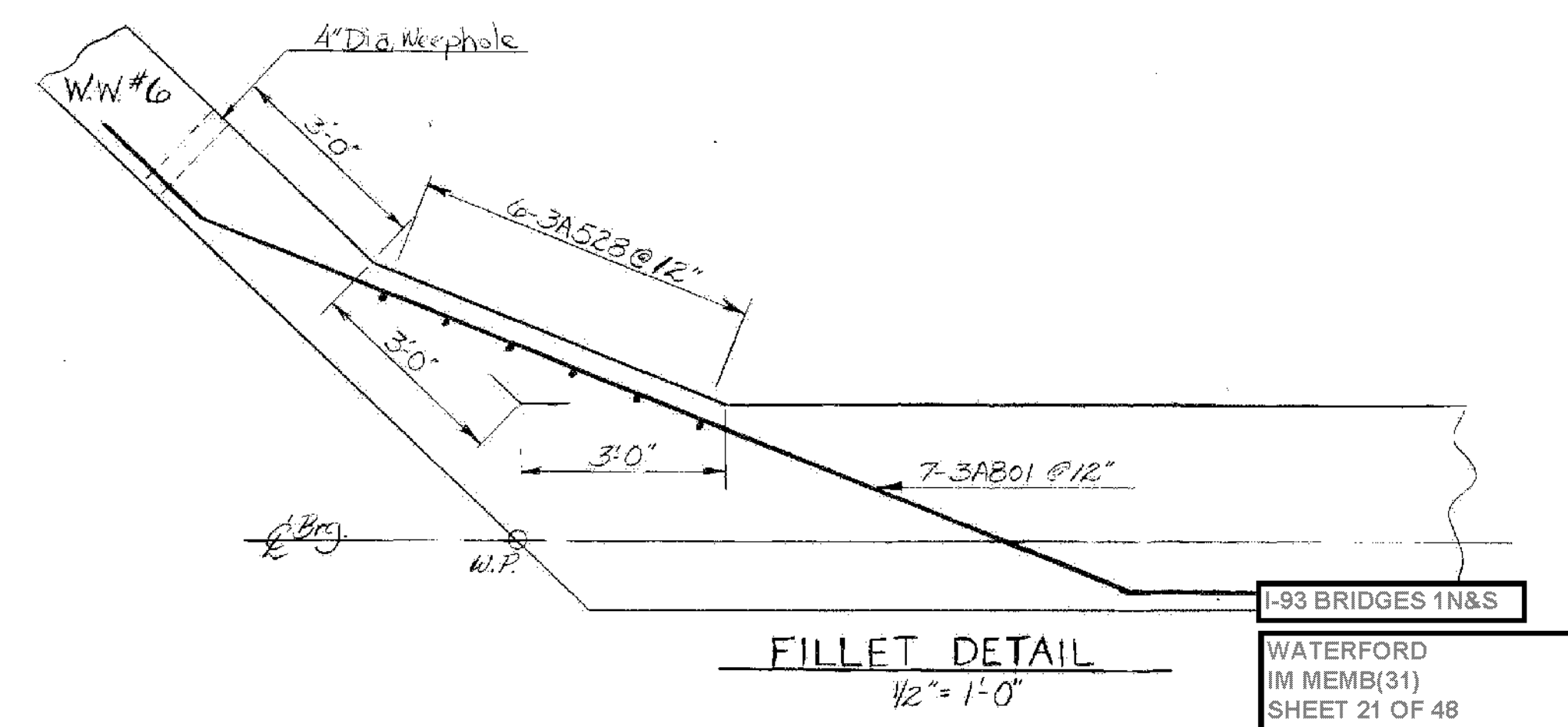
FILLET DETAIL
1/2" = 1'-0"



WINGWALL No. 6
1/2" = 1'-0"



TYPICAL SECTION



FILLET DETAIL
1/2" = 1'-0"

STATE OF VERMONT AGENCY OF TRANSPORTATION	
TOWN OF WATERFORD	Bridge No. 1 NB
HIGHWAY NO. I93	Log Sta. 2870
I93 N.B. #5.B. Over Vt. Rte. 18 N.B. WINGWALL No. 5 & 6 DETAILS	
Designed by A. Elwood	Drawn by K. Whitcomb
Checked by GVS date 5-23-80	Bridge Design Supervisor: R.S. HAUPT date 6-80
PROJECT CONTRACT 1 WATERFORD	PROJECT NO. I93-1(3)
Bridge Sheet No. BR116	Sheet 146 of 487

NOTE: N.F. = Near Face
F.F. = Far Face
E.F. = Each Face