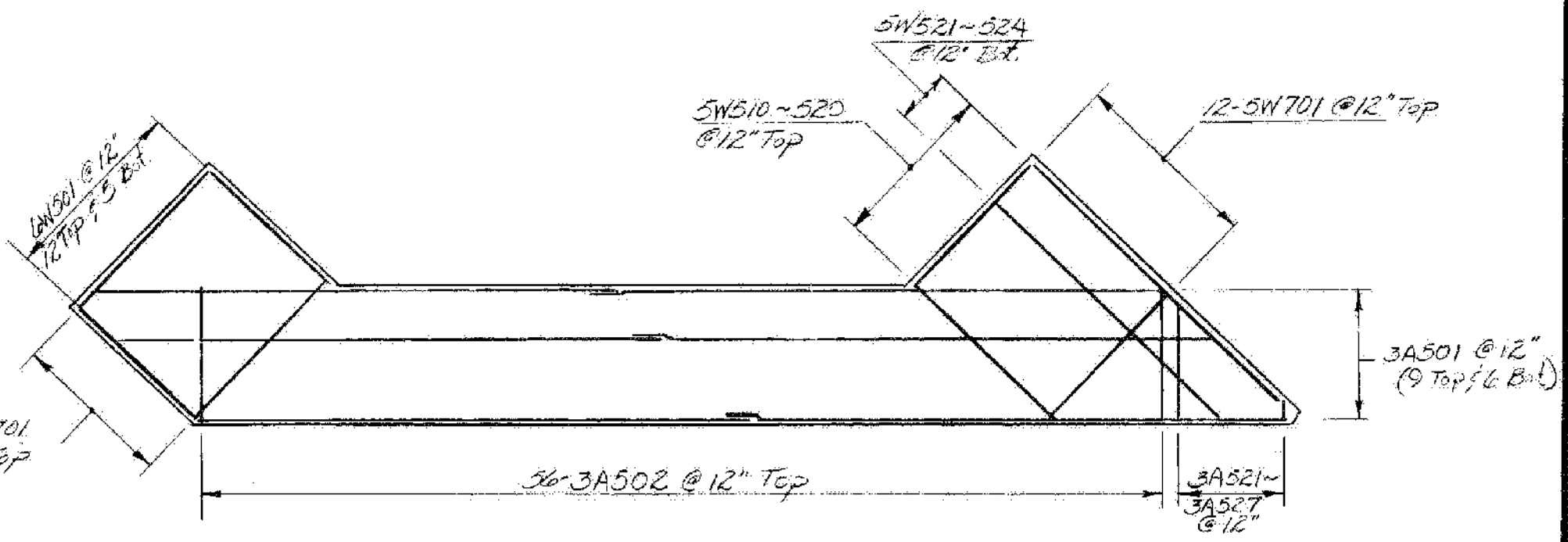
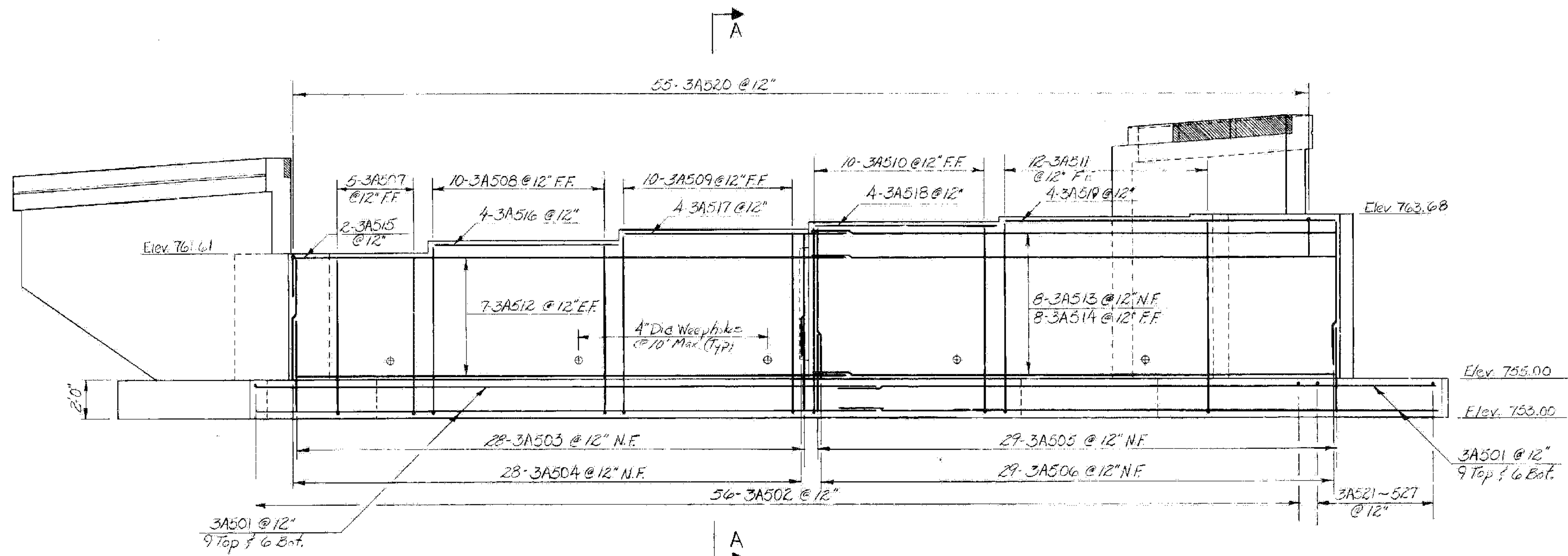


* Dimensions shown are to W.P. Dimension to wingwall (conc) from corner of abut. is 1'-4 7/8"

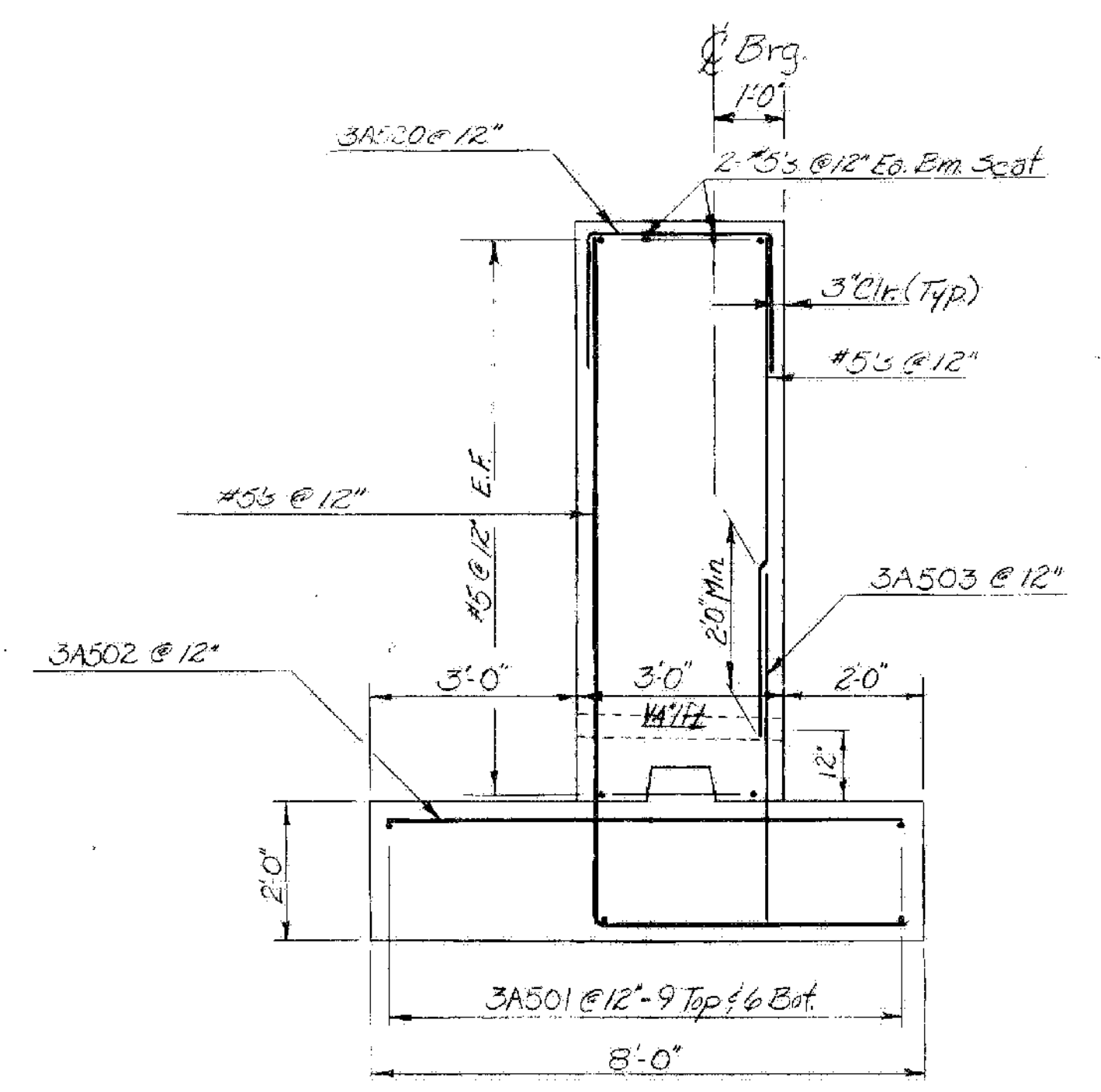
ABUT. 3 - PLAN
Scale: 1/4" = 1'-0"



FOOTING REINFORCING PLAN
Scale 1/8" = 1'-0"



ABUT. 3 - ELEV.
Scale: 1/4" = 1'-0"



SECT. A-A
Scale 1/2" = 1'-0"

Note:
N.F. = Near Face
F.F. = Far Face
E.F. = Each Face

STATE OF VERMONT		I-93 BRIDGES 1N&S	
AGENCY OF TRANSPORTATION		WATERFORD IM MEMB(31) SHEET 20 OF 48 FOR REFERENCE ONLY	
TOWN OF	WATERFORD	Bridge No.	1 NB
HIGHWAY NO.	I93	Log Sta.	
		Surv. Sta.	28+0
I93 N.B. / S.B. Over Vt. Rte. 18			
N.B. ABUT. 3 DETAILS			
Designed by	A. Elwood	Drawn by	R. Whitcomb
Checked by	G.V.S.	Bridge Design Supervisor	R.S. HAUPT
	date 5-22-80	date	6-80
PROJECT	CONTRACT I WATERFORD	PROJECT NO.	I93-1(3)
Bridge Sheet No.	BR 116	Sheet	145 of 489