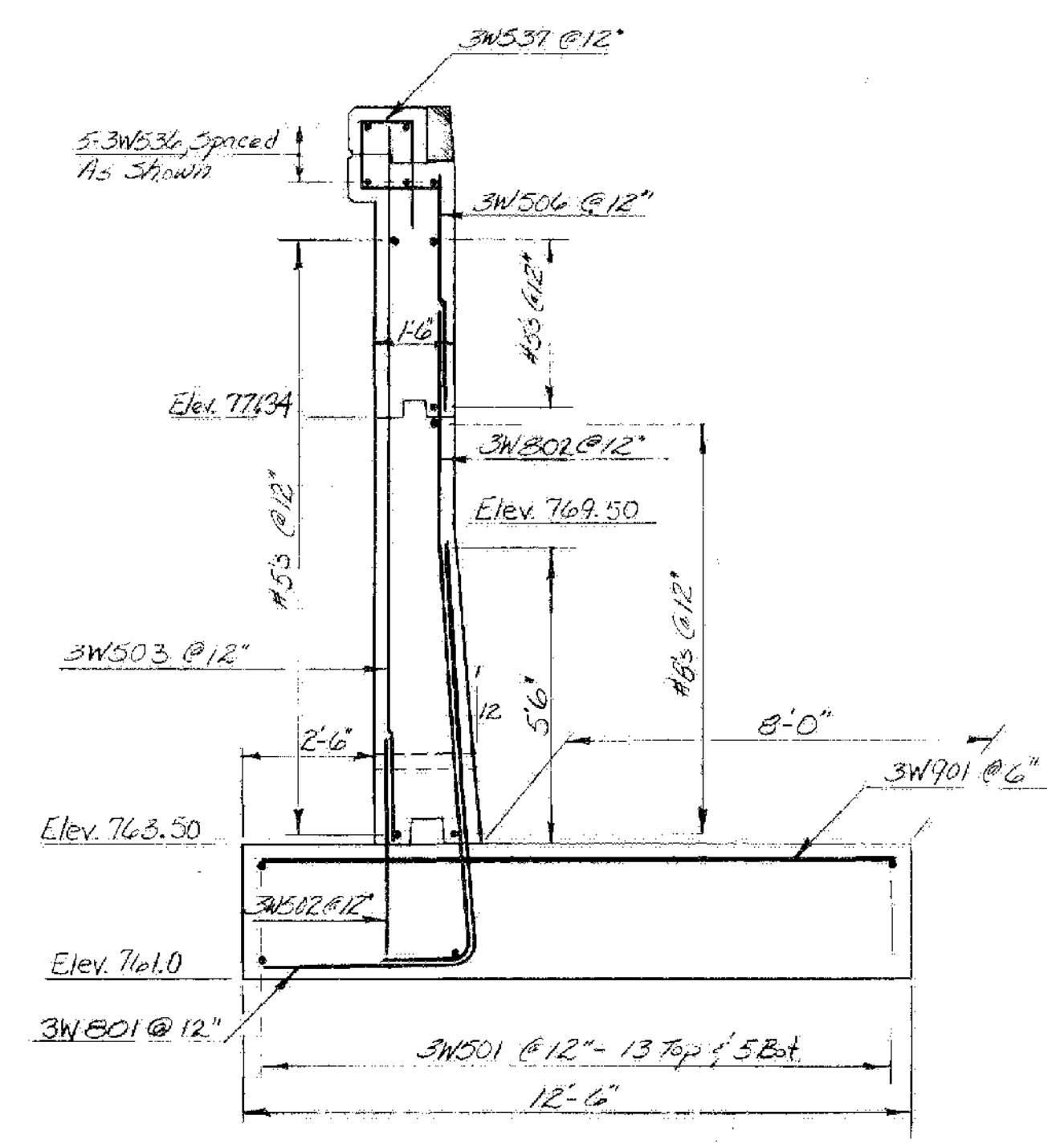
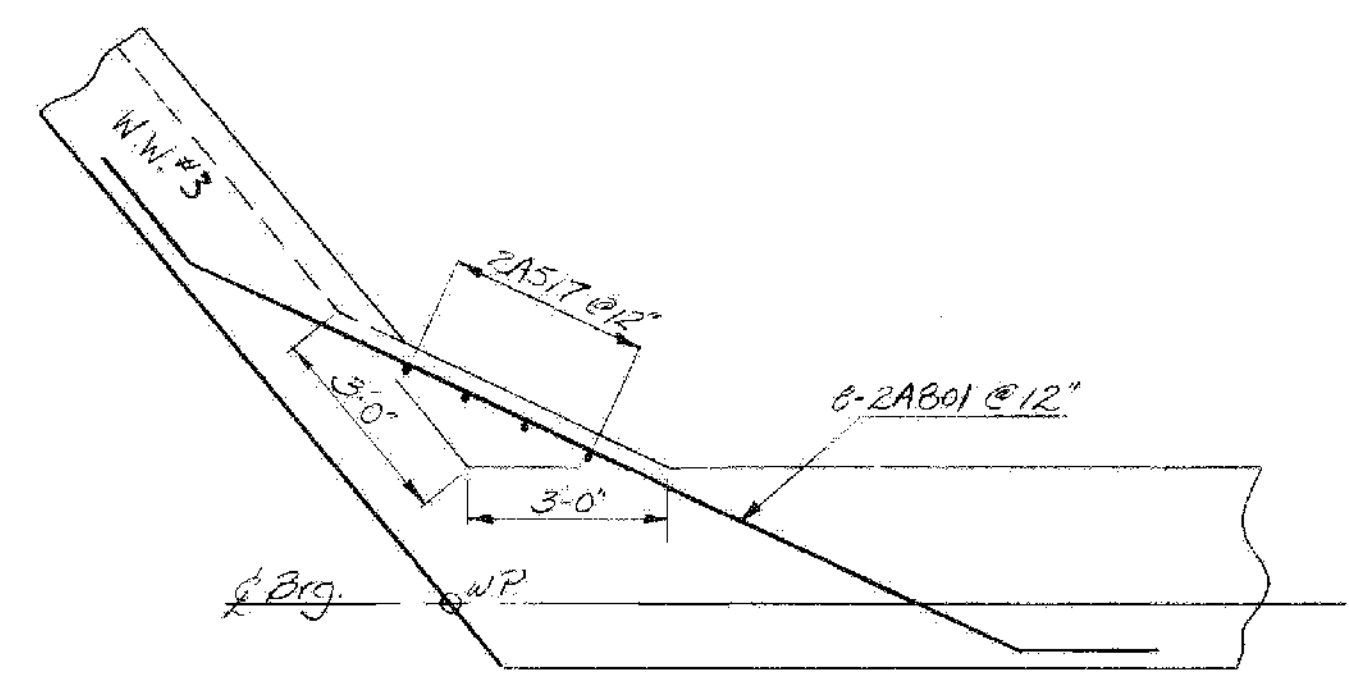


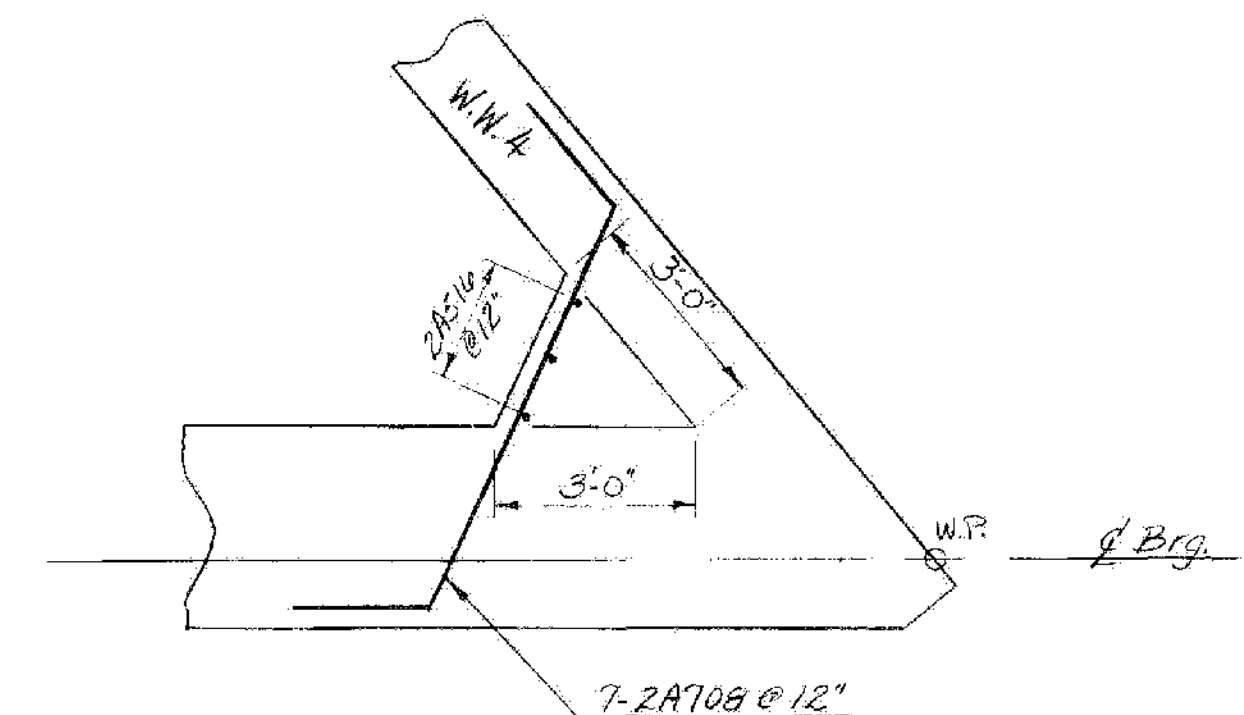
ELEVATION
WINGWALL No. 3
 3/8" = 1'-0"



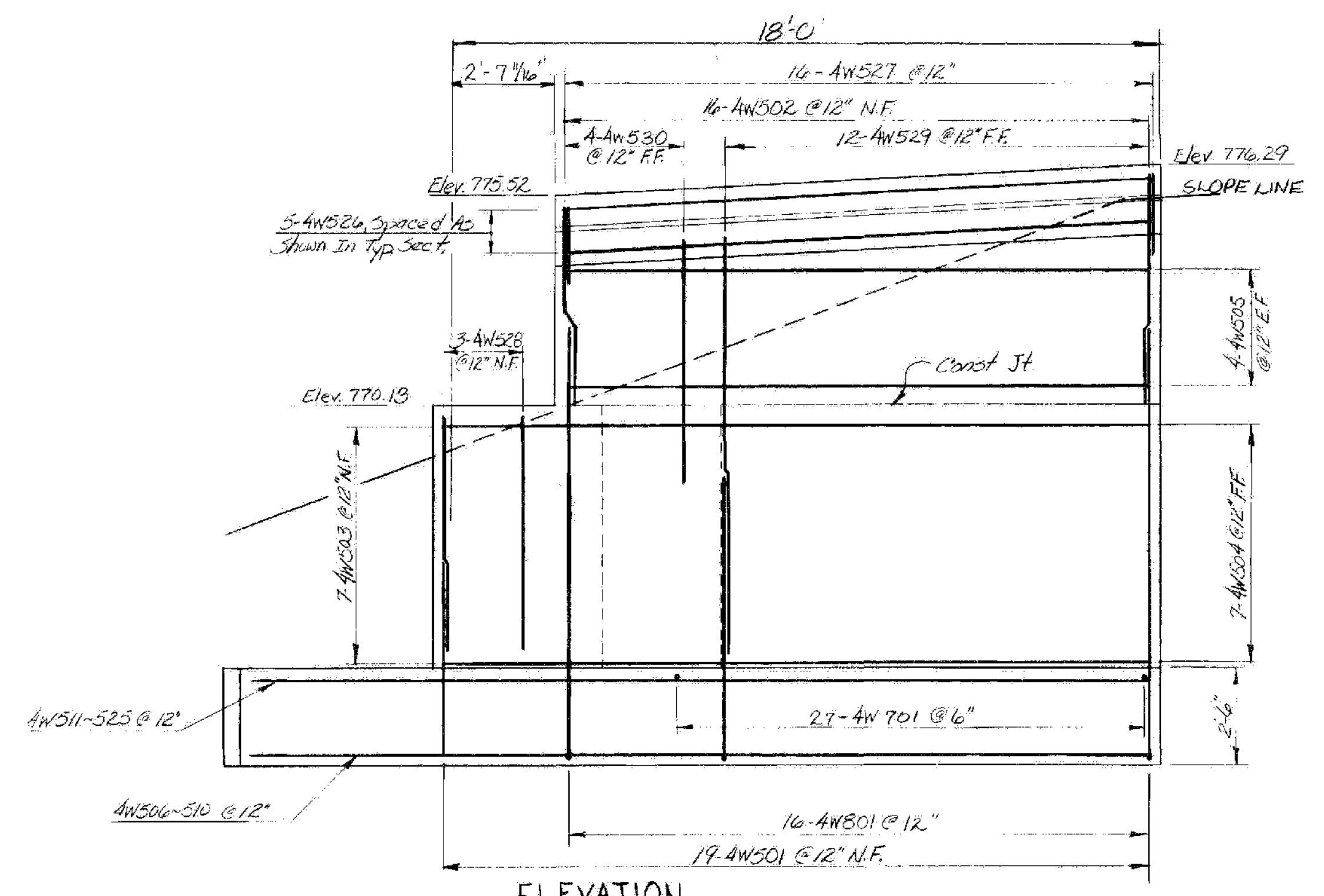
TYPICAL SECTION



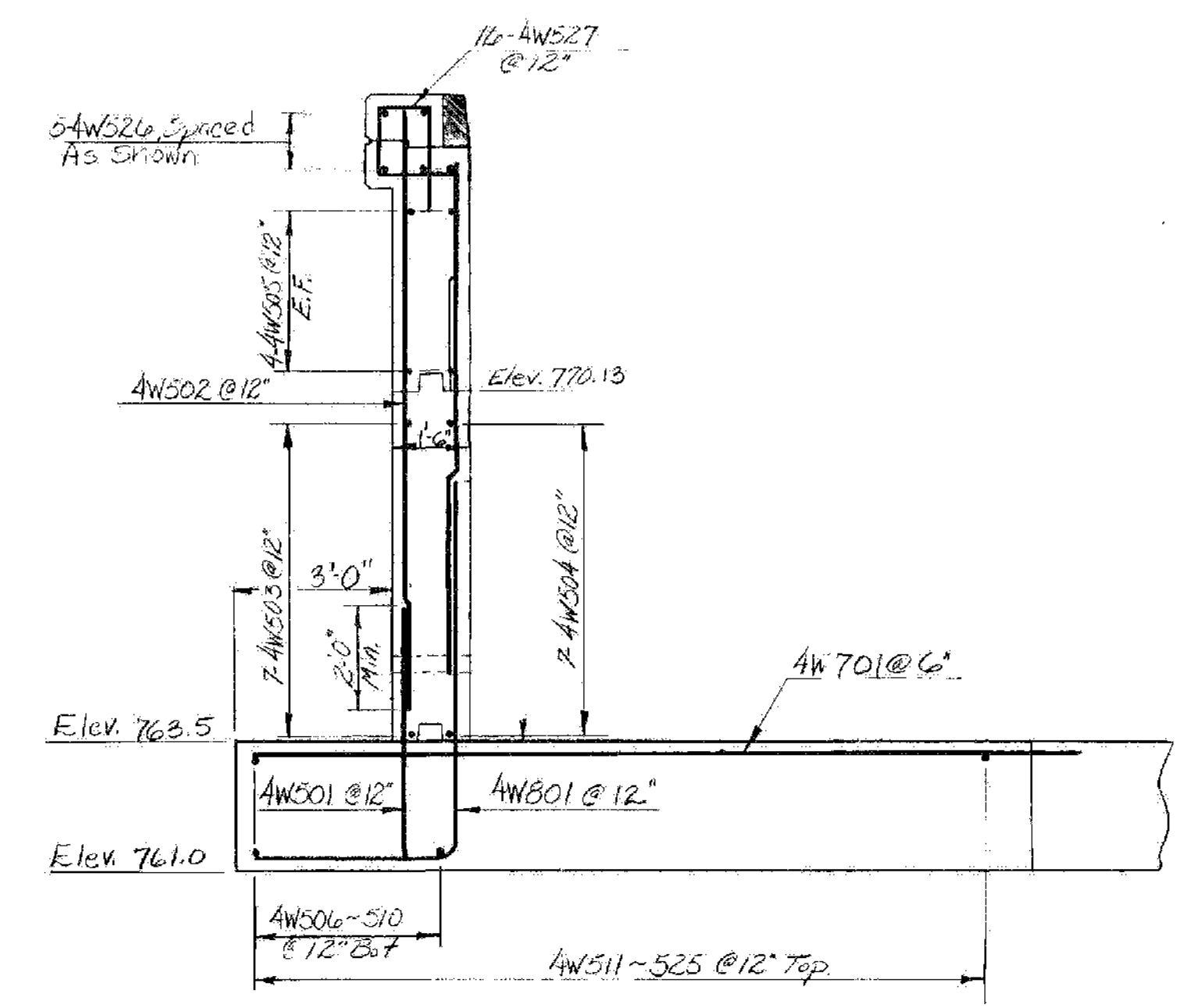
FILLET DETAIL
 3/8" = 1'-0"



FILLET DETAIL
 3/8" = 1'-0"



ELEVATION
WINGWALL No. 4
 3/8" = 1'-0"



TYPICAL SECTION

I-93 BRIDGES 1N&S
 WATERFORD
 IM MEMB(31)
 SHEET 19 OF 48
 FOR REFERENCE ONLY

STATE OF VERMONT	
AGENCY OF TRANSPORTATION	
TOWN OF WATERFORD	Bridge No. 1 SB
HIGHWAY NO. I93	Log Sta. Surv. Sta. 28+0
I93 N.B. # SB Over Vt. Rte 18	
S.B. WINGWALLS No 3 & 4 DETAILS	
Designed by G. Spilak	Drawn by R. Whitcomb
Checked by A. Elwood date 6-80	Bridge Design Supervisor R.S. HAUPT date 6-80
PROJECT CONTRACT I WATERFORD	PROJECT NO. I93-1(3)
Bridge Sheet No. BR14	Sheet 144 of 489