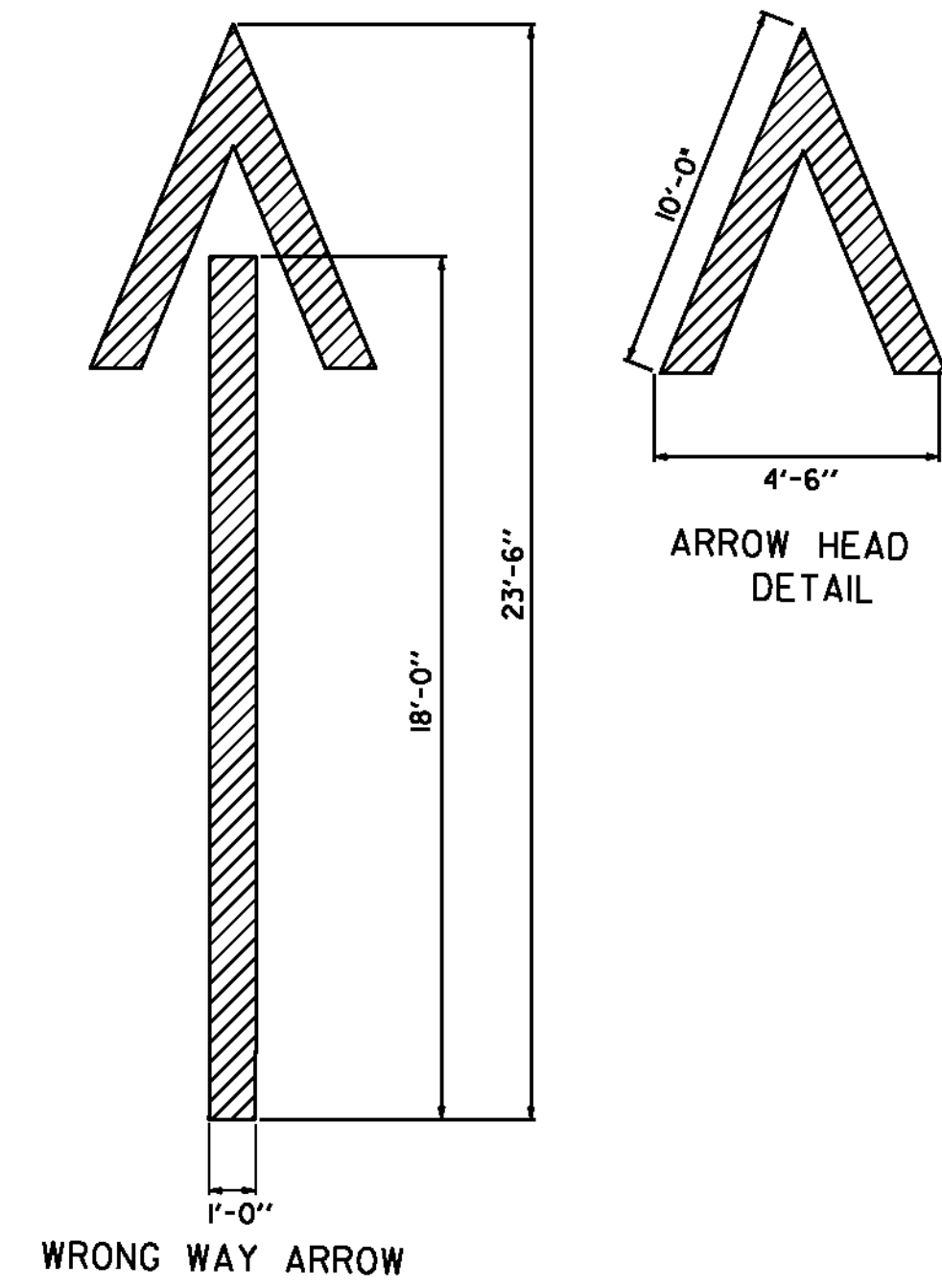
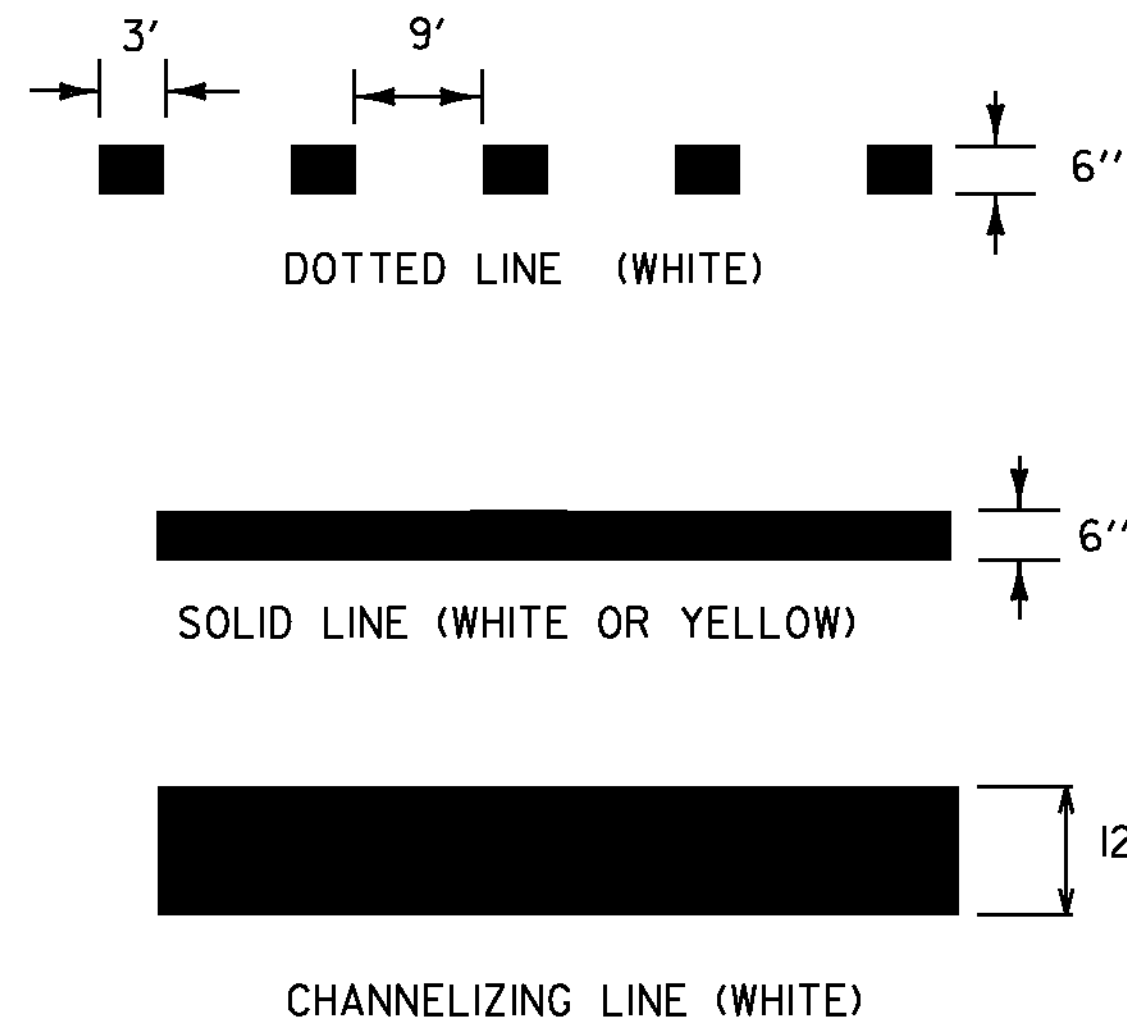


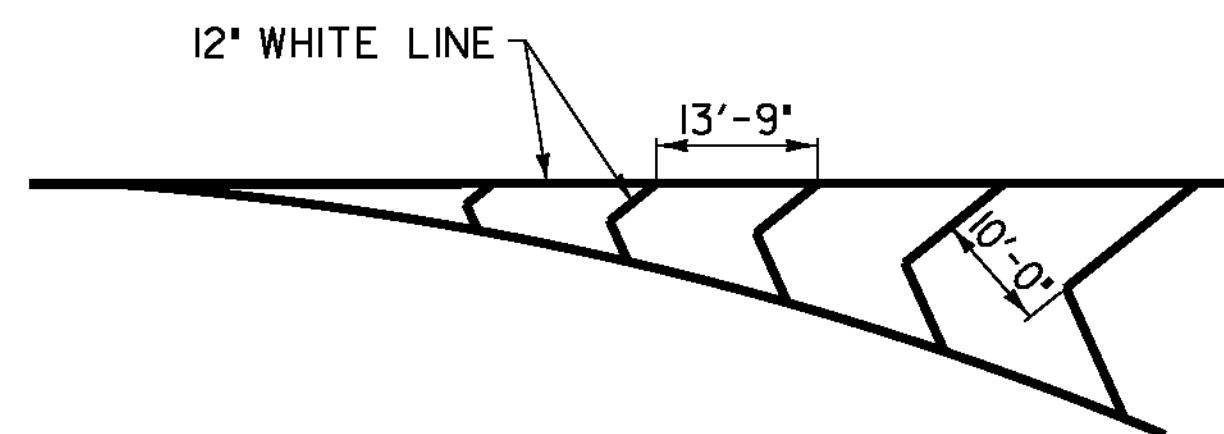
TYPICAL PAVEMENT MARKINGS



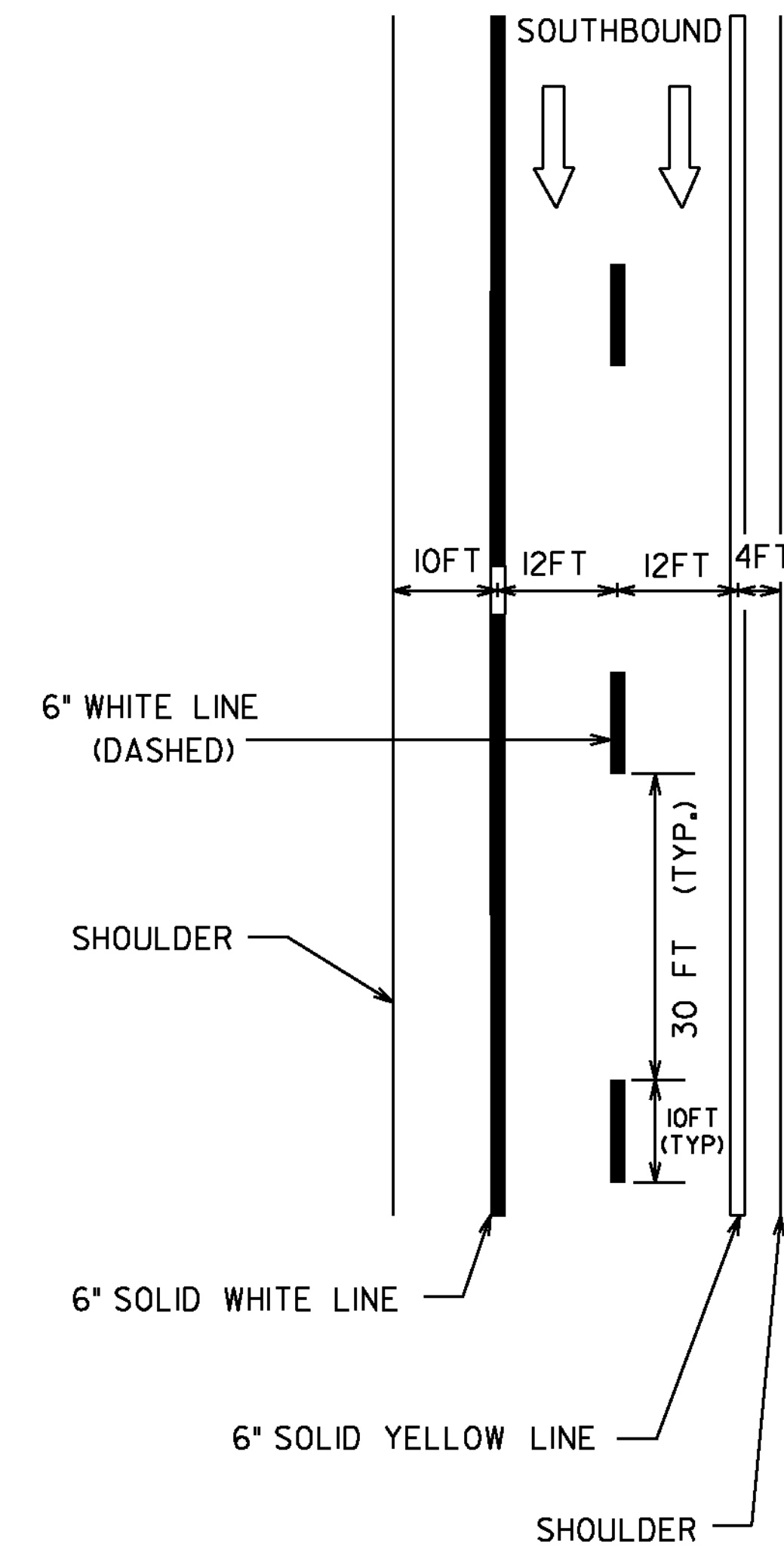
WRONG WAY ARROW DETAIL



PAVEMENT MARKING LINE DETAILS



GORE MARKING DETAIL



TYPICAL MAINLINE MARKING PLAN

LEGEND



NOTES:

1. TWO (2) APPLICATIONS OF FINAL PAVEMENT MARKINGS WILL BE REQUIRED. SEE SPECIAL PROVISIONS FOR COMPLETION DATE REQUIREMENTS.

NOT TO SCALE

PAVEMENT MARKING DETAIL SHEET	PROJECT NAME: NORWICH - BRADFORD
	PROJECT NUMBER: IM SURF (3I)
	FILE NAME: /pave/11a030/plla030.dgn
	PLOT DATE: 22-FEB-2012
PROJECT LEADER: MIKE FOWLER	DRAWN BY: WILDER
DESIGNED BY: WILDER	CHECKED BY: PVMT MGMT
IPARM FILE NAME: plla030_08.l	SHEET 8 OF 19