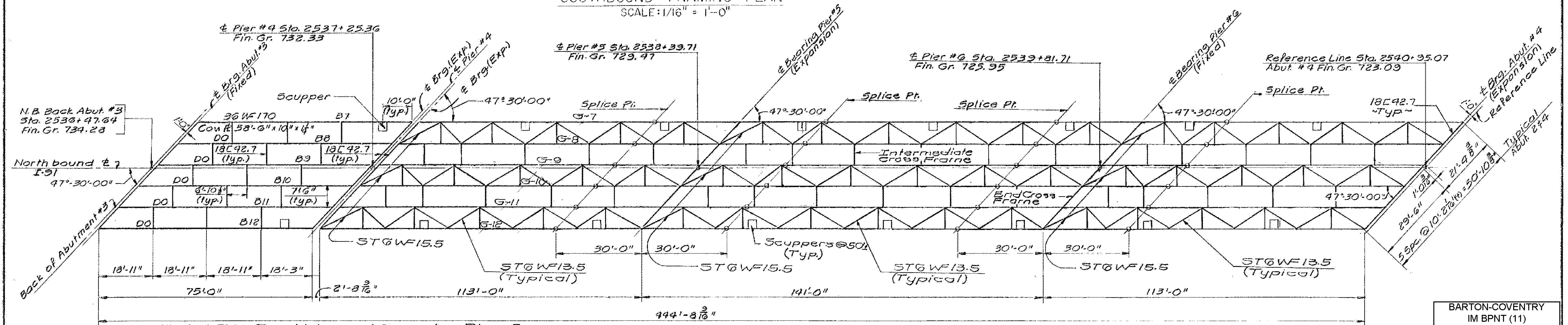
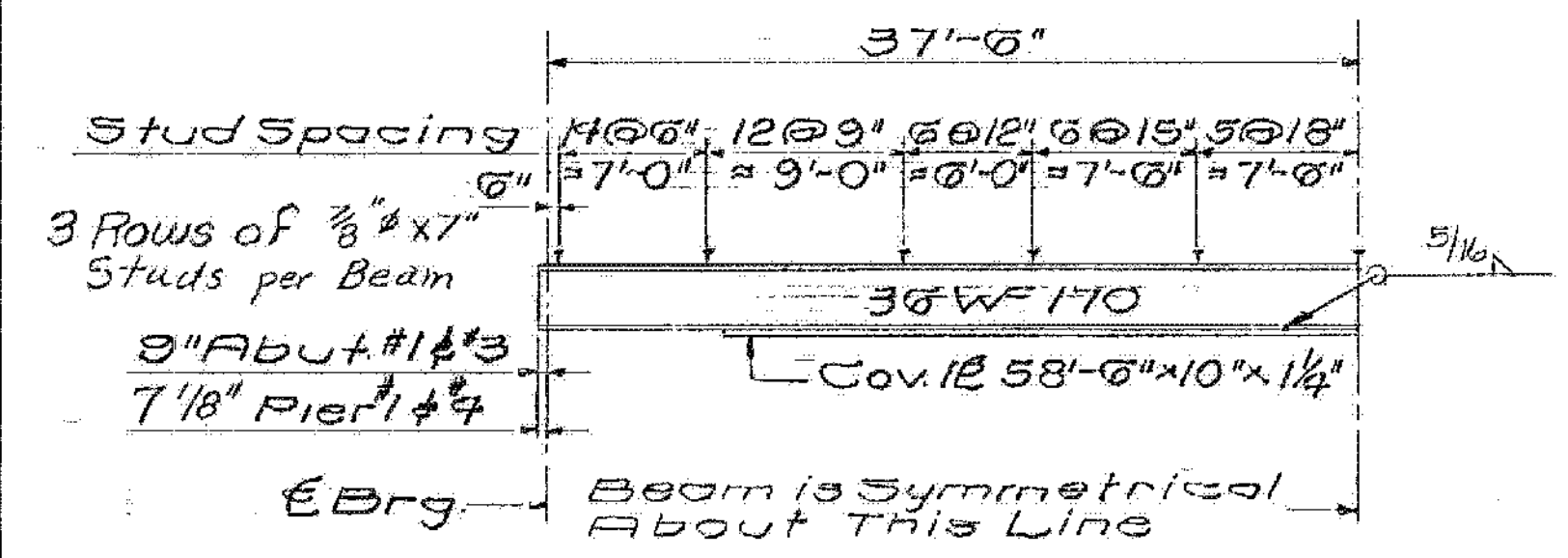


SOUTHBOUND FRAMING PLAN
SCALE: 1/16" = 1'-0"

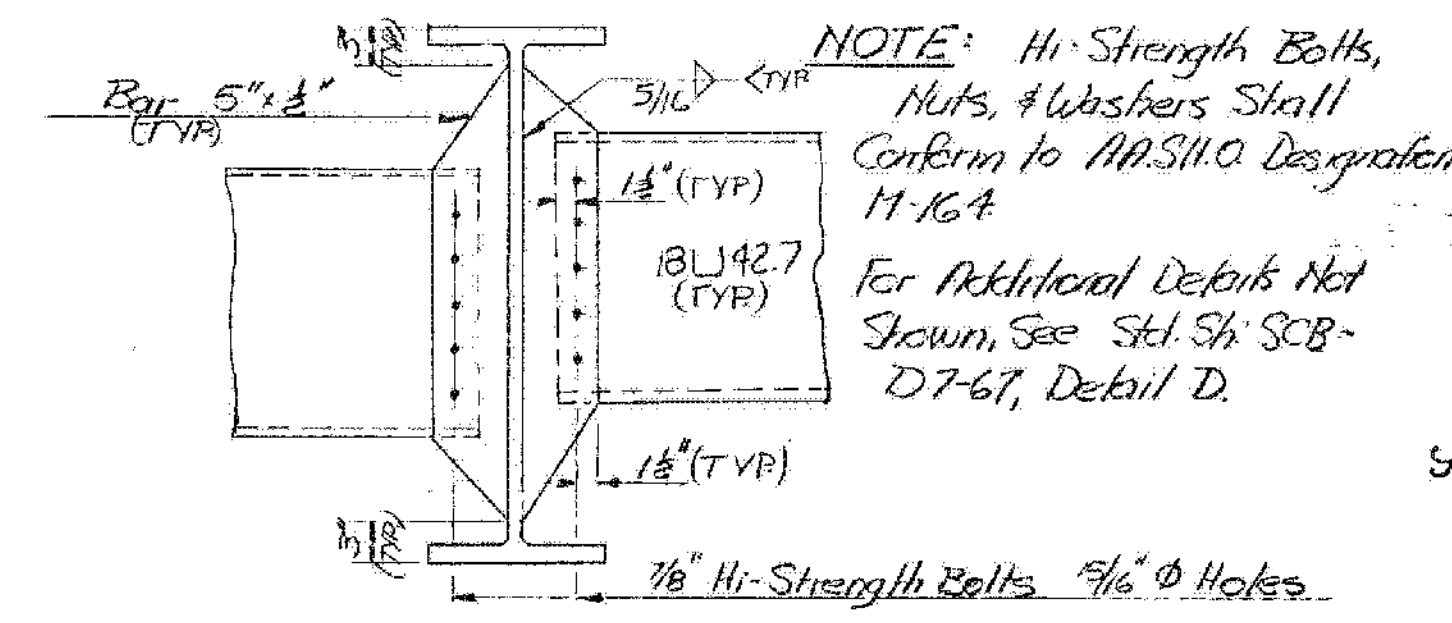


NORTHBOUND FRAMING PLAN
SCALE: 1/16" = 1'-0"

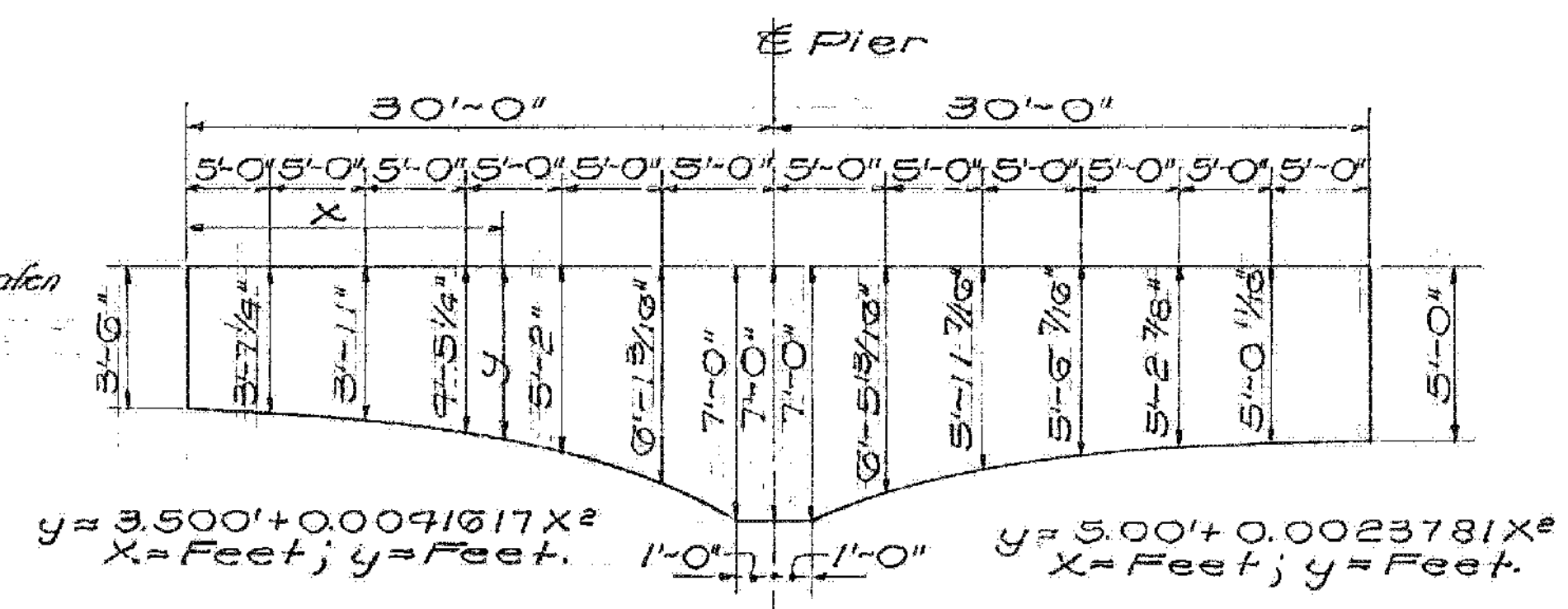
Note: See Southbound Framing Plan for Cross Frame and Lateral Bracing Dimensions.



BEAM HALF ELEVATION B-1 THRU B-12
SCALE: 1/8" = 1'-0"



INTERMEDIATE DIAPHRAGM CONNECTION FOR ROLLED BEAM SECTION
1" = 1'-0"



PARABOLIC HAUNCH DETAIL
N.T.S.

BARTON-COVENTRY
IM BPNT (11)
SHEET 59 OF 84
BRIDGE 107S
FOR REFERENCE ONLY

Br. 107 of 129

STATE OF VERMONT
DEPARTMENT OF HIGHWAYS

PROJECT: IRASBURG-DEBBY
TOWN OF: IRASBURG
Route No. I-91 Sta. 2539±
I-91 OVER BARTON RIVER AND SA#3

FRAMING PLAN AND GIRDER DETAILS
SCALE AS NOTED
IN CHARGE: C. TRENZIO

DRAWN BY: JMB CHECKED BY: A. CENTORE
PROJECT No. 191-3(8) 9-67
SHEET 176 OF 605 BR.107

See Letter from Edwards & Kelley
5-2-63 Cross Frame Spacing
Added; Diaphragm Connection
Detail Changed 7-25-65-511-9