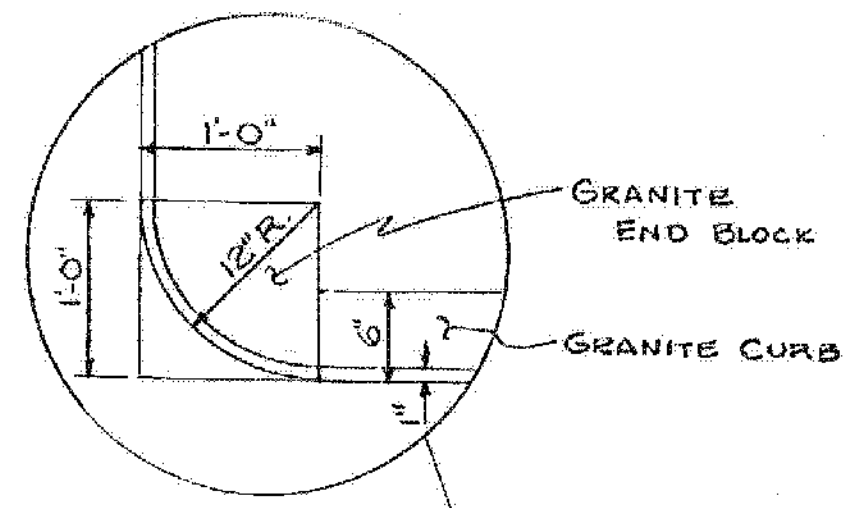
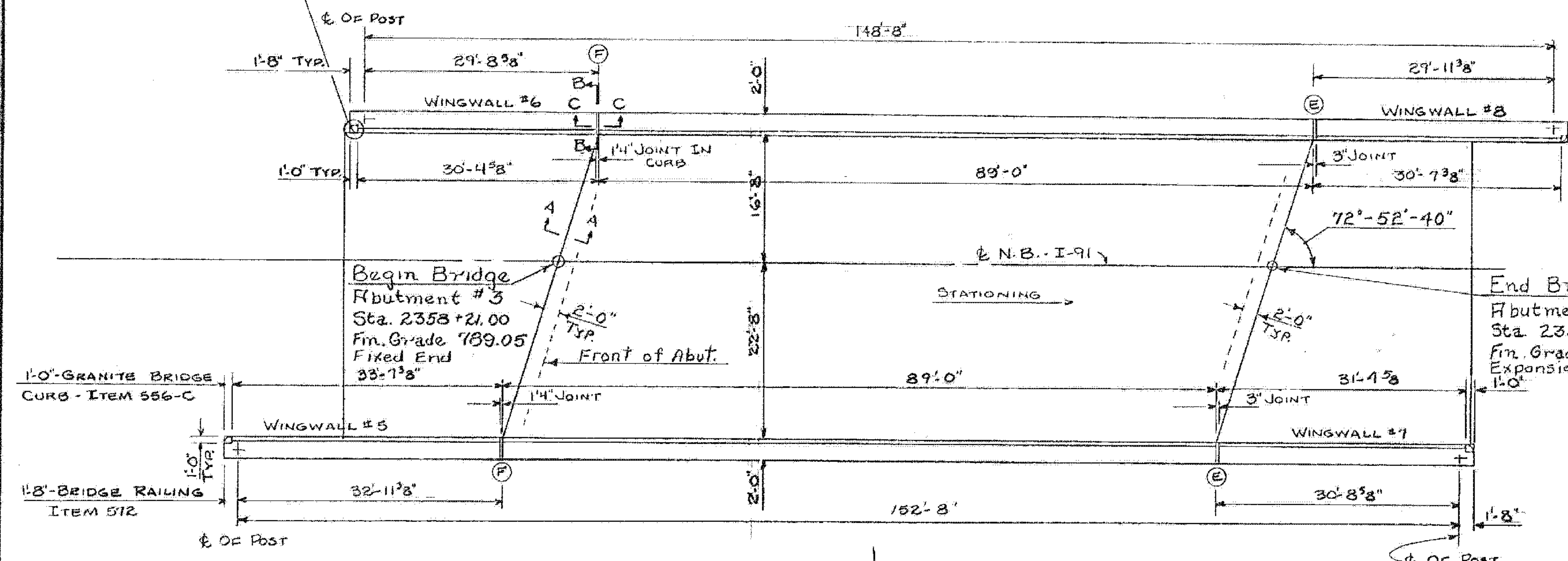


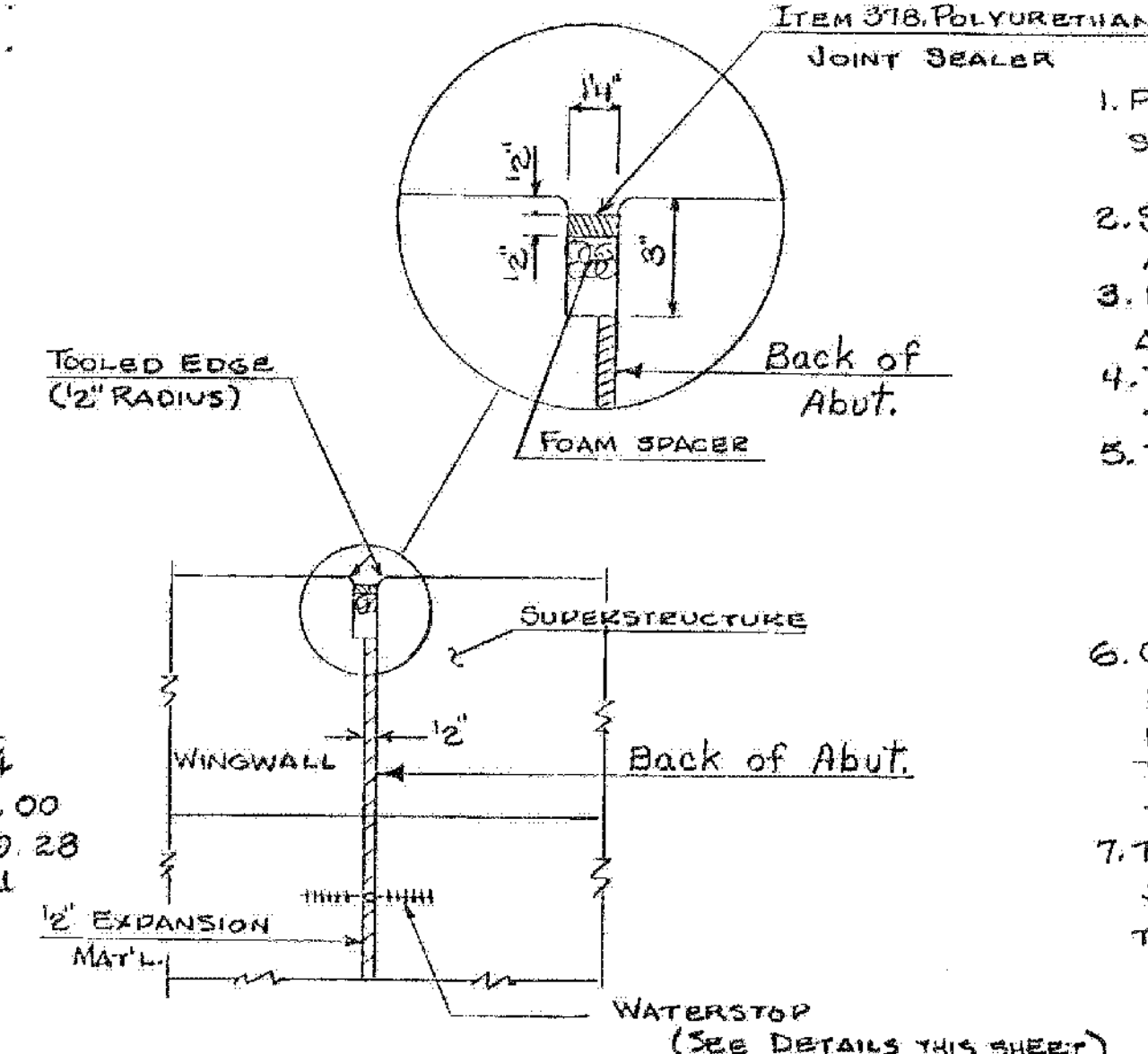
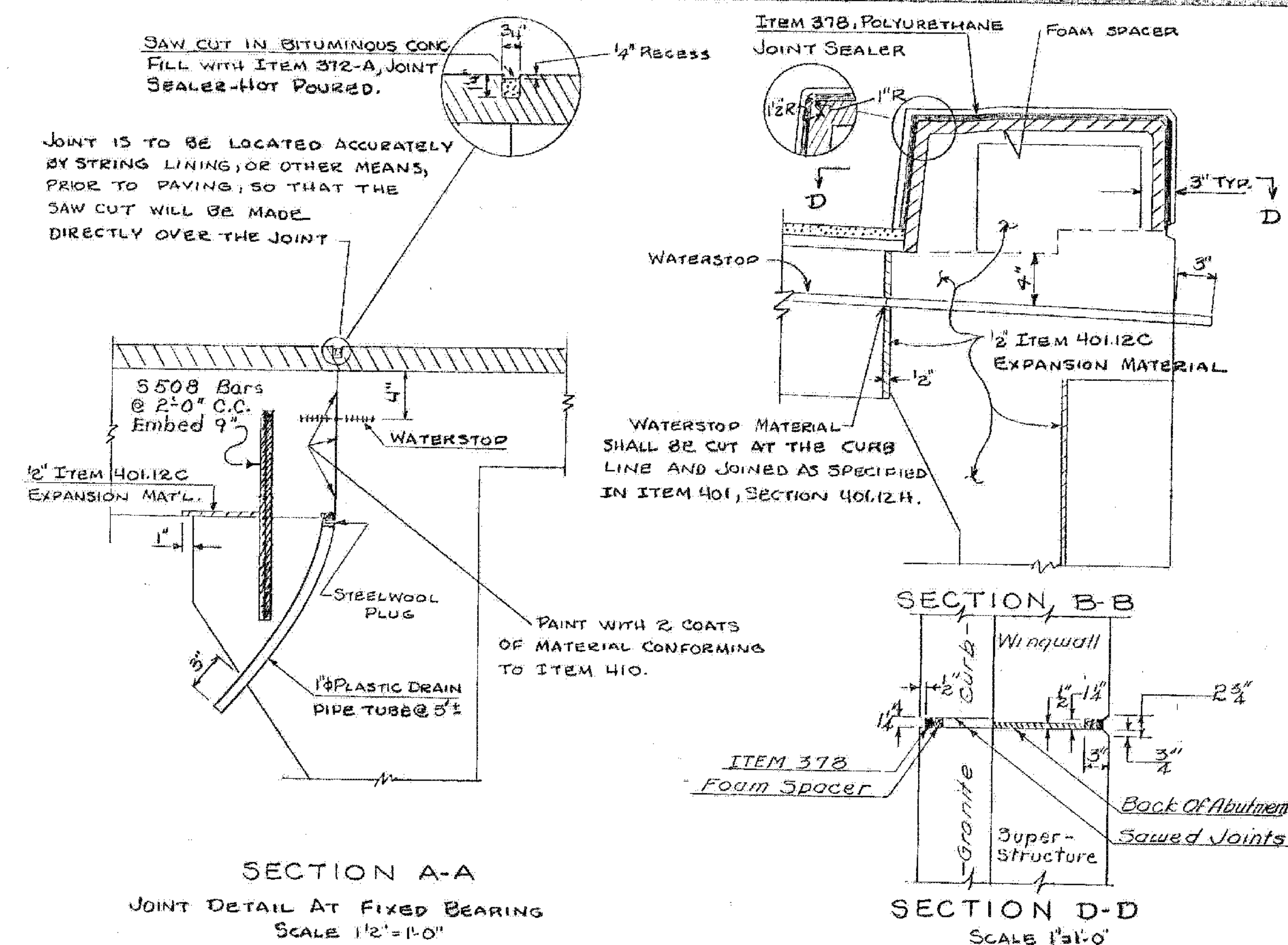
SOUTHBOUND CURB & RAILING PLAN
NOT TO SCALE



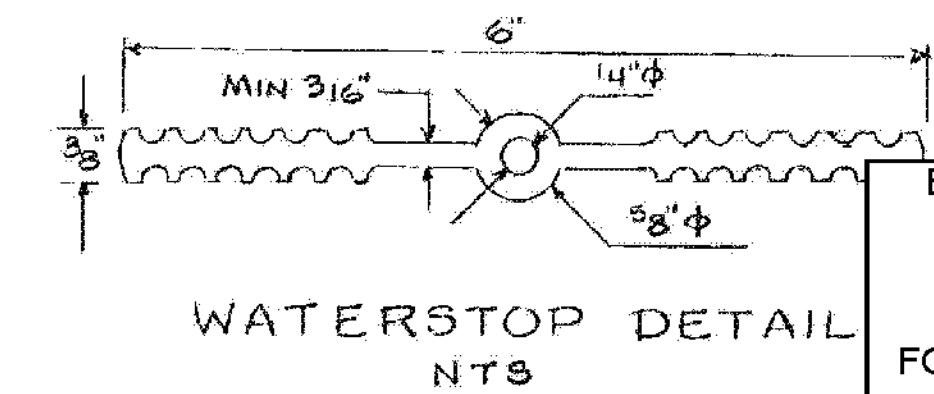
BRIDGE RAILING JOINTS
 (E) PROVIDE 1'-2" EXPANSION IN RAILING ACROSS THIS JOINT.
 (C) PROVIDE 3'-4" EXPANSION IN RAILING ACROSS THIS JOINT.



NORTHBOUND CURB & RAILING PLAN
NOT TO SCALE



- NOTES**
1. FOR BRIDGE RAILING DETAILS SEE STANDARD SHEET SB-R1-64, SHEETS 1 & 2.
 2. SEE STANDARD SHEETS 68 AND 69 FOR APPROACH RAILING DETAILS.
 3. EXPANSION JOINT DETAILS IN THE CURB SECTIONS ARE SHOWN ON SHEETS BR-613.
 4. THE GRANITE CURB SHALL BE SAWED AT THE FIXED AND EXPANSION JOINTS.
 5. THE WATERSTOP SHALL BE POLYVINYL CHLORIDE AS SPECIFIED IN ITEM 401.24. OTHER CONFIGURATIONS, WITH MINOR VARIATIONS, MAY BE USED WITH THE APPROVAL OF THE BRIDGE ENGINEER. (Refer to Special Provisions @ 401.12 H)
 6. COST OF THE WATERSTOP AND PAINT WATERPROOFING SHALL BE INCLUDED IN THE UNIT PRICE BID FOR ITEM 401-A, CONCRETE CL. A-A. THE PAINT WATERPROOFING SHALL CONFORM TO THE SPECIFICATIONS FOR ITEM 410.
 7. THE CONTRACTOR SHALL PROVIDE ADEQUATE SUPPORT TO MAINTAIN PROPER ALIGNMENT OF THE WATERSTOP DURING CONSTRUCTION.



BARTON-COVENTRY
IM BPNT (11)
SHEET 41 OF 84
BRIDGES 105N&S
FOR REFERENCE ONLY
Stage I Construction

STATE OF VERMONT	
DEPARTMENT OF HIGHWAYS	
PROJECT: BARTON	BR 105
TOWN OF: BARTON	
ROUTE NO: I-91	STA. 2359+25
INTERSTATE OVER T.H. # 29	
CURB & RAIL PLAN	
SCALE: NOT TO SCALE	
SECTION SUPERVISOR: E.W. Bolcum-4/10	DATE: 4/10
DRAWN BY: [Signature]	CHECKED BY: LADD
PROJECT NO: I-91-3(11)	DATE: 4/10
SHEET 191 OF 670	BR-607