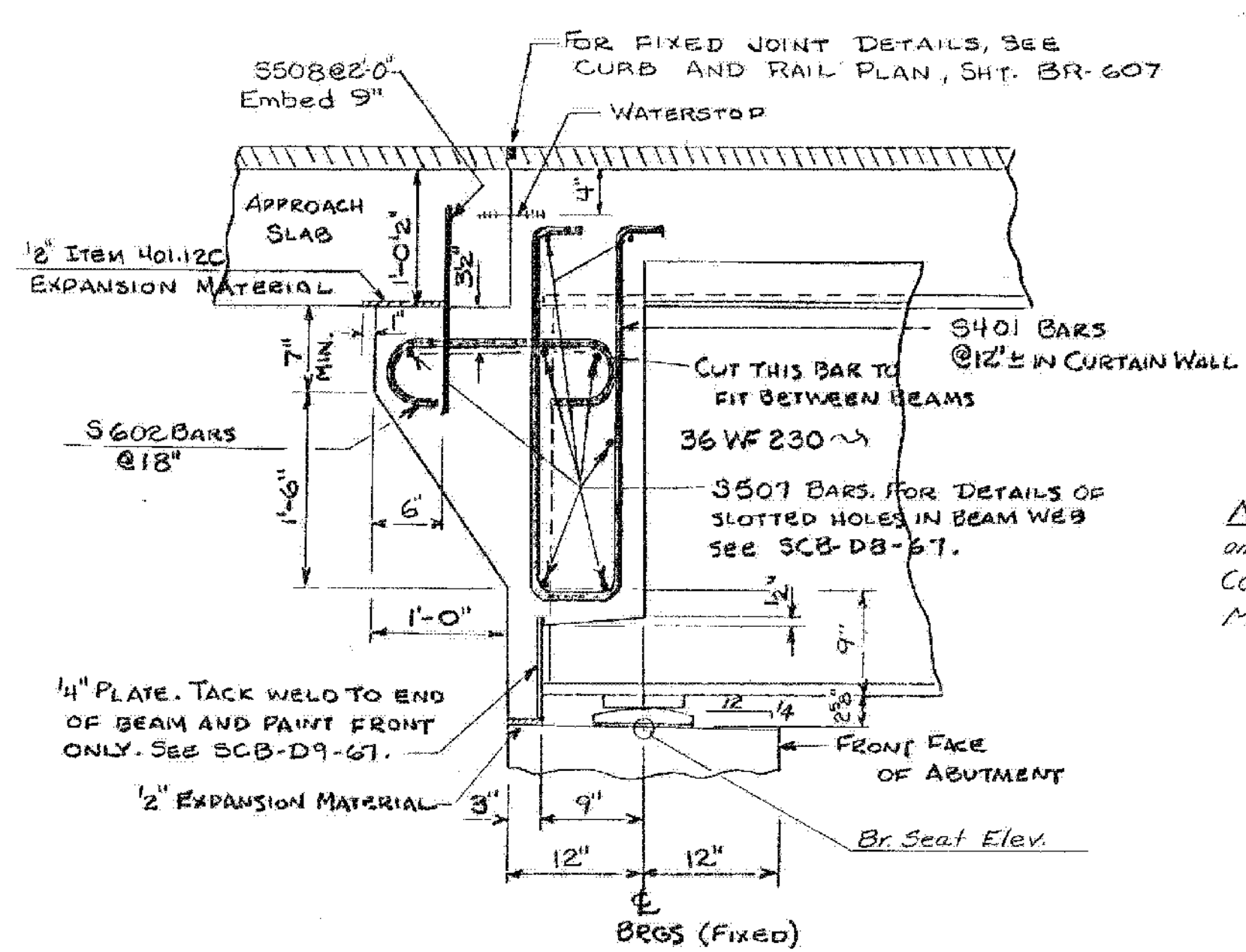
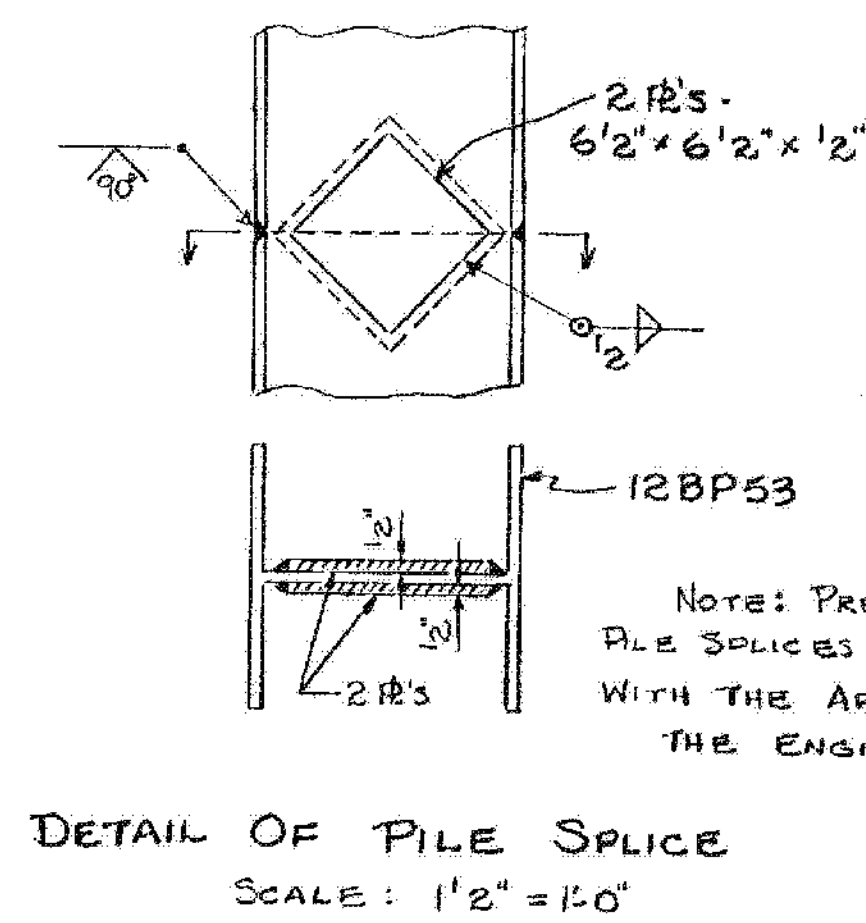
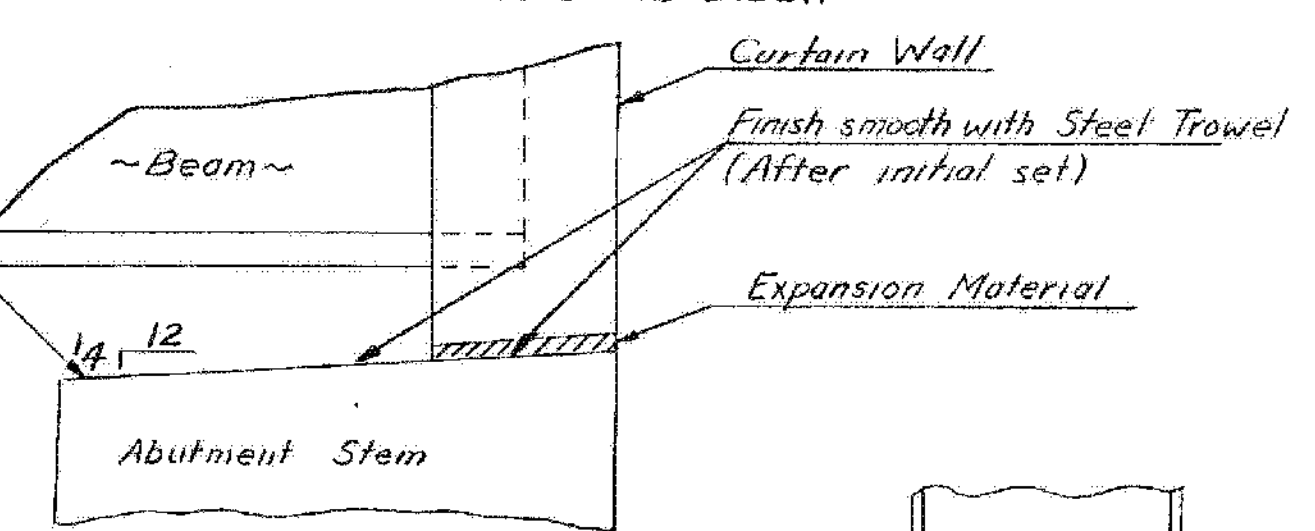
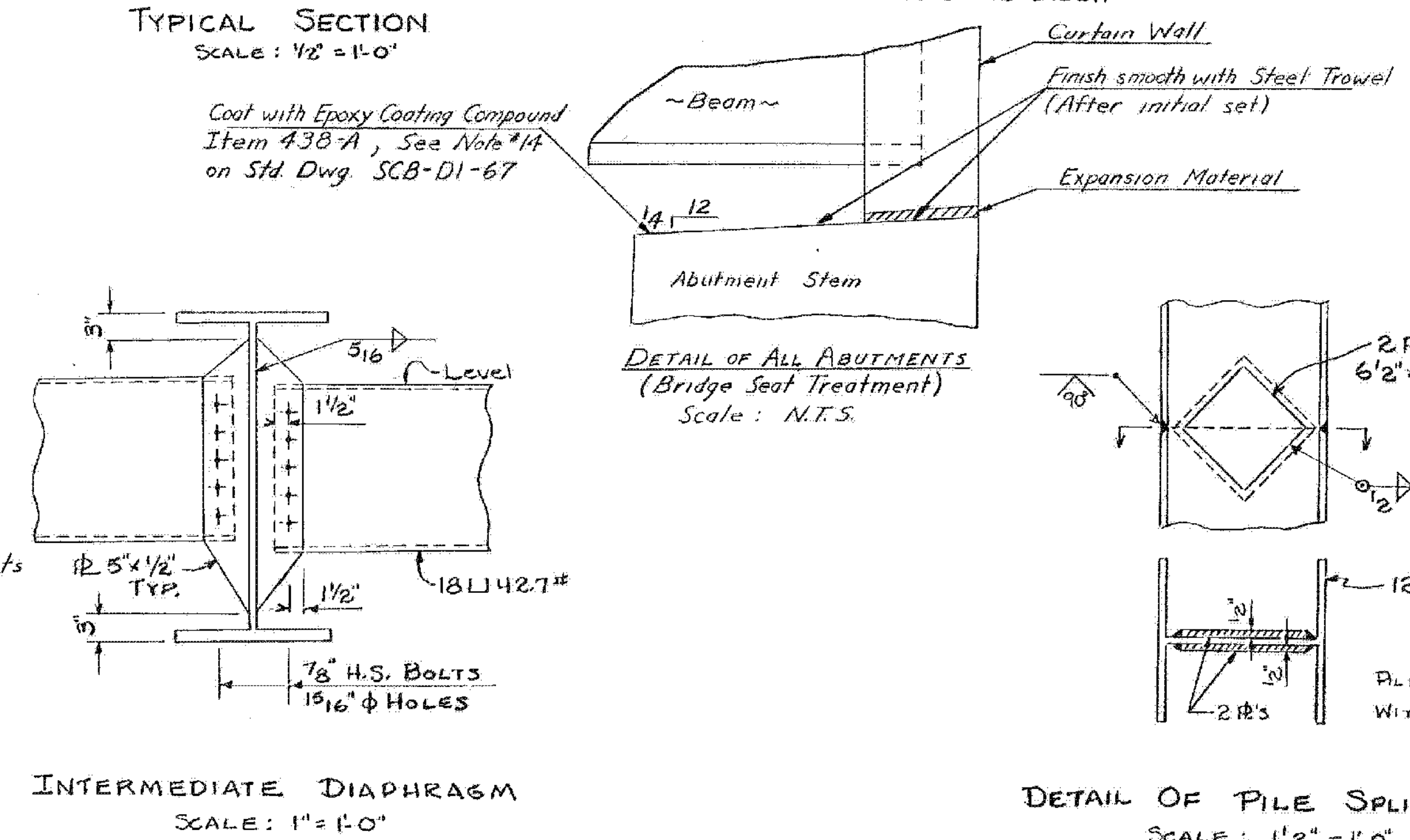


- NOTES:
1. GRANITE BRIDGE CURBS SHALL BE ALIGNED HORIZONTALLY AND VERTICALLY.
  2. LAYOUT AND DETAIL DRAWINGS FOR GRANITE BRIDGE CURB, ITEM 556-C, SHALL BE SUBMITTED IN TRIPPLICATE TO THE STATE OF VERMONT FOR APPROVAL PRIOR TO FABRICATION AND SHIPMENT. GRANITE CURB ENDS SHALL BE SAWED SQUARE AT THE ABUTMENT CURB JOINTS. GRANITE CURB SHALL BE FURNISHED IN RANDOM LENGTHS RANGING FROM 4' MINIMUM TO 10' MAXIMUM.



Note: 1/8" H.S. Bolts and Washers Shall Conform to AASHTO M-164



BARTON-COVENTRY  
IM BPNT (11)  
SHEET 40 OF 84  
BRIDGES 105N&S  
FOR REFERENCE ONLY

Stage 1 Construction

STATE OF VERMONT  
DEPARTMENT OF HIGHWAYS

PROJECT: BARTON  
TOWN OF BARTON BRIDGE 105  
ROUTE NO. I 91 I 91 STA 2357+25  
INTERSTATE OVER I.H.# 29  
SUPERSTRUCTURE DETAILS  
SCALE: AS NOTED  
SECTION SUPERVISOR: E.W. Bol Kum - 4/70  
DRAWN BY: BETA CHECKED BY: LABD  
PROJECT NO. I 91-2011  
SHEET 120 OF 622 BR-606