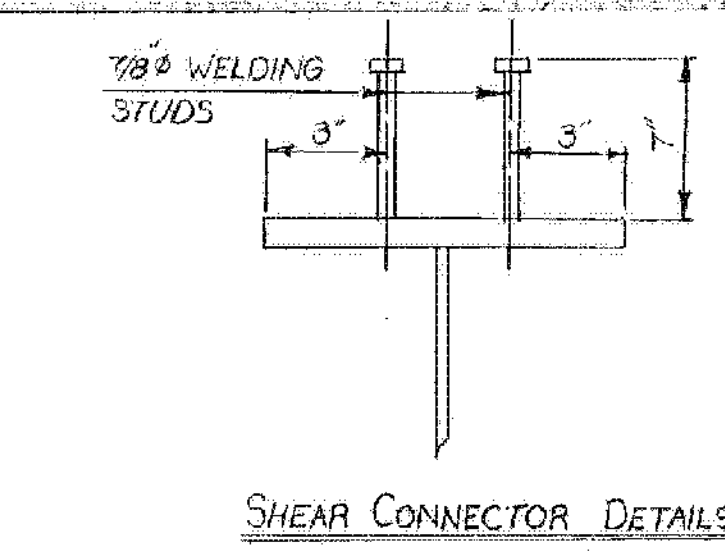
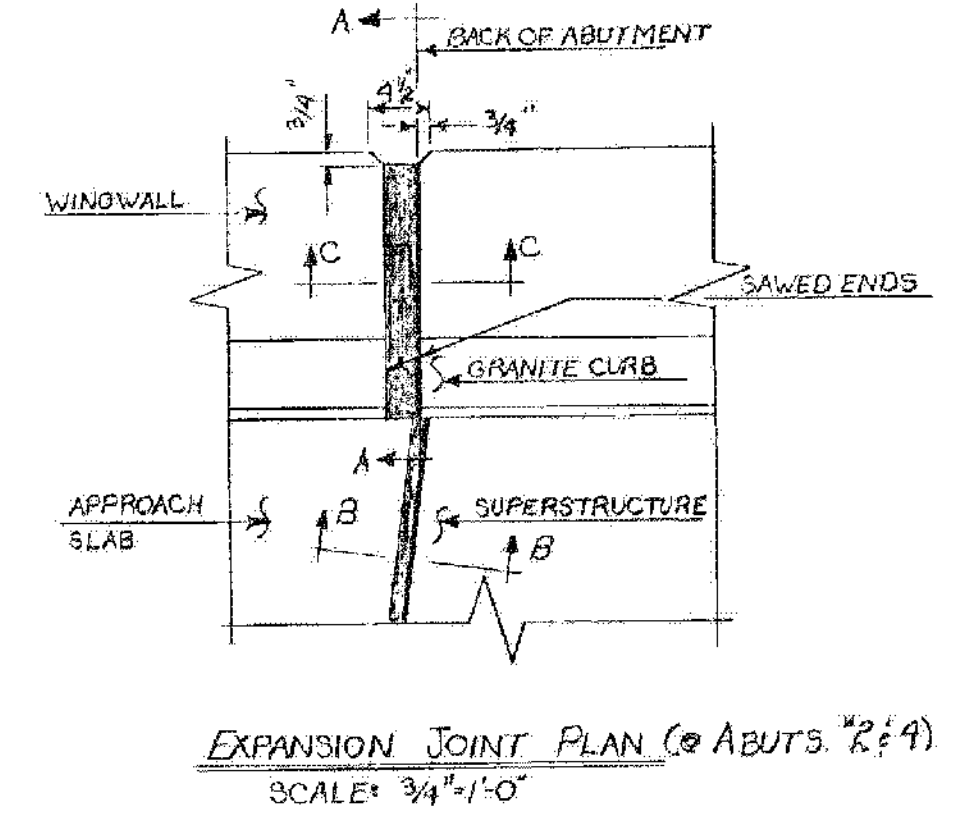
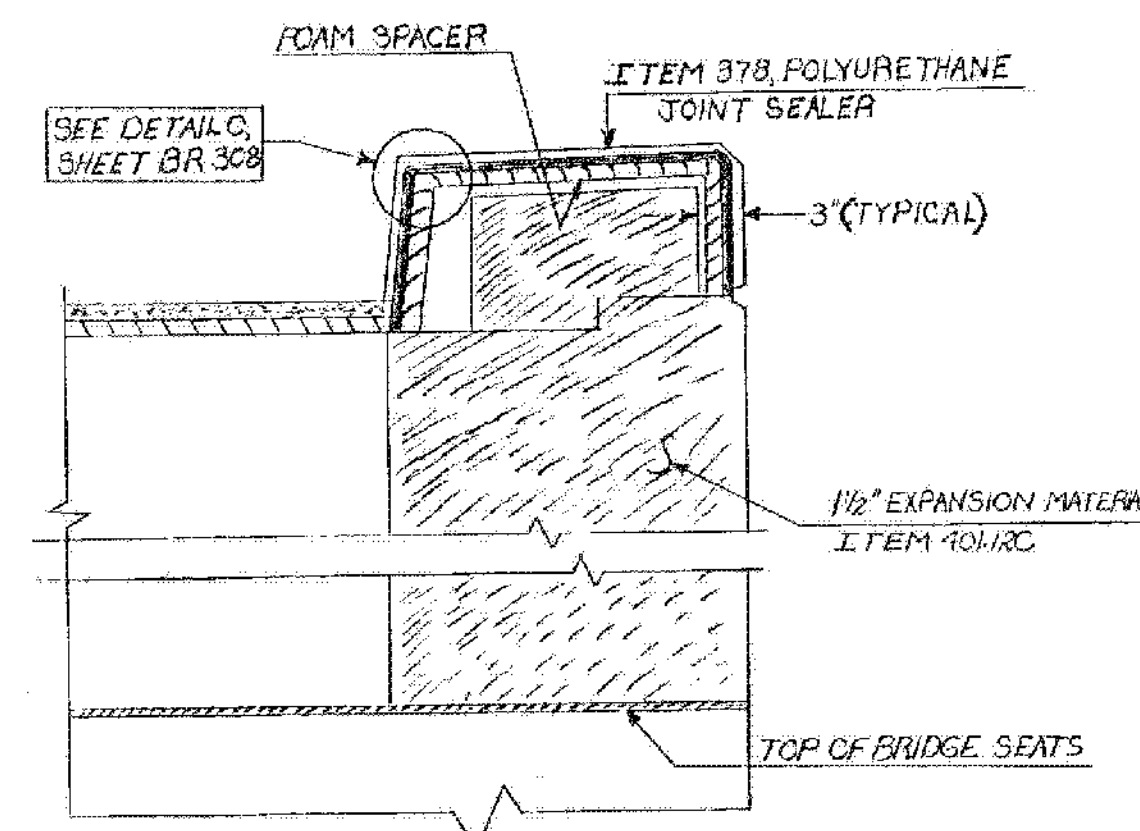


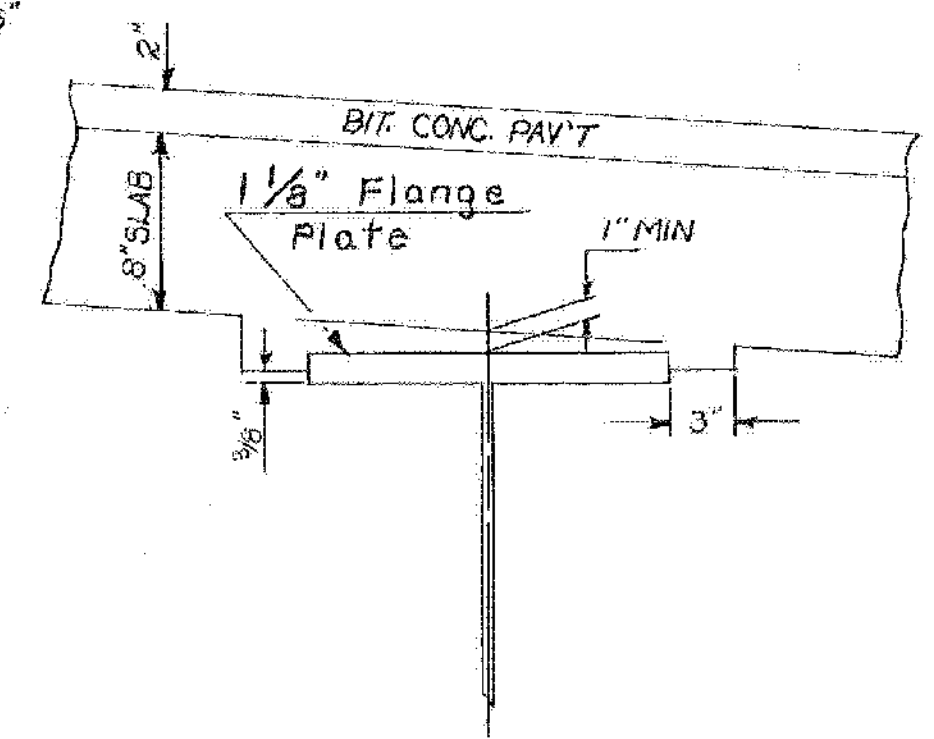
CURB SECTION DETAILS
SCALE: 1/2"=1'-0"



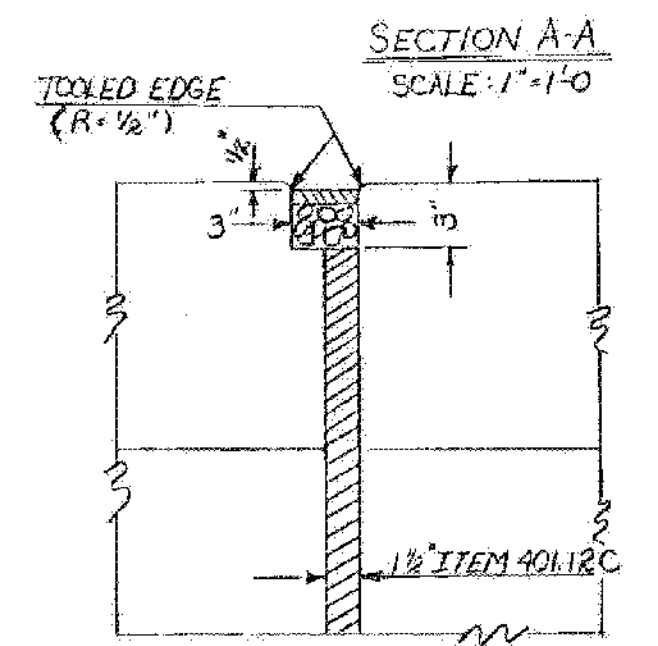
SHEAR CONNECTOR DETAILS



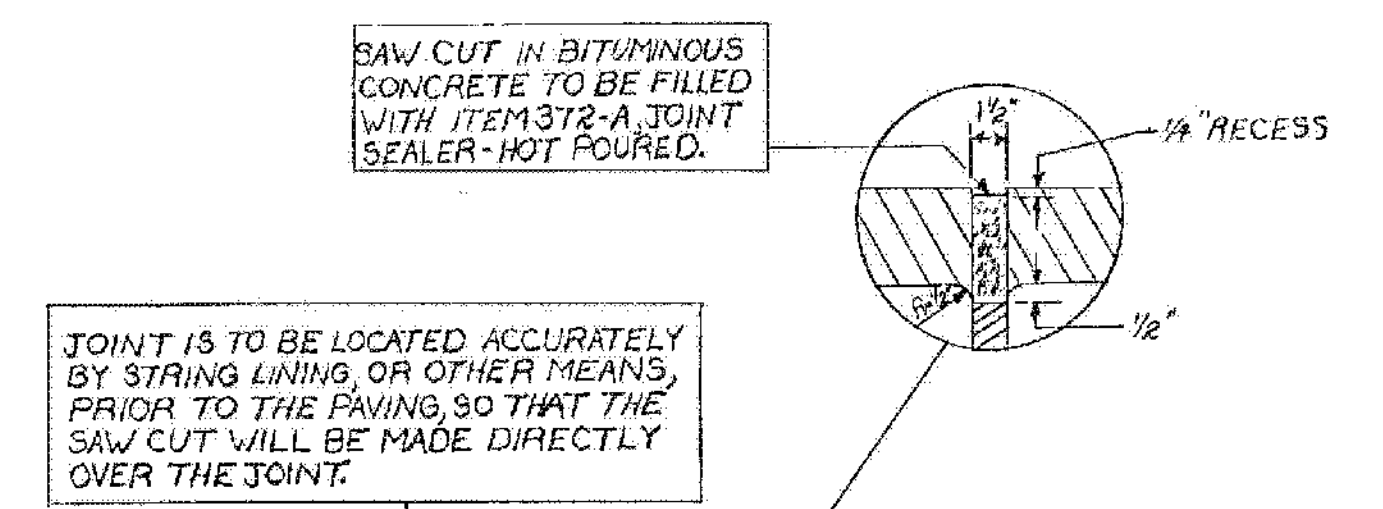
EXPANSION JOINT PLAN (at Abuts. 2:4)
SCALE: 3/4"=1'-0"



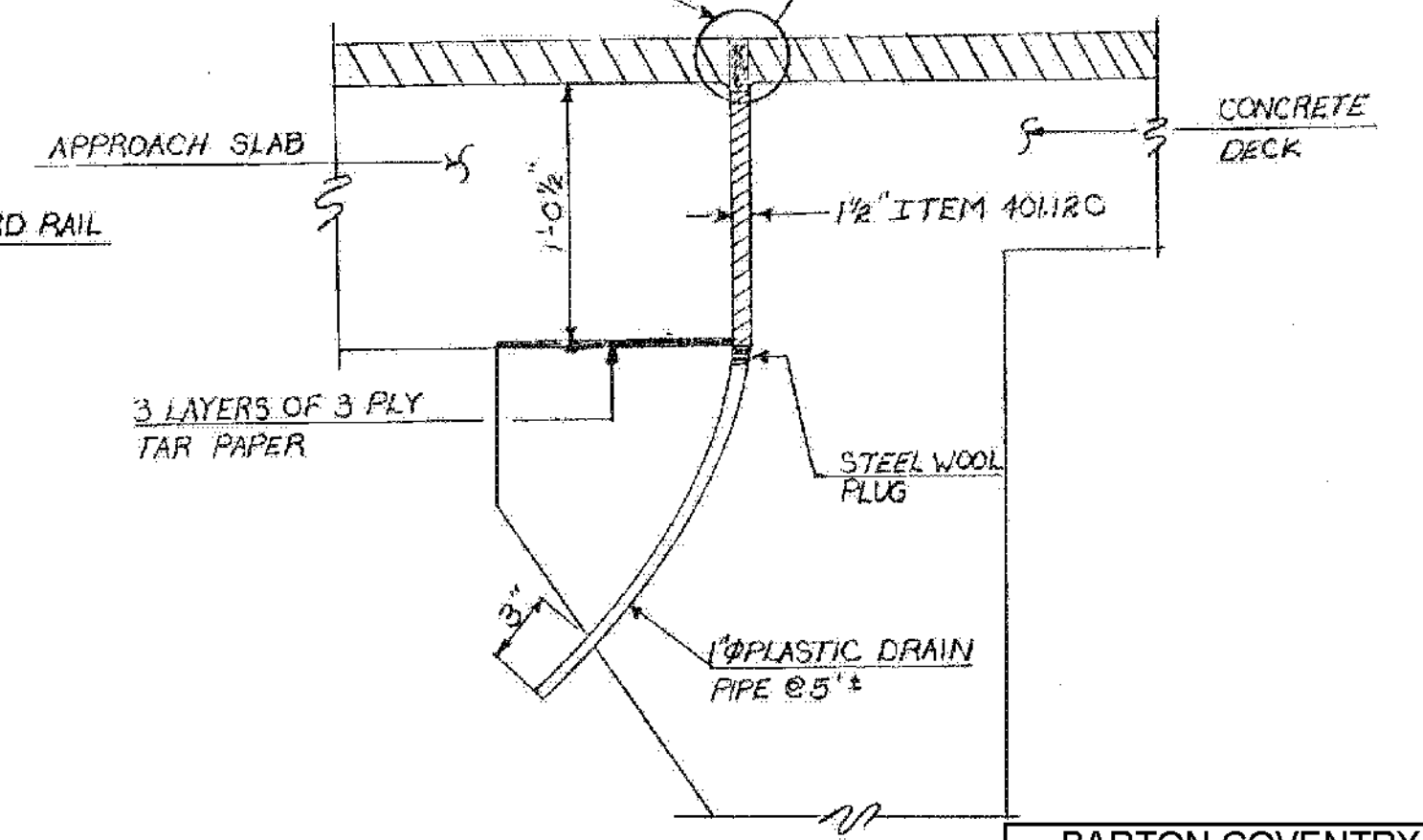
BEAM HAUNCH DETAIL
SCALE: 1/2"=1'-0"



SECTION A-A
SCALE: 1"=1'-0"



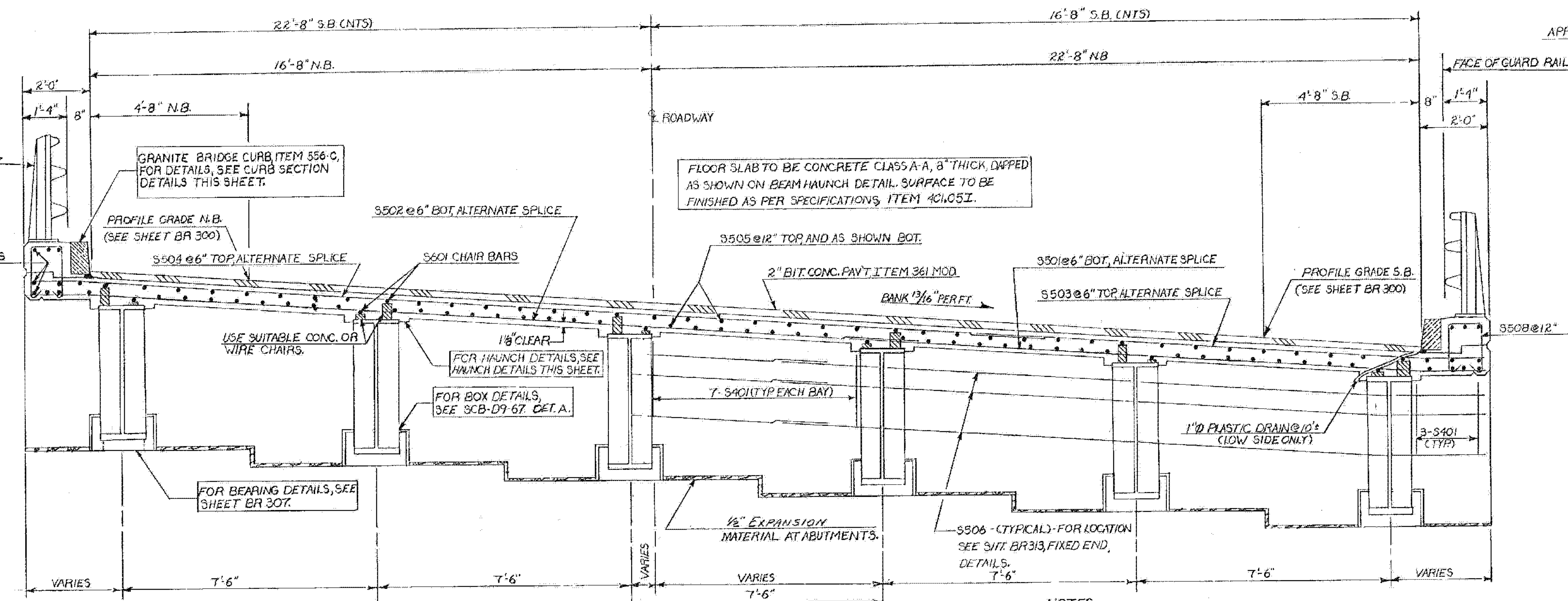
JOINT IS TO BE LOCATED ACCURATELY BY STRING LING, OR OTHER MEANS, PRIOR TO THE PAVING, SO THAT THE SAW CUT WILL BE MADE DIRECTLY OVER THE JOINT.



SECTION B-B

BARTON-COVENTRY
IM BPNT (11)
SHEET 29 OF 84
BRIDGES 103N&S
FOR REFERENCE ONLY

Stage 1 Construction



TYPICAL SECTION
SCALE: 1/2"=1'-0"

NOTES
1) FOR APPROACH SLAB BRACKET DETAILS, SEE BR-308 FIXED END DETAILS.

STATE OF VERMONT DEPARTMENT OF HIGHWAYS	
PROJECT: BARTON TOWN OF BARTON	
ROUTE No. 191	@ STA. 2111+99
I-91 OVER S.A. #2	
SUPERSTRUCTURE EXPANSION JOINT DETAILS	
SCALE AS SHOWN	
SECTION SUPERVISOR: F.W. Bolcum - 4/70	
DRAWN BY: Hoshing CHECKED BY: Ouellette 4/70	
PROJECT No. I-91-3(11)	
SHEET 149 OF 620 BR 306	