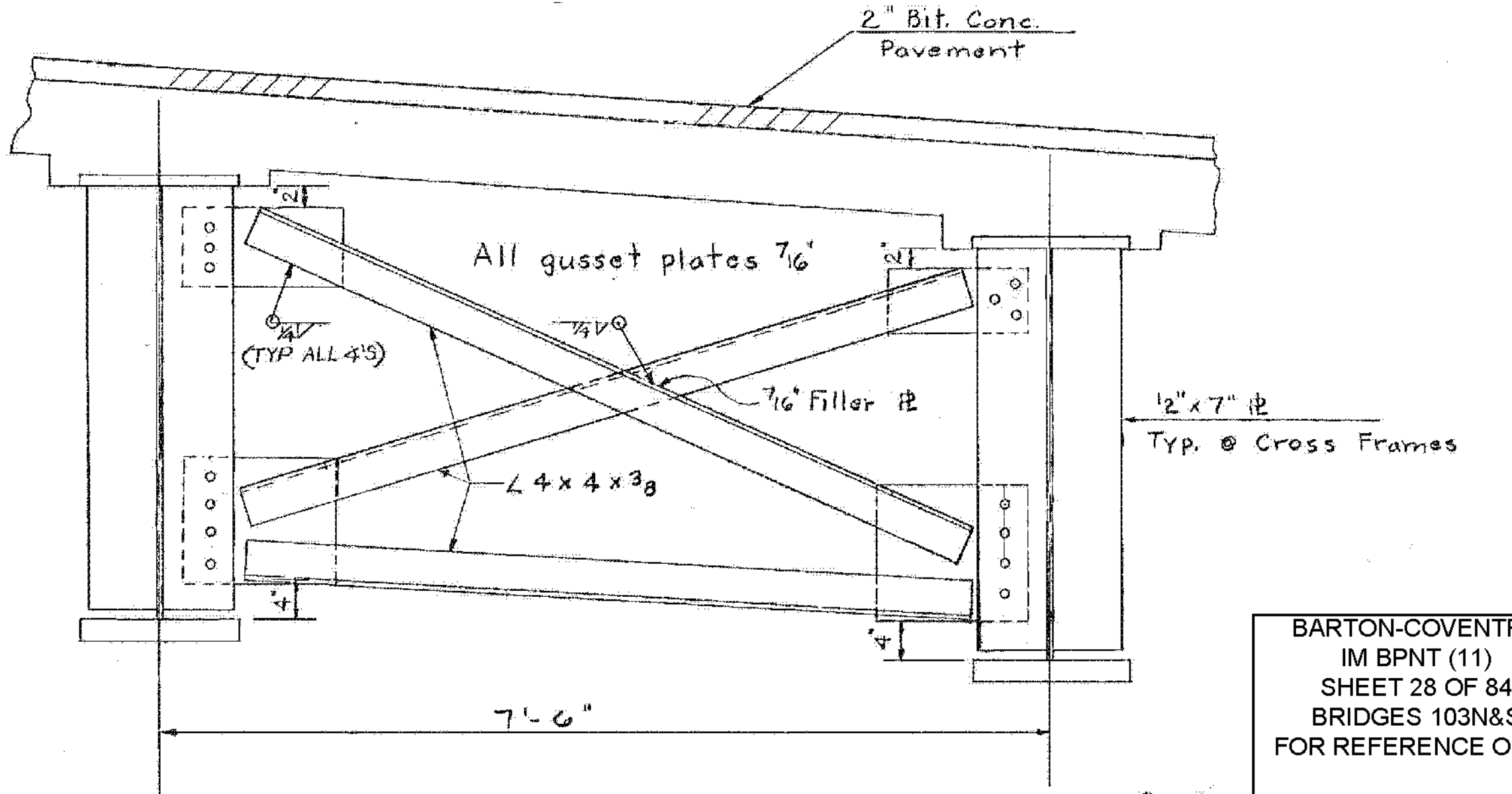
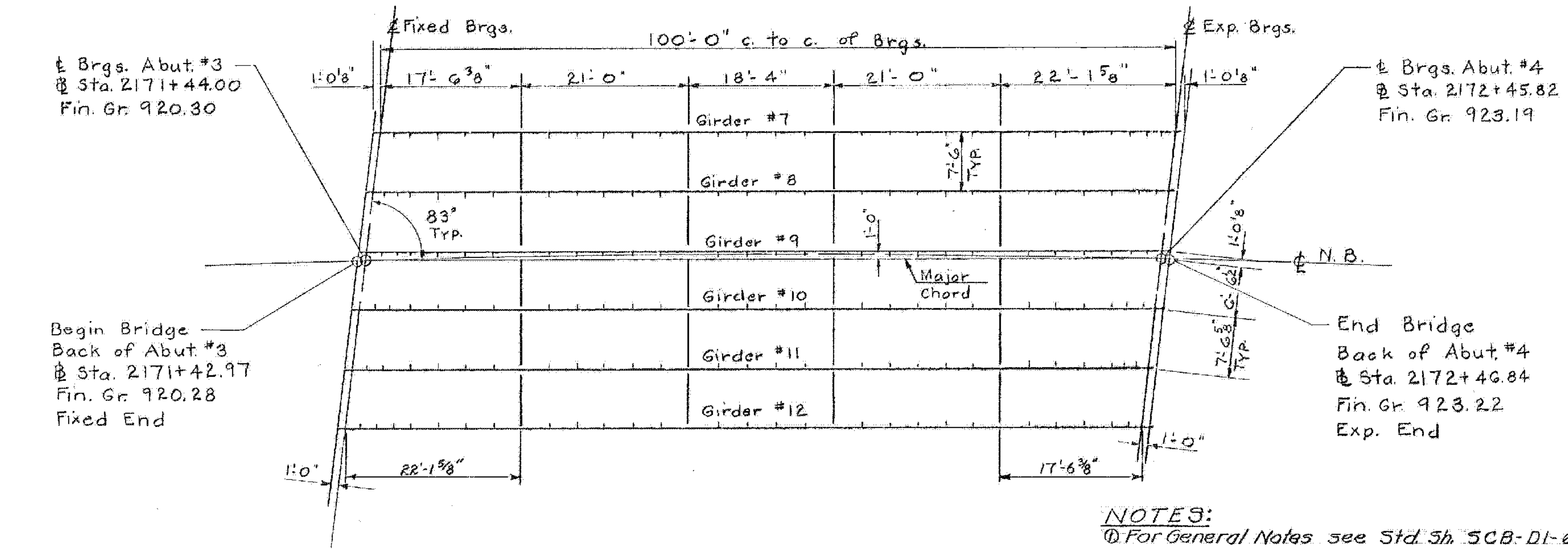


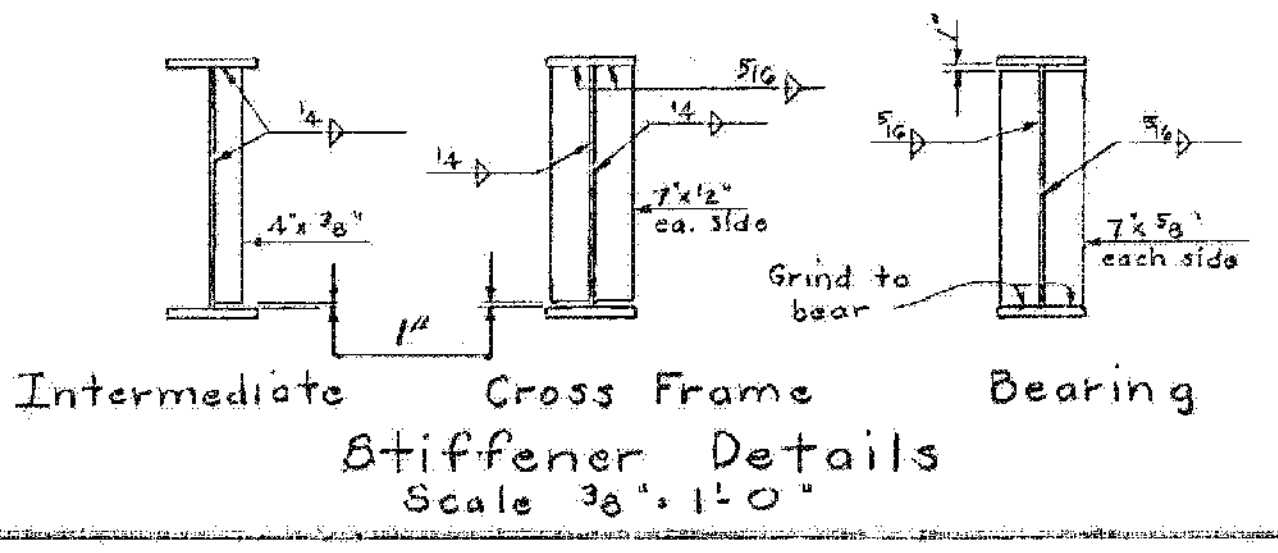
Girder Elevation
Not to Scale



Typical Cross Frame
Scale 1" = 1'-0"

BARTON-COVENTRY
IM BPNT (11)
SHEET 28 OF 84
BRIDGES 103N&S
FOR REFERENCE ONLY

Framing Plan
Scale 1" = 10'



- NOTES:**
- ① For General Notes see Std. Sh. 5CB-DI-61 & BR-301.
 - ② The stiffener spacing for the Northbound bridge is to be the same as the Southbound bridge.
 - ③ Camber all plate girders 4 3/4"
Computed Dead Load deflection is 3 1/4"
Computed Live Load deflection is 3/16"

STATE OF VERMONT	
DEPARTMENT OF HIGHWAYS	
PROJECT: BARTON	ROUTE NO. I 91
TOWN OF BARTON	Sta. 2171+99
I 91 OVER S.A. #2	
FRAMING PLAN	
SCALE AS NOTED	
SECTION SUPERVISOR: F.W. Balkum - 4/70	
DRAWN BY: A. CUNNINGHAM	CHECKED BY: SHATTUCK
F. HOSKINS	F. OUELLETTE
PROJECT NO. I 91-3(11)	4/70
SHEET 28 OF 620	BR 305