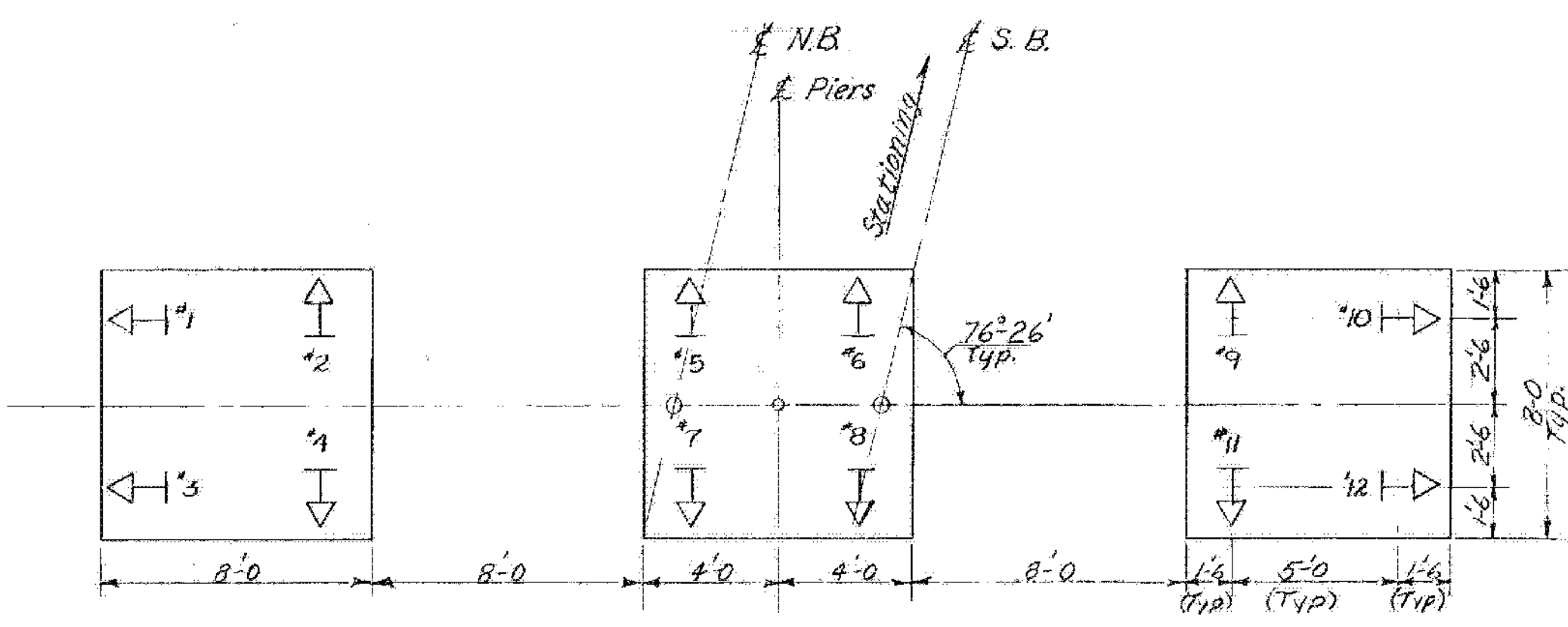
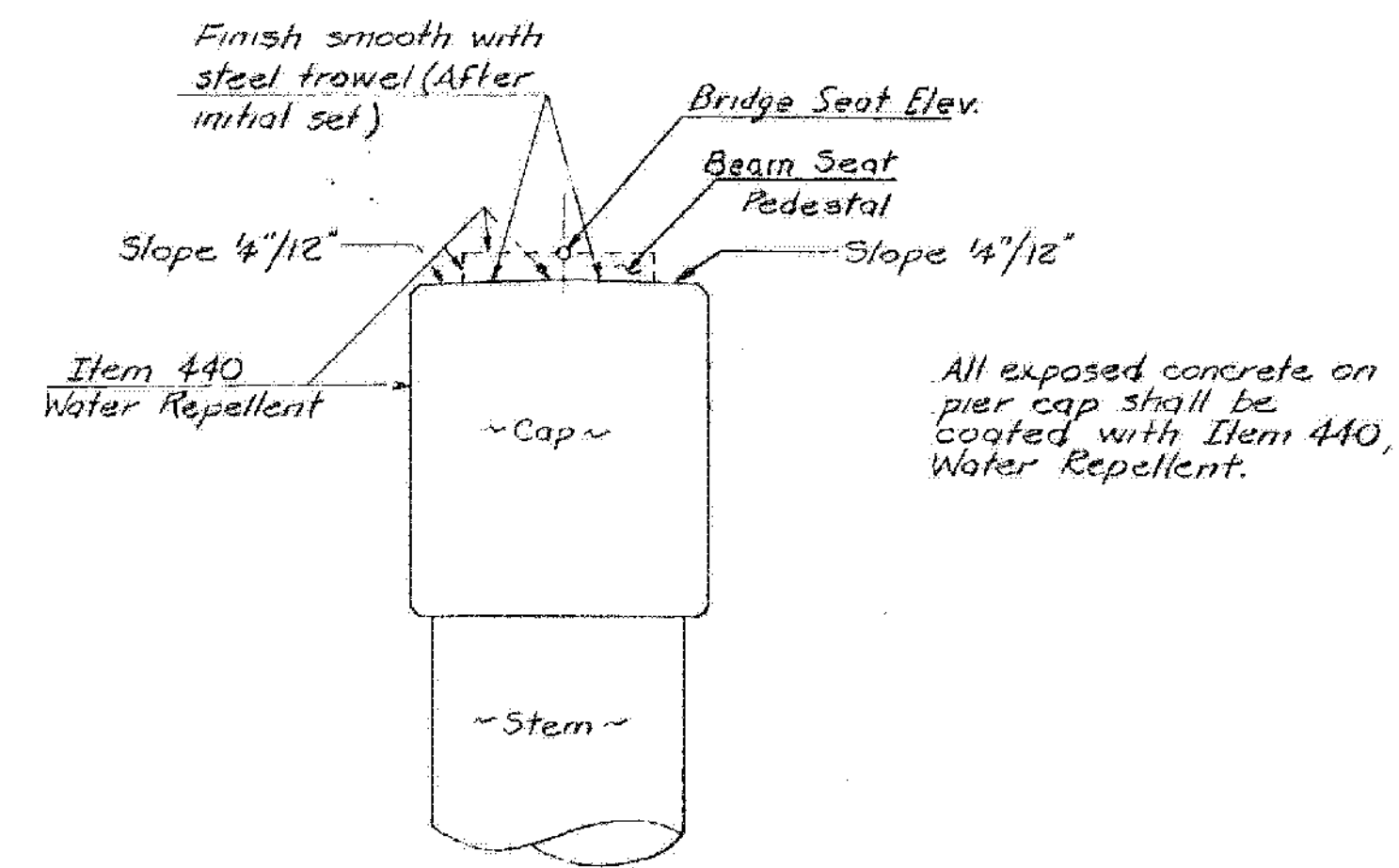


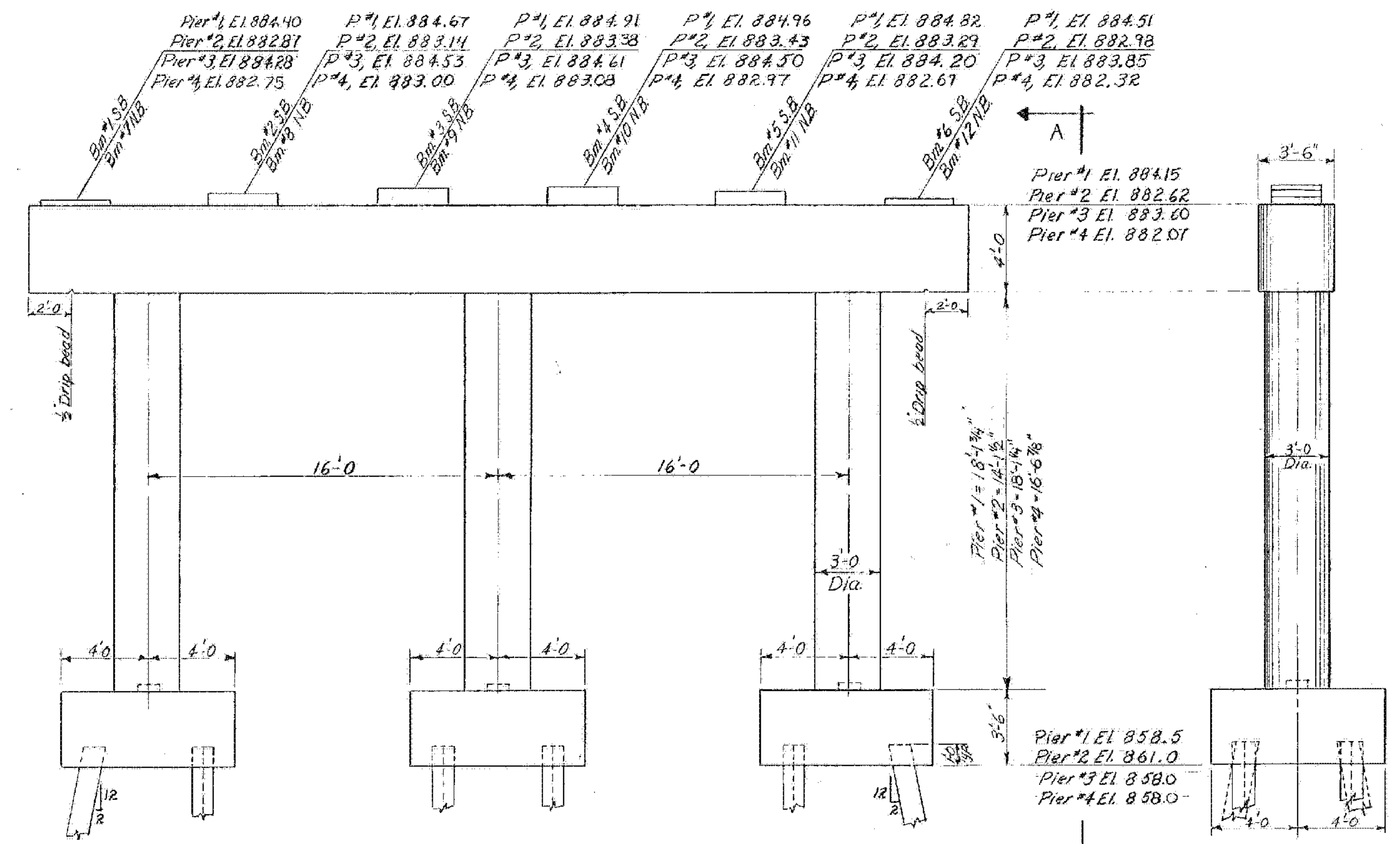
PLAN  
Scale: 1/4" = 1'-0"



FOOTING PLAN  
Scale: 1/4" = 1'-0"



PIER CAP TREATMENT  
Scale: 1/2" = 1'-0"



ELEVATION  
Scale: 1/4" = 1'-0"

ELEVATION A-A  
Scale: 1/4" = 1'-0"

NOTES

- ① FOR GENERAL NOTES SEE SHEET BR-101 & SC8-DI-67
- ② CONCRETE IN THE PIER FOOTINGS SHALL BE CLASS B, ITEM 401-B MOD. CONCRETE IN THE PIER CAPS AND COLUMNS SHALL BE CLASS AA, ITEM 401-AA, MOD.
- ③ ▼ INDICATES DIRECTION OF 2 IN 12 PILE BATTER.
- ④ THE MAXIMUM STEEL PILE (12 BP53) DESIGN LOAD IS 54 TONS PER PILE IN THE PIER FTGS.
- ⑤ THE PIER DRAWINGS SHOWN ON THIS SHEET AND BR-115 ARE TO SCALE FOR PIER #1.
- ⑥ FOR PILING TABLE SEE SHEET BR 110.

BARTON-COVENTRY  
IM BPNT (11)  
SHEET 23 OF 84  
BRIDGES 102N&S  
FOR REFERENCE ONLY

Staga Construction

STATE OF VERMONT  
DEPARTMENT OF HIGHWAYS

PROJECT: BARTON BR 102  
TOWN OF BARTON  
ROUTE NO. I-91 STA. 2148+91  
INTERSTATE 91 OVER VT #16

PIER DETAILS  
SCALE: As Noted

SECTION SUPERVISOR: F.V. Balkum - 4/10  
DRAWN BY: [Signature] CHECKED BY: QUELLETTE  
PROJECT NO. I-91-3(11)  
SHEET 126 OF 670 BR 11A