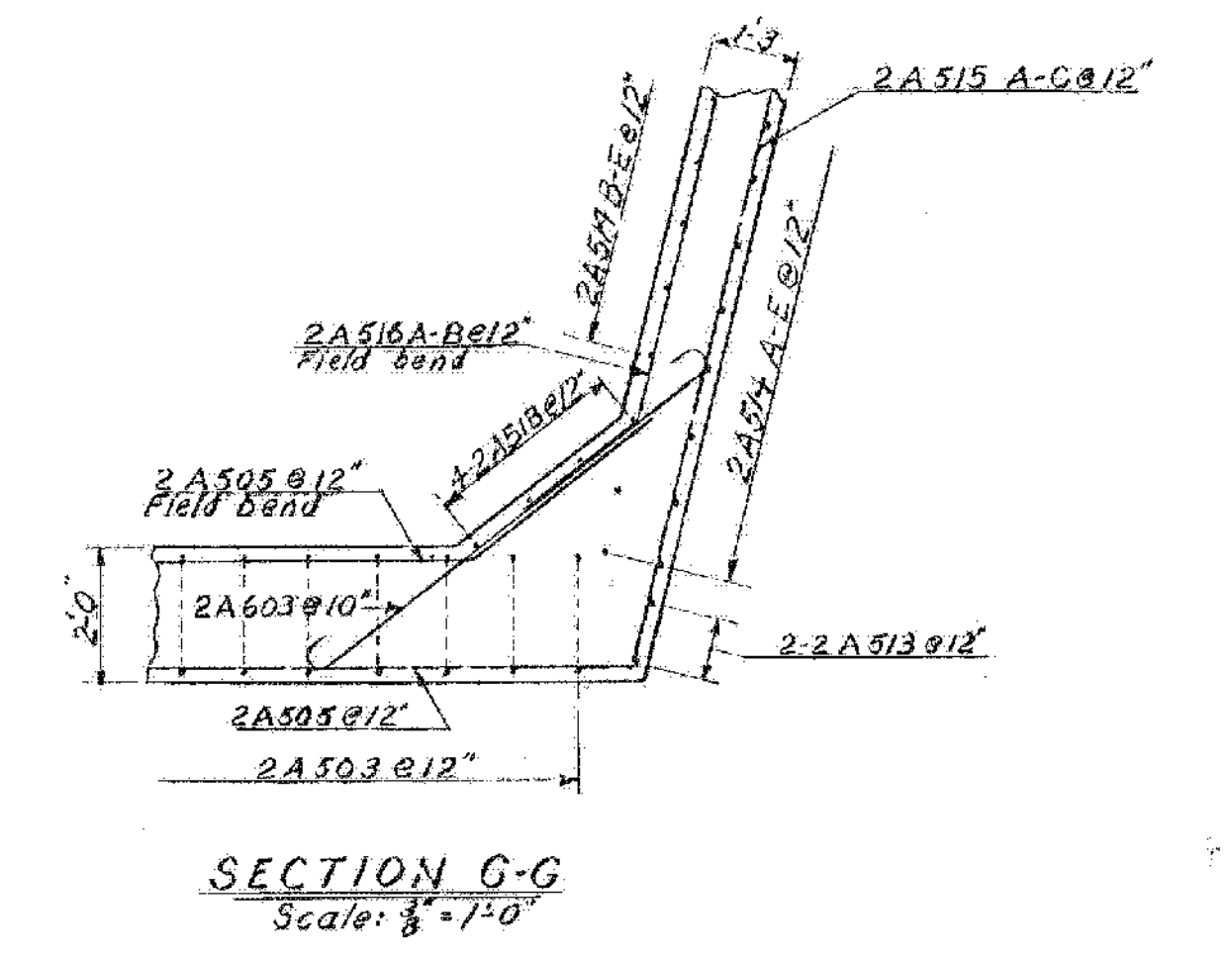
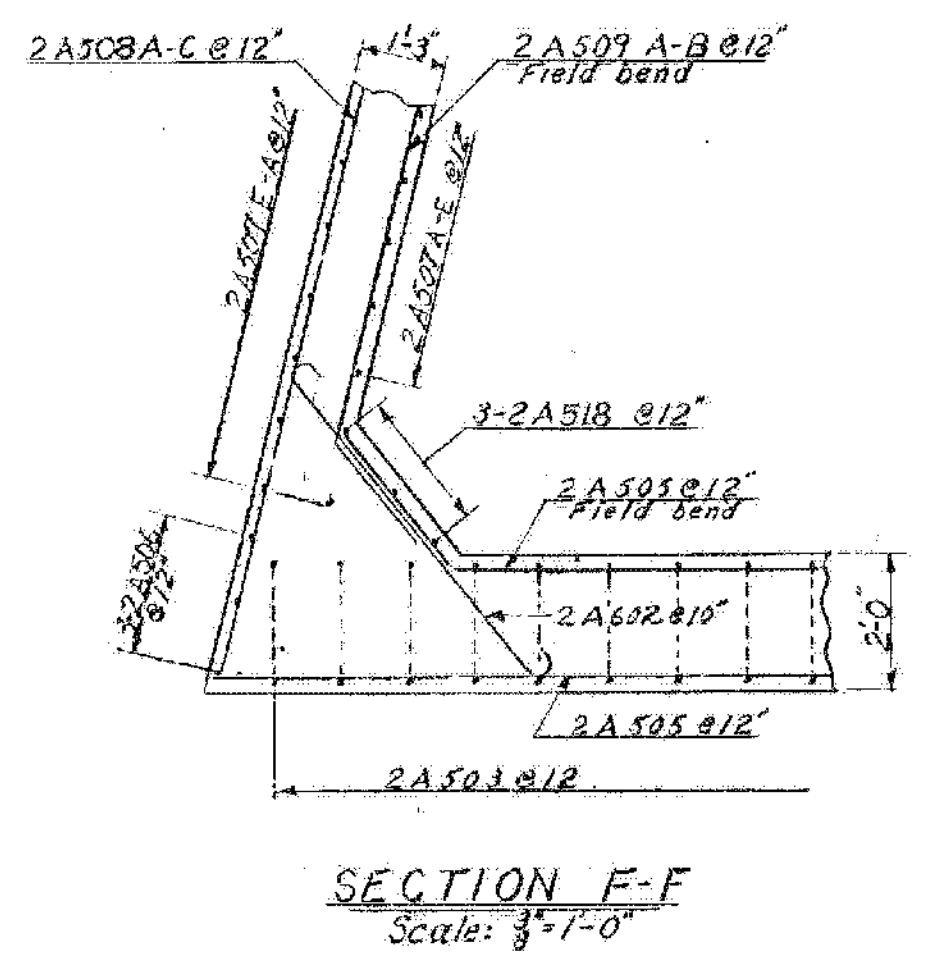
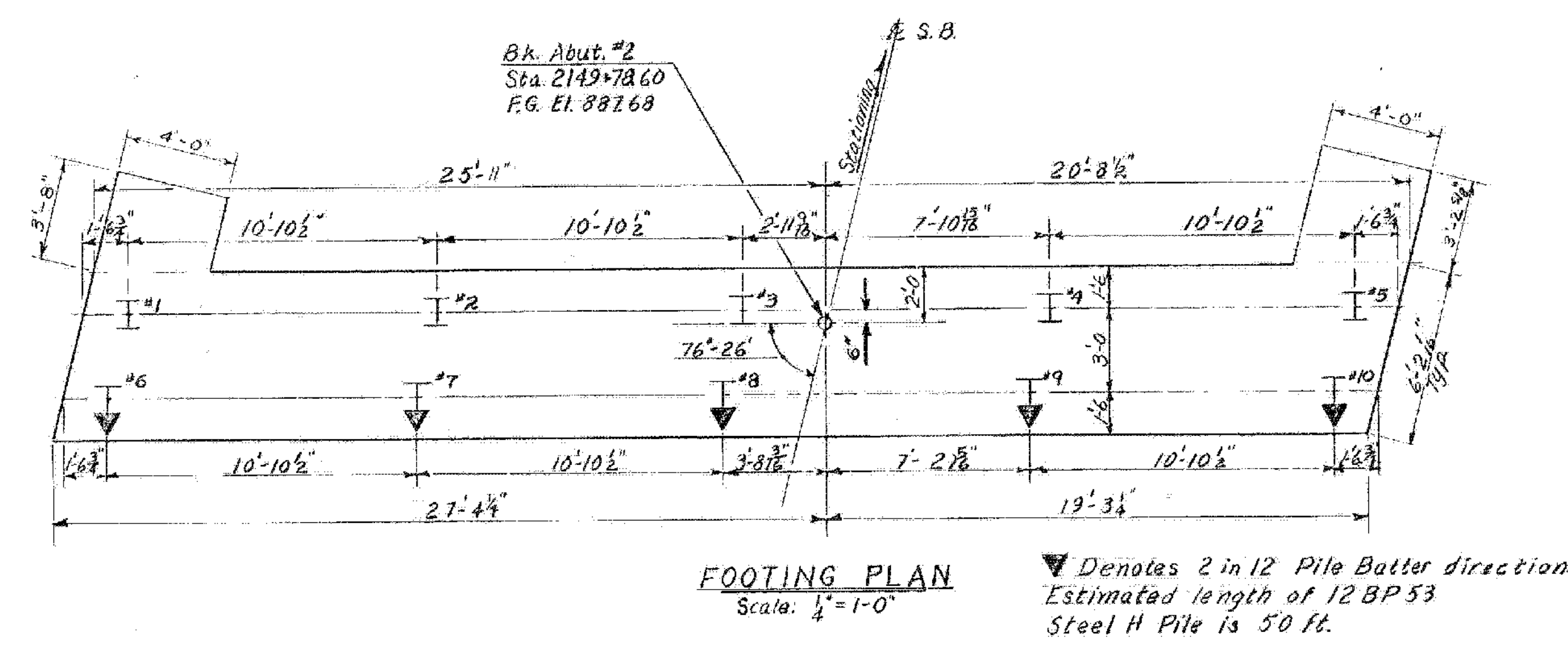
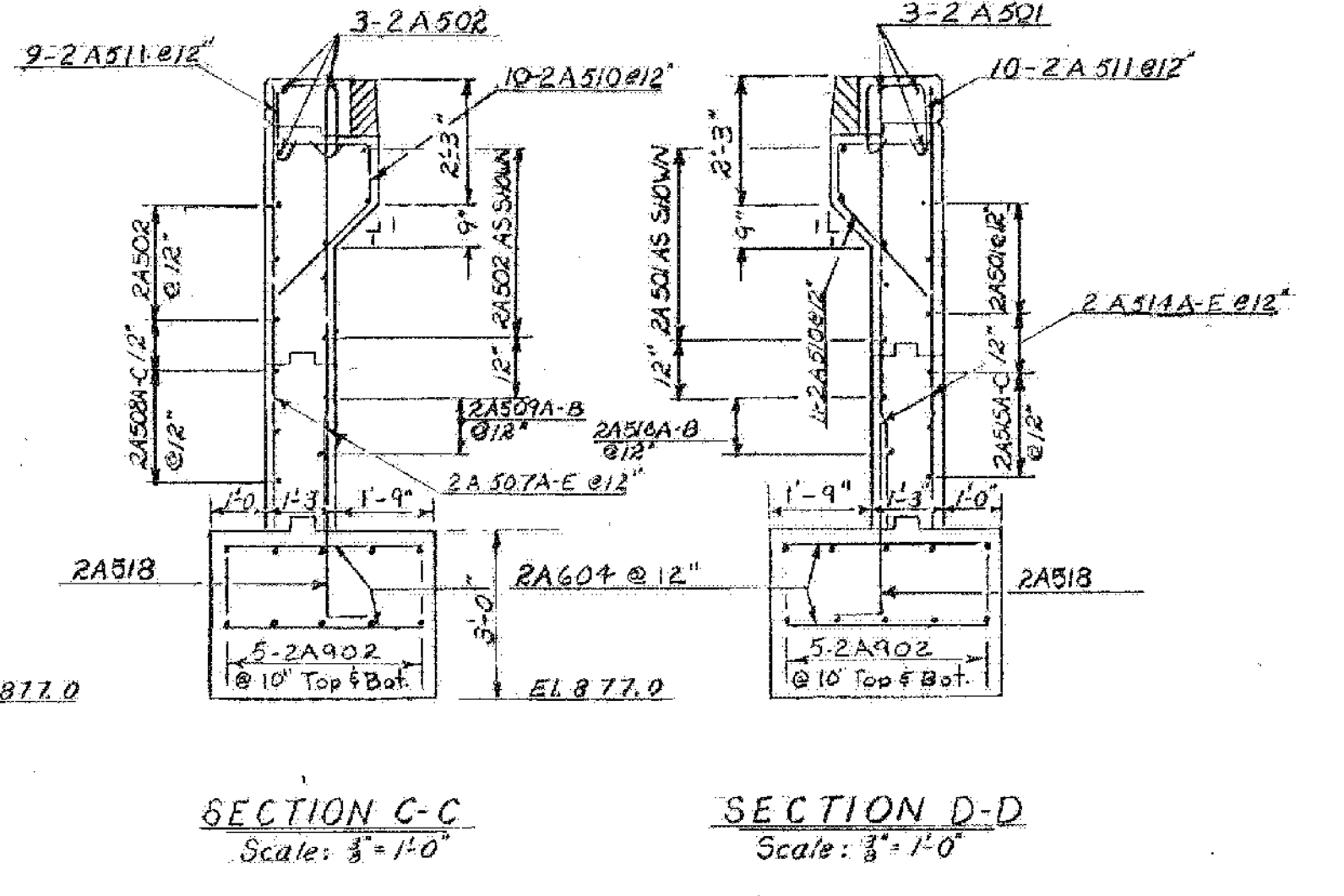
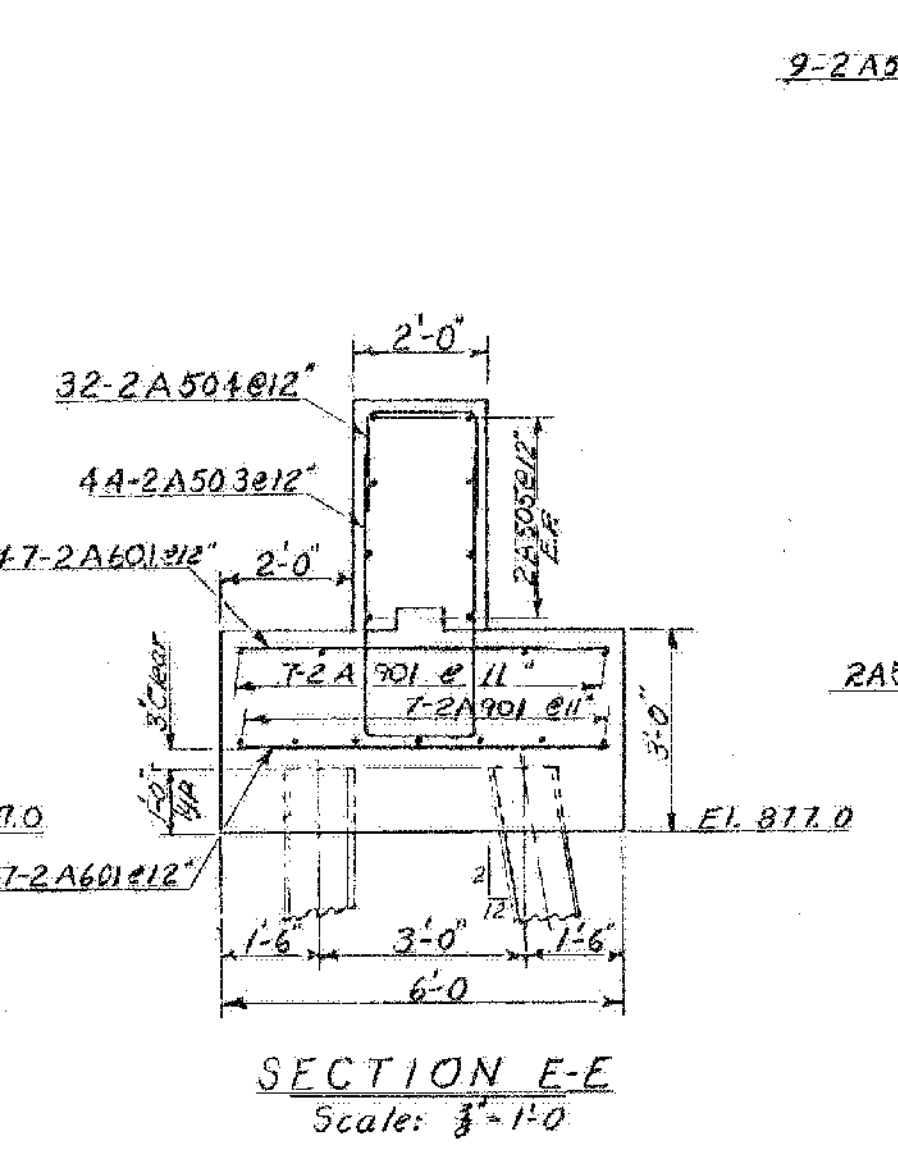
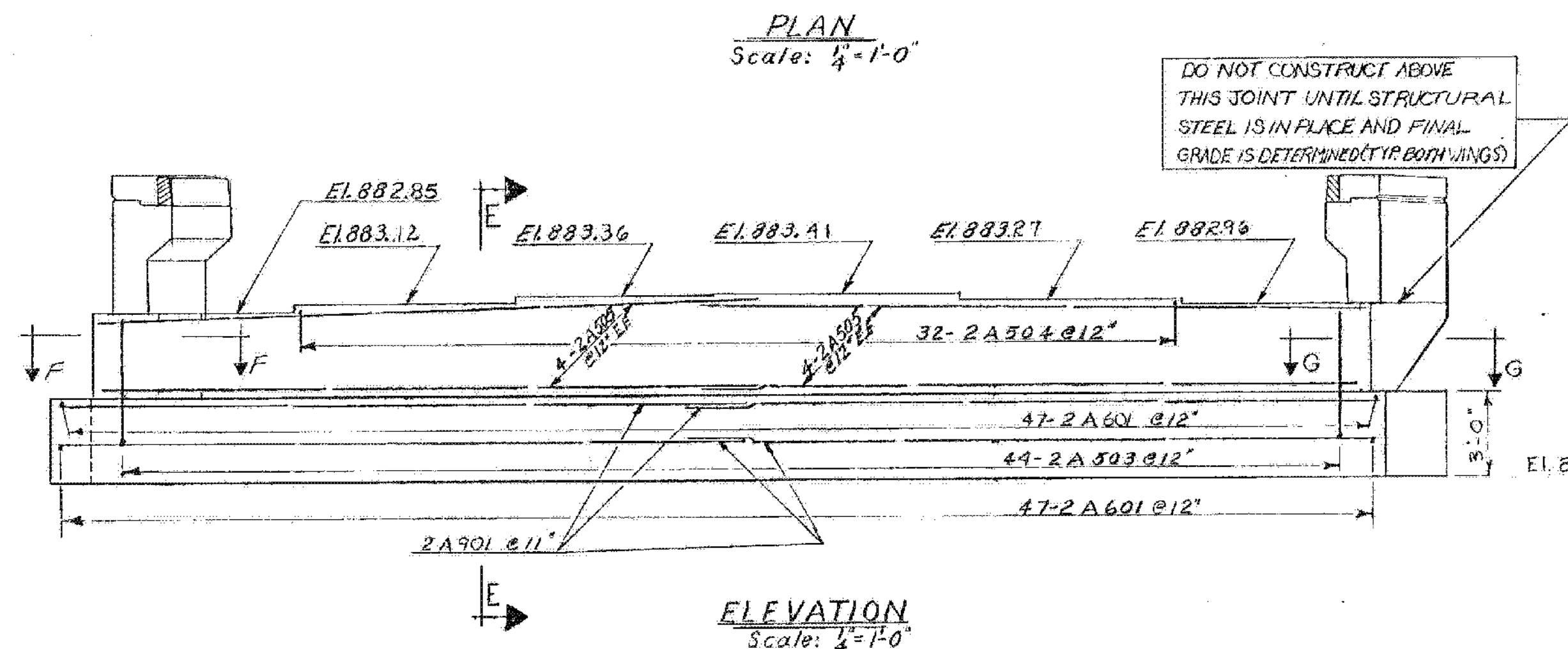


- NOTES**
- 1) FOR GENERAL NOTES SEE SHEET BR101, PLAN & ELEVATION AND SCB-D1-67
 - 2) FOR ADDITIONAL ABUTMENT NOTES SEE BR101, ABUTMENT NO. 1 DETAILS.
 - 3) FOR PILING TABLE SEE SHEET BR-110.
 - 4) FOR DETAILS OF SURFACE TREATMENT OF FIXED ABUT. BRIDGE SEATS SEE SH. BR 101.



BARTON-COVENTRY
IM BPNT (11)
SHEET 20 OF 84
BRIDGES 102N&S
FOR REFERENCE ONLY

Stage 1 Construction

STATE OF VERMONT
DEPARTMENT OF HIGHWAYS

PROJECT: BARTON BR 102
TOWN OF BARTON

ROUTE NO. I-91 STA. 2148+97
INTERSTATE 91 OVER VT. 16

ABUTMENT NO. 2 DETAILS (FIXED)
SCALE: As Noted

SECTION SUPERVISOR: E. V. Balkum 4/70
DRAWN BY: [Signature] CHECKED BY: QUELLETTE 3/70
PROJECT NO. I-91-3(11)
SHEET 123 OF 670 BR. 111