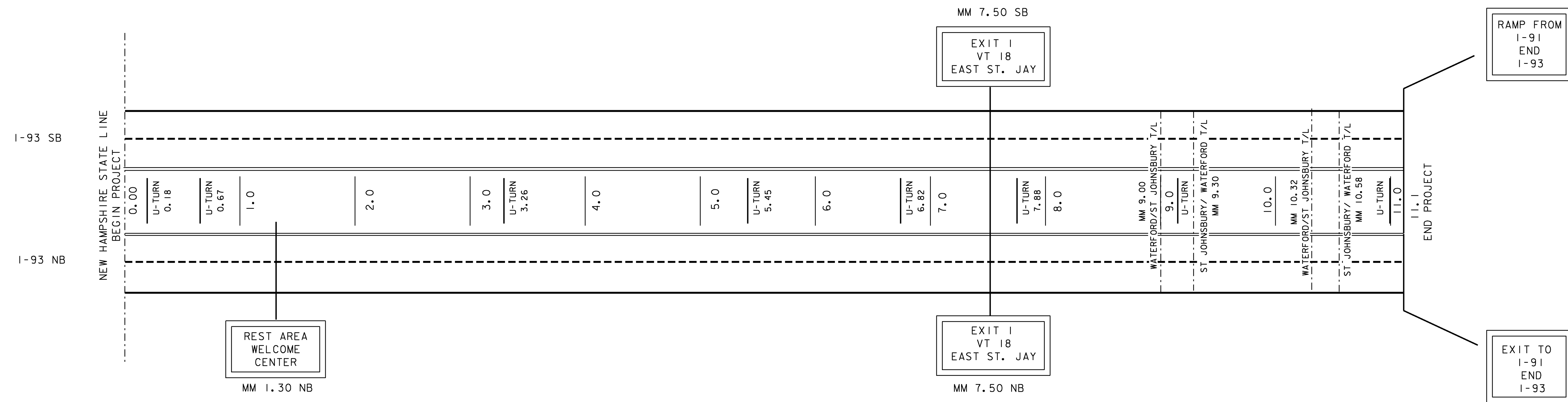
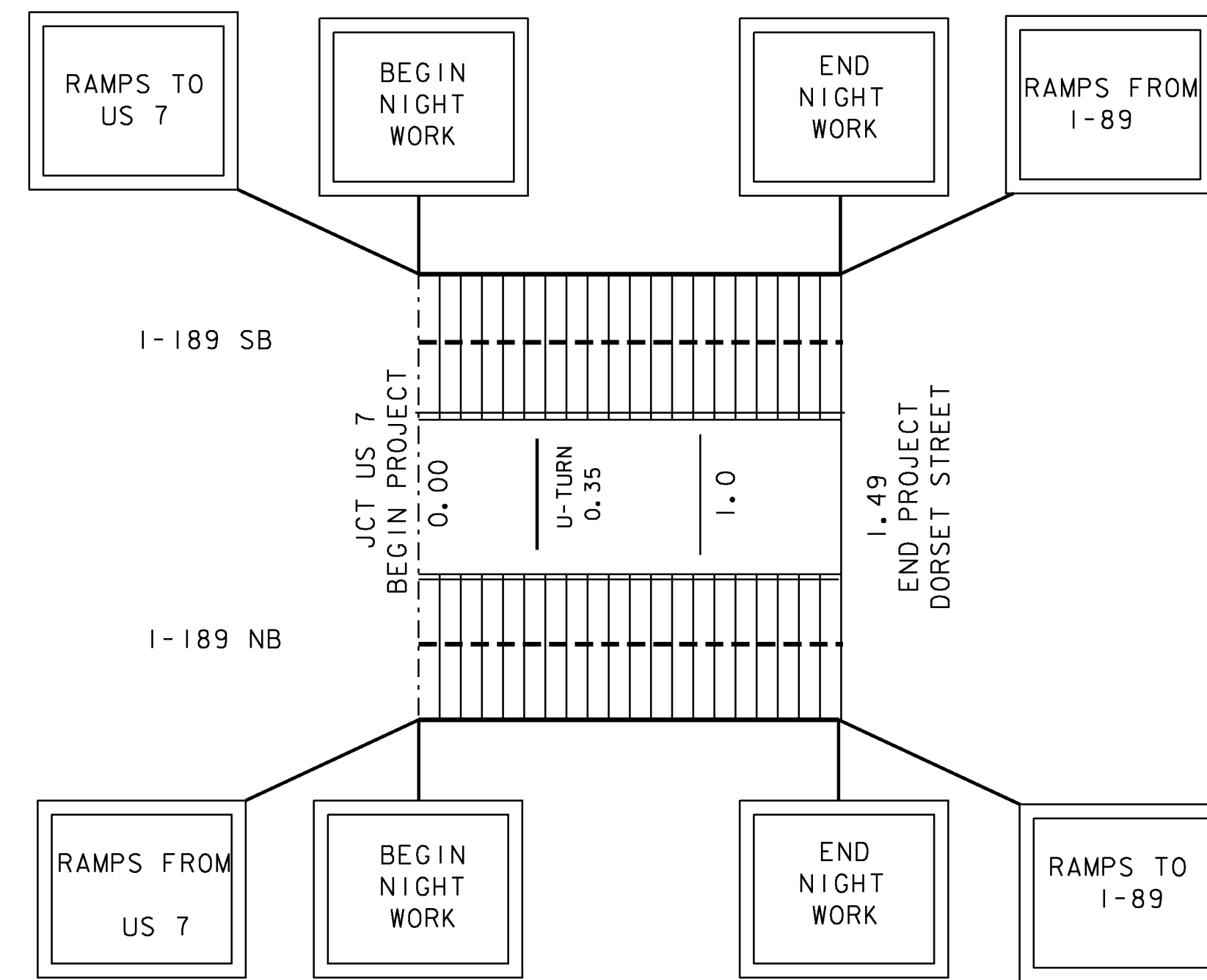


### INTERSTATE 93 MAINLINE TREATMENT SCHEMATIC



### INTERSTATE 189 MAINLINE TREATMENT SCHEMATIC



- LEGEND**
- = AREA NOT TO BE PAINTED
  - = AREA TO BE DONE AT NIGHT
  - = 6'' SOLID WHITE LINE
  - = 6'' DASHED WHITE LINE
  - = 6'' SOLID YELLOW LINE

NOT TO SCALE

<b>I-93 AND I-189 MAINLINE TREATMENT SCHEMATIC SHEET</b>	PROJECT NAME: <b>STATEWIDE</b>	PLOT DATE: 10-MAR-2011
	PROJECT NUMBER: <b>IMG MARK(111)</b>	DRAWN BY: KAS
	DESIGN FILE NAME: Ila008.dgn	SHEET: 27 OF 29
	PROJECT MANAGER: A GAMBLE	
	IPARM FILE NAME: Ila008ms12.1	