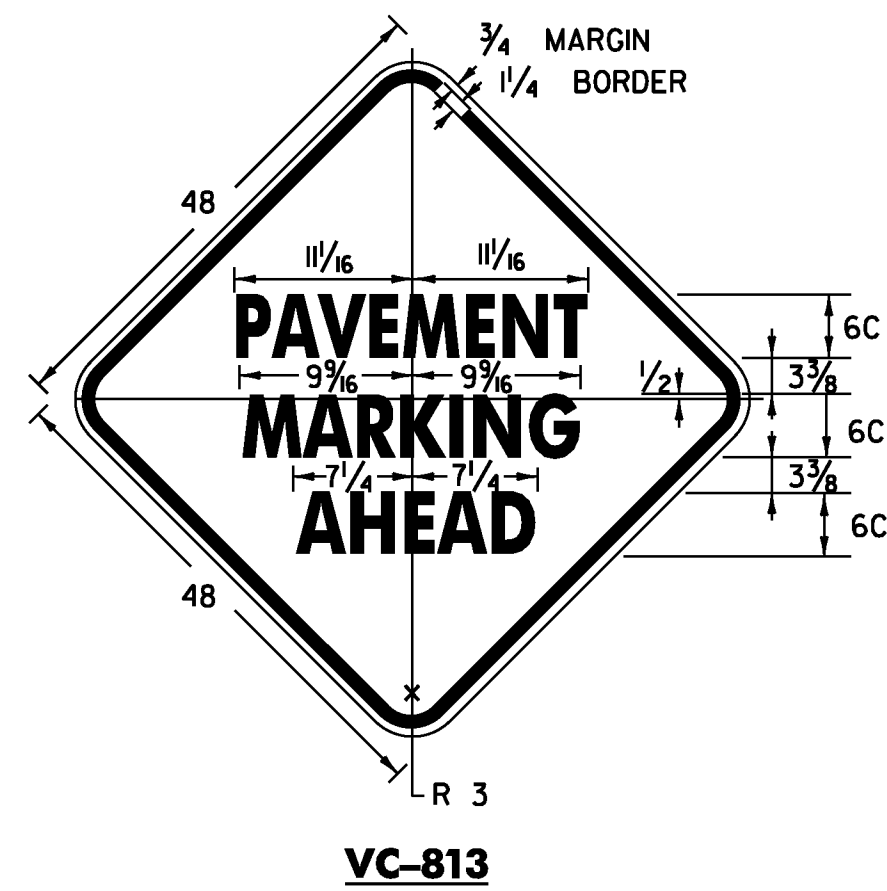
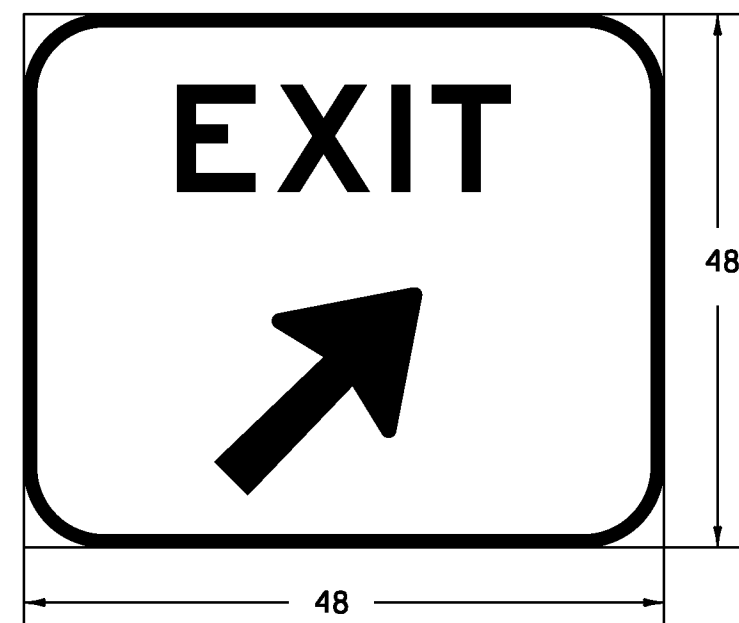


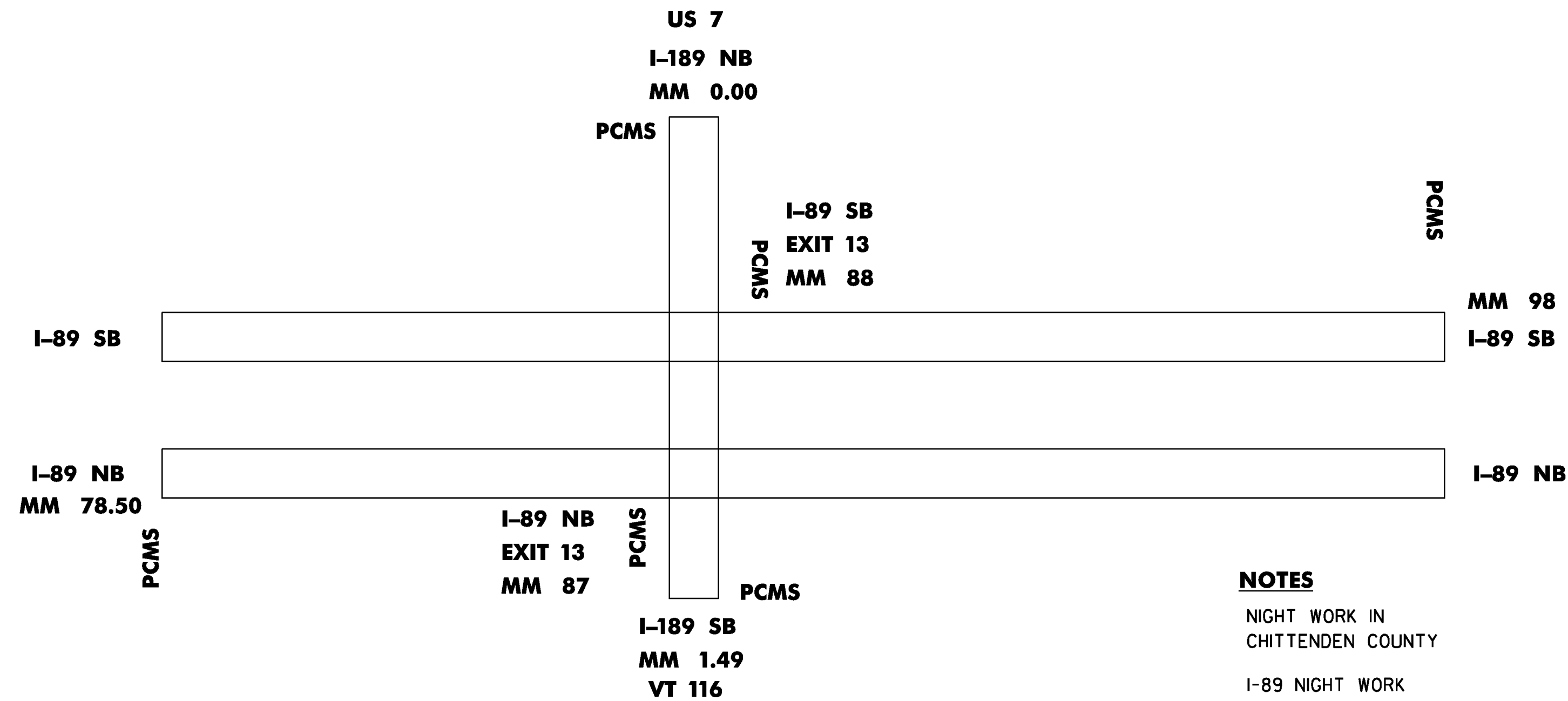
TRAFFIC CONTROL DEVICES



VC-813
 COLORS
 BORDER AND TEXT - BLACK
 BACKGROUND - ORANGE
 (RETROREFLECTIVE)



SEE TYPICAL APPLICATION 42
 MUTCD 2009 (REV.)



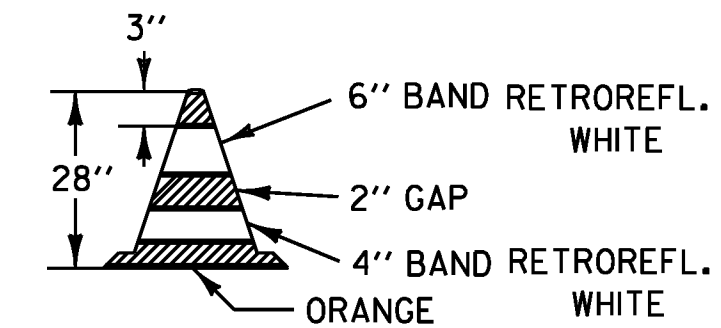
**PCMS PLACEMENT FOR NIGHT WORK
 IN CHITTENDEN COUNTY**

PCMS=PORTABLE CHANGEABLE MESSAGE SIGNS

- NOTES**
- NIGHT WORK IN CHITTENDEN COUNTY
 - I-89 NIGHT WORK MM 78.50 - MM 98.00 EXIT II - EXIT I7 INCLUDES ALL RAMPS
 - I-89 NIGHT WORK MM 0.00 - MM 1.49 INCLUDES ALL RAMPS

NOTES

1. PCMS ARE TO BE PLACED ONE WEEK PRIOR TO COMMENCING NIGHT APPLICATIONS AND REMAIN UNTIL NIGHT APPLICATIONS HAVE ENDED.
2. ALL SIGNS SHALL BE PORTABLE. ALL SIGN SUPPORT SYSTEMS SHALL BE NCHRP-350 OR MASH COMPLIANT. ALL SIGNS SHALL BE PLACED BEFORE ANY WORK BEGINS OR EQUIPMENT IS PUT IN THE ROADWAY. SIGNS SHALL BE COVERED OR REMOVED WHEN NOT APPLICABLE.
3. PORTABLE SIGNS SHALL BE KEPT LEVEL AND VERTICAL TO THE TRAVELING PUBLIC WHEN PLACED ON THE EDGE OF ROADWAY.
4. SAND BAGS OR AN APPROPRIATE BALLASTING DEVICE WHICH DOES NOT PRESENT A HAZARD TO THE IMPACTING VEHICLE OR BECOME A PROJECTILE UPON IMPACT, MAY BE USED TO WEIGHT SIGNS.
5. ALL SIGNING AND DELINEATION DEVICES, AS DETAILED ON THIS SHEET, AND AS REQUIRED BY THE RESIDENT ENGINEER, SHALL BE PAID UNDER ITEM 641JO (TRAFFIC CONTROL).
6. WARNING LIGHTS SHALL NOT BE USED ON CHANNELIZING DEVICES.



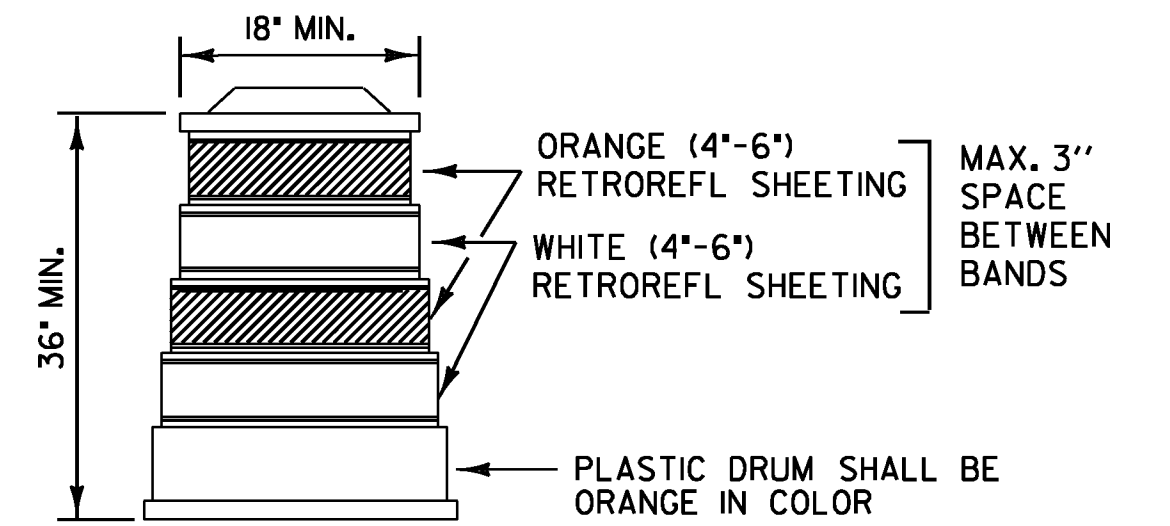
NOTES

1. 28" CONES SHALL BE USED ON ROADWAYS WITH SPEED LIMITS OF 35 MPH OR MORE AND ON ALL ROADWAYS DURING HOURS OF DARKNESS.
2. CONES MAY BE WEIGHTED TO PREVENT OVERTURNING, HOWEVER THE WEIGHTS SHALL NOT PRESENT A HAZARD IF THE CONE IS STRUCK.
3. RETROREFLECTIVE SHEETING SHALL BE AT A MINIMUM ASTM TYPE III.

28" REFLECTORIZED CONE

NOTES

1. SAND BAGS OR AN APPROPRIATE BALLASTING DEVICE, WHICH DOES NOT PRESENT A HAZARD TO THE IMPACTING VEHICLE OR BECOME A PROJECTILE UPON IMPACT, SHALL BE USED TO WEIGHT DRUMS.
2. RETROREFLECTIVE SHEETING SHALL BE AT A MINIMUM ASTM TYPE III.



REFLECTORIZED PLASTIC DRUM

NOT TO SCALE

| | | |
|--------------------------------|--------------------------------------|------------------------|
| TRAFFIC CONTROL DEVICES | PROJECT NAME: STATEWIDE | |
| | PROJECT NUMBER: IMG MARK(111) | |
| | DESIGN FILE NAME: Ila008.dgn | PLOT DATE: 14-MAR-2011 |
| | PROJECT MANAGER: A GAMBLE | DRAWN BY: KAS |
| | IPARM FILE NAME: Ila008+cd.I | SHEET: 8 OF 29 |