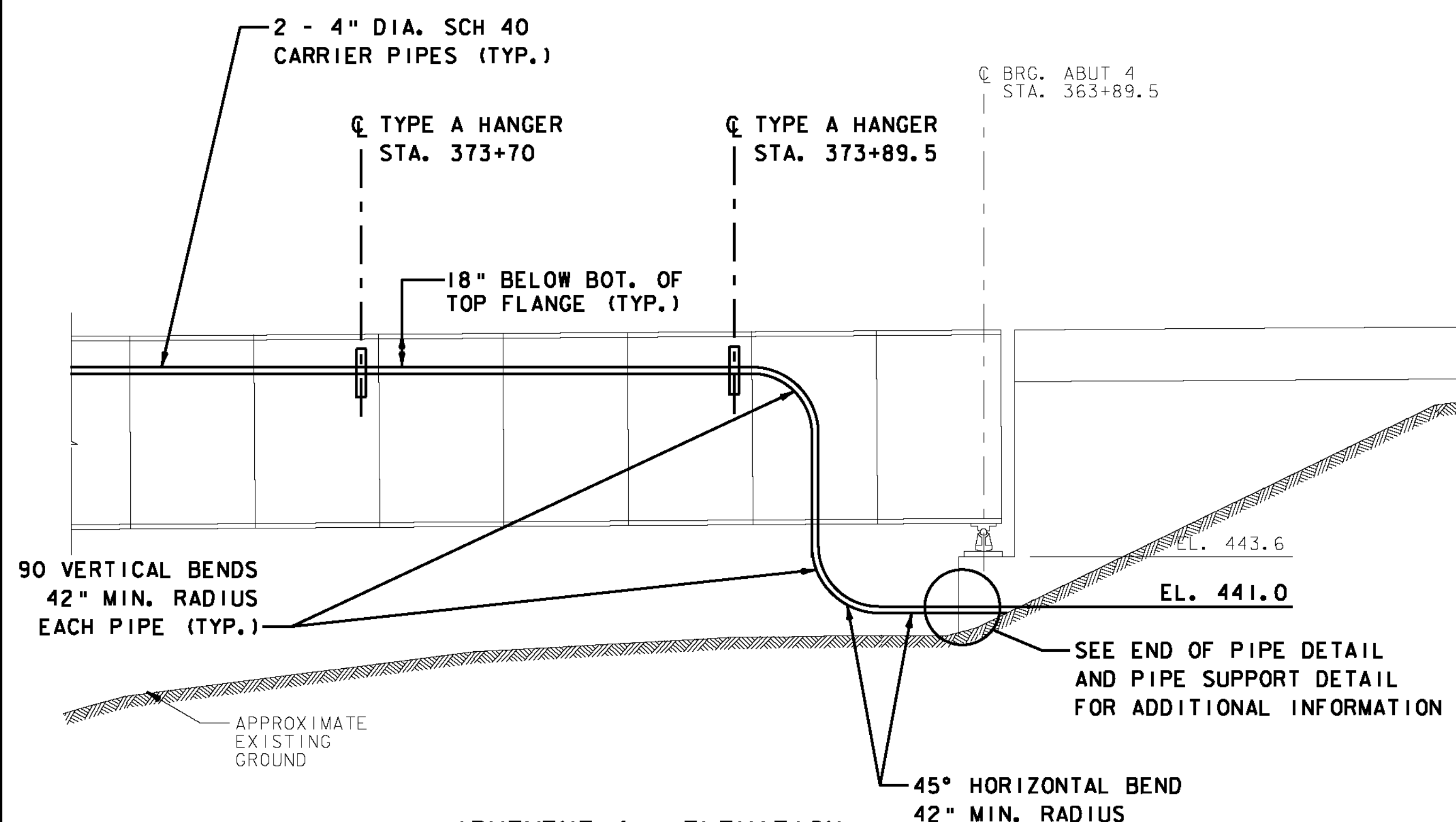
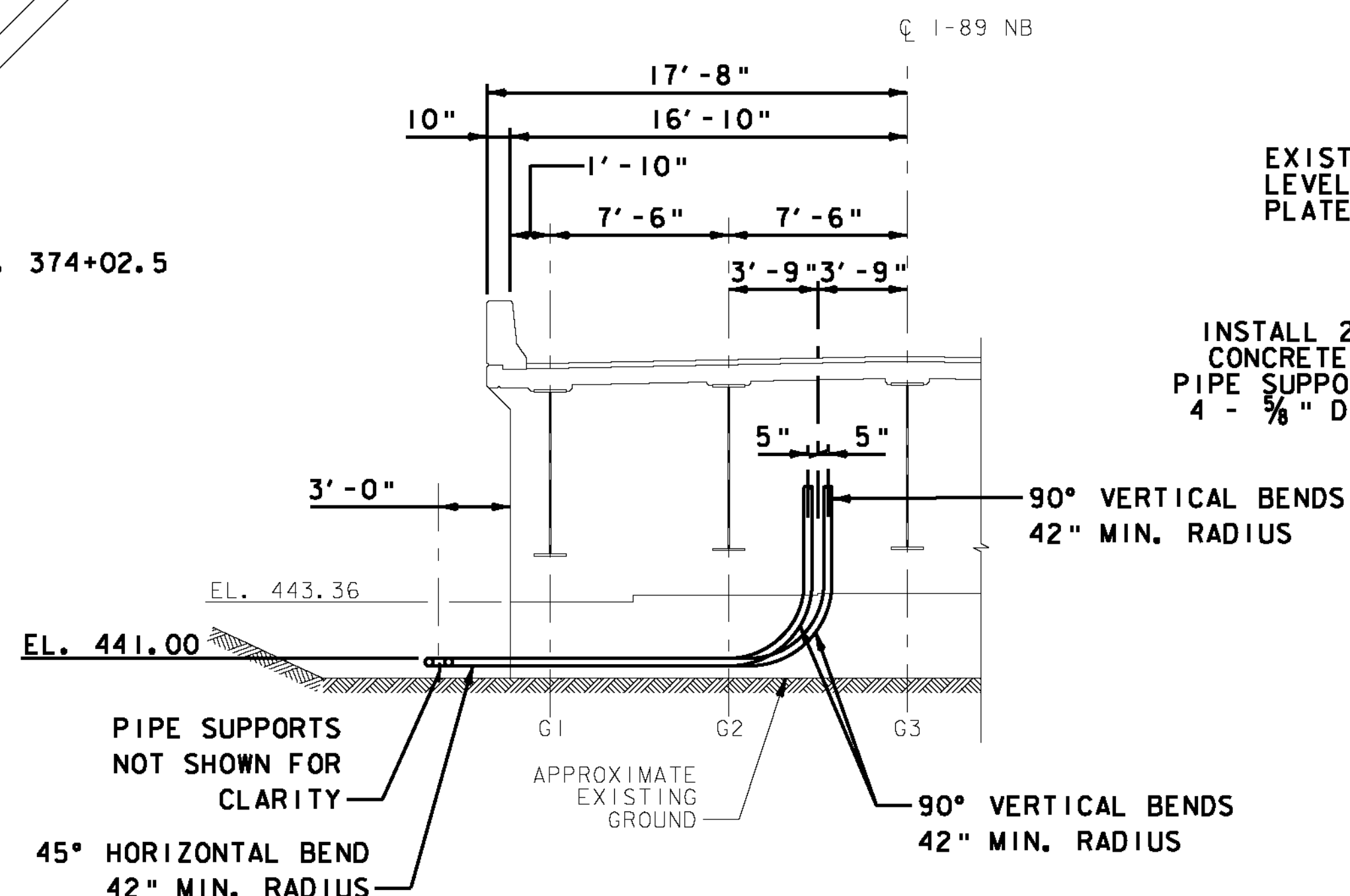


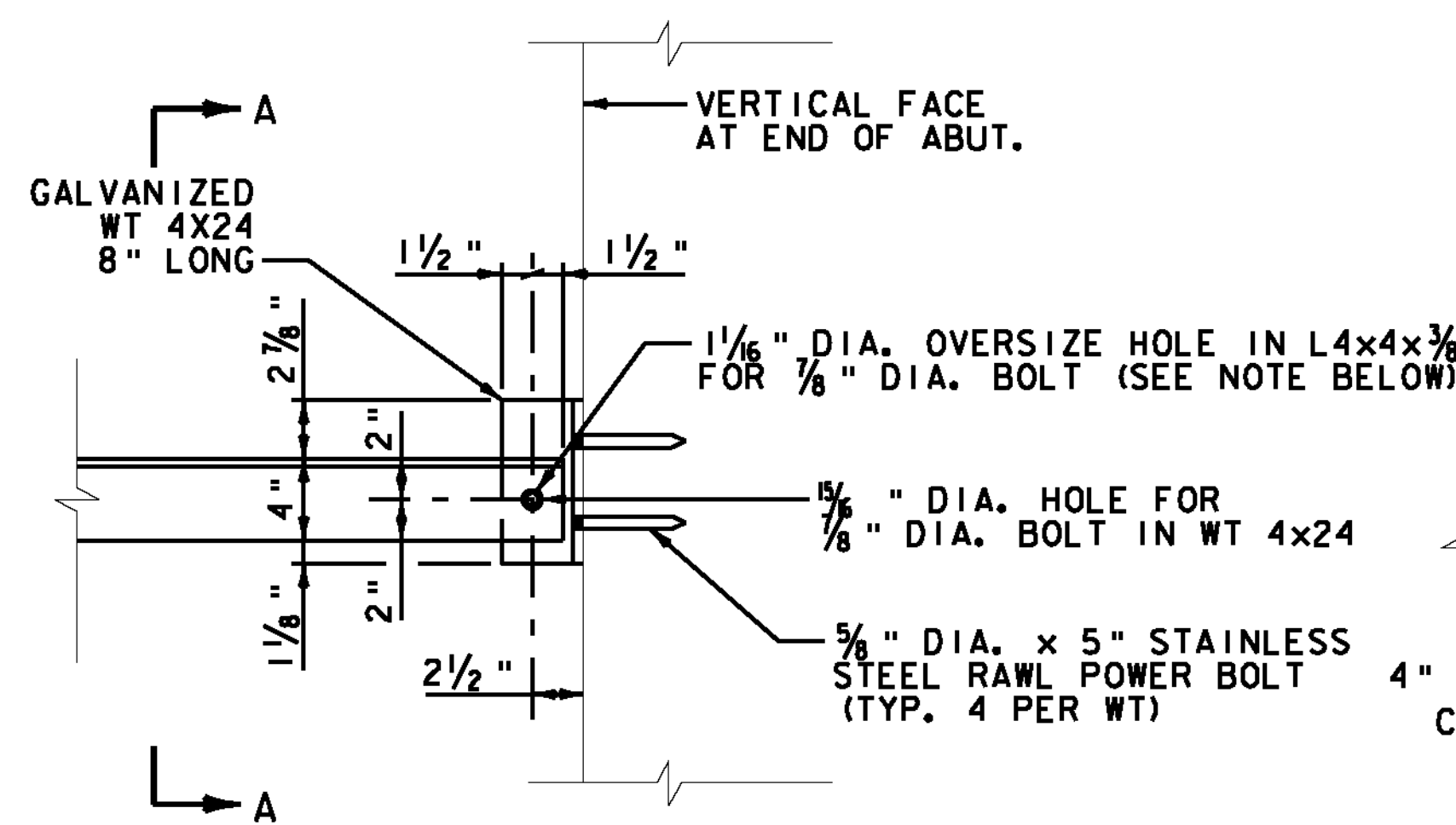
ABUTMENT 4 - PLAN
SCALE 3/16" = 1'-0"
1 0 2 4 6 8



ABUTMENT 4 - ELEVATION
SCALE 3/16" = 1'-0"
1 0 2 4 6 8



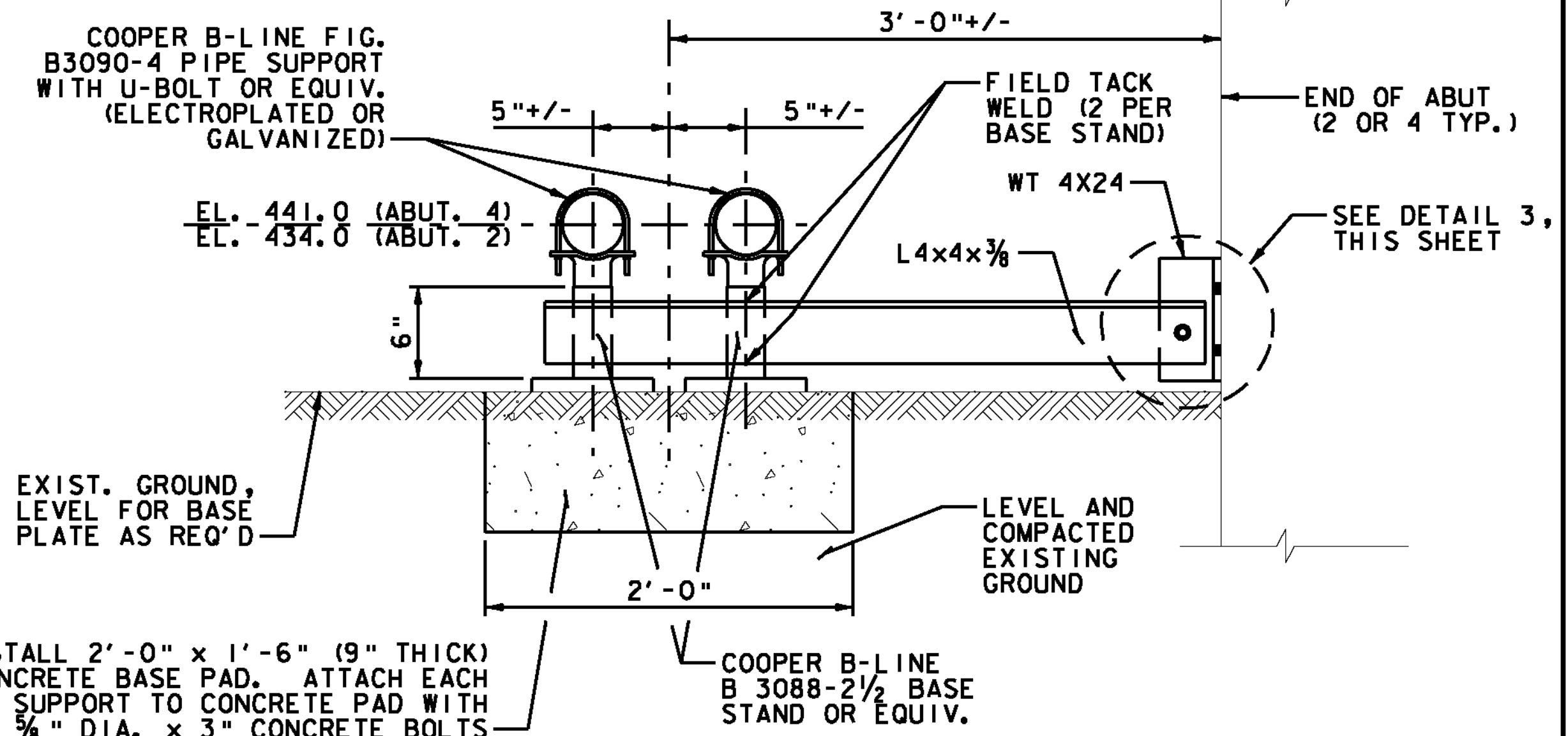
SECTION B-B
SCALE 3/16" = 1'-0"
1 0 2 4 6 8



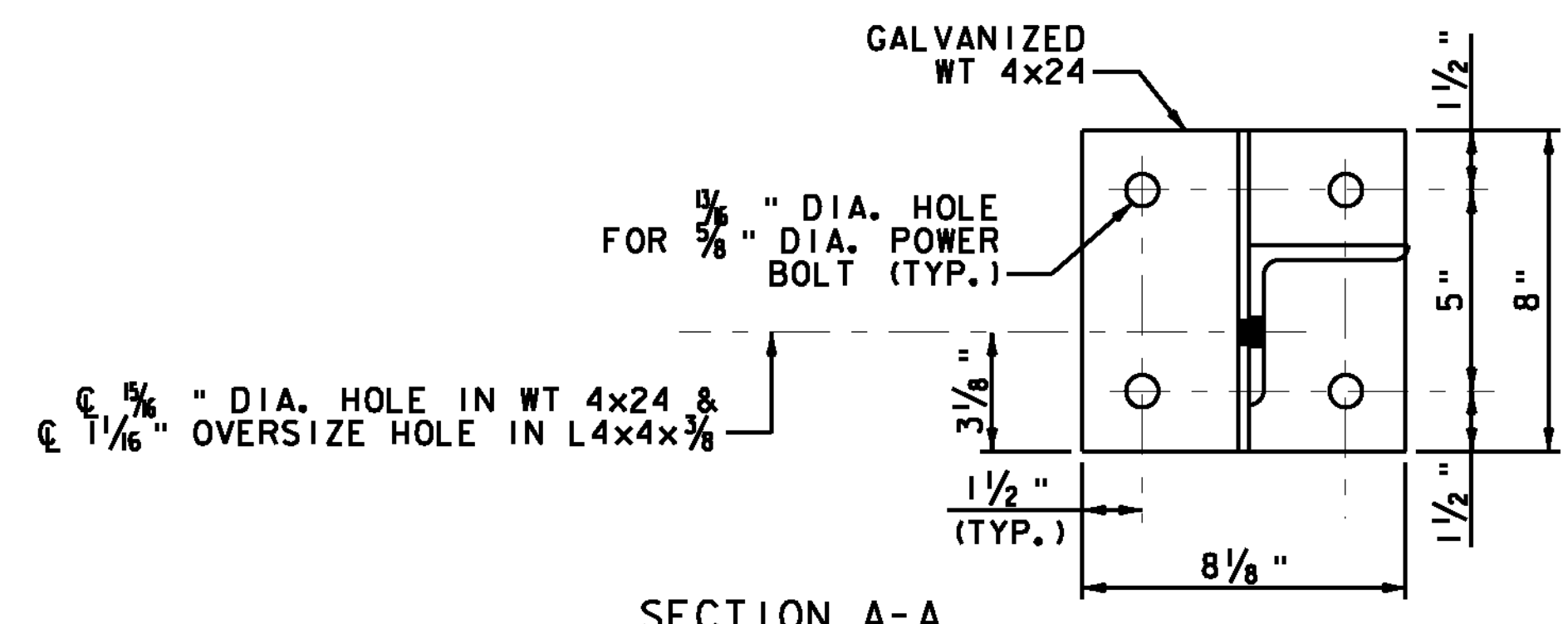
NOTE: INSTALL 7/8" DIA. A325 BOLT HANDTIGHT AND DOUBLE NUT TO ALLOW ROTATION.

DETAIL 3
PIPE SUPPORT BRACKET
(TYPICAL AT ABUTMENTS 2 & 4)

SCALE 1/2" = 1'-0"
1 0 2 4 6 8

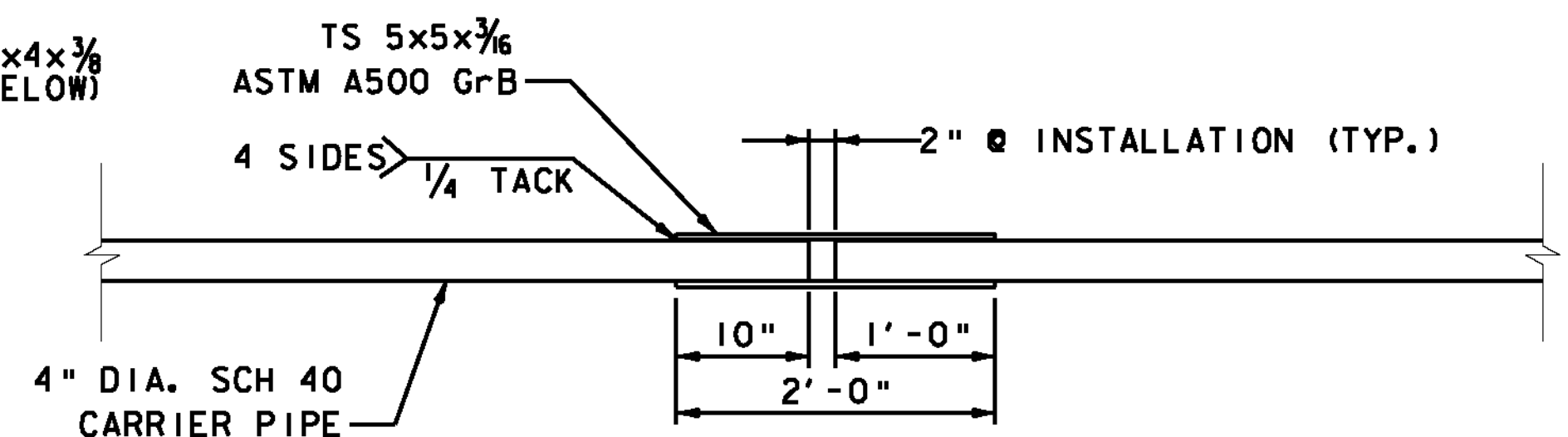


PIPE SUPPORT DETAIL
SECTION VIEW
SCALE 1/2" = 1'-0"
1 0 2 4 6 8



SECTION A-A

SCALE 3" = 1'-0"
1 0 2 4 6 8



NOTE: SEE FRAMING PLAN FOR LOCATIONS (8 REQUIRED)

CARRIER PIPE EXPANSION JOINT DETAIL

SCALE 1" = 1'-0"
1 0 2 4 6 8

PROJECT NAME: HARTFORD SHARON
PROJECT NUMBER: FITS503

FILE NAME: z06e142ABUT4.dgn
PROJECT LEADER: J. YOUNG
DESIGNED BY: S. BOYINGTON
BRIDGE 11N ABUTMENT 4 DETAILS

PLOT DATE: 9/15/2010
DRAWN BY: S. GUNN
CHECKED BY: J. WILSON
SHEET 48 OF 70