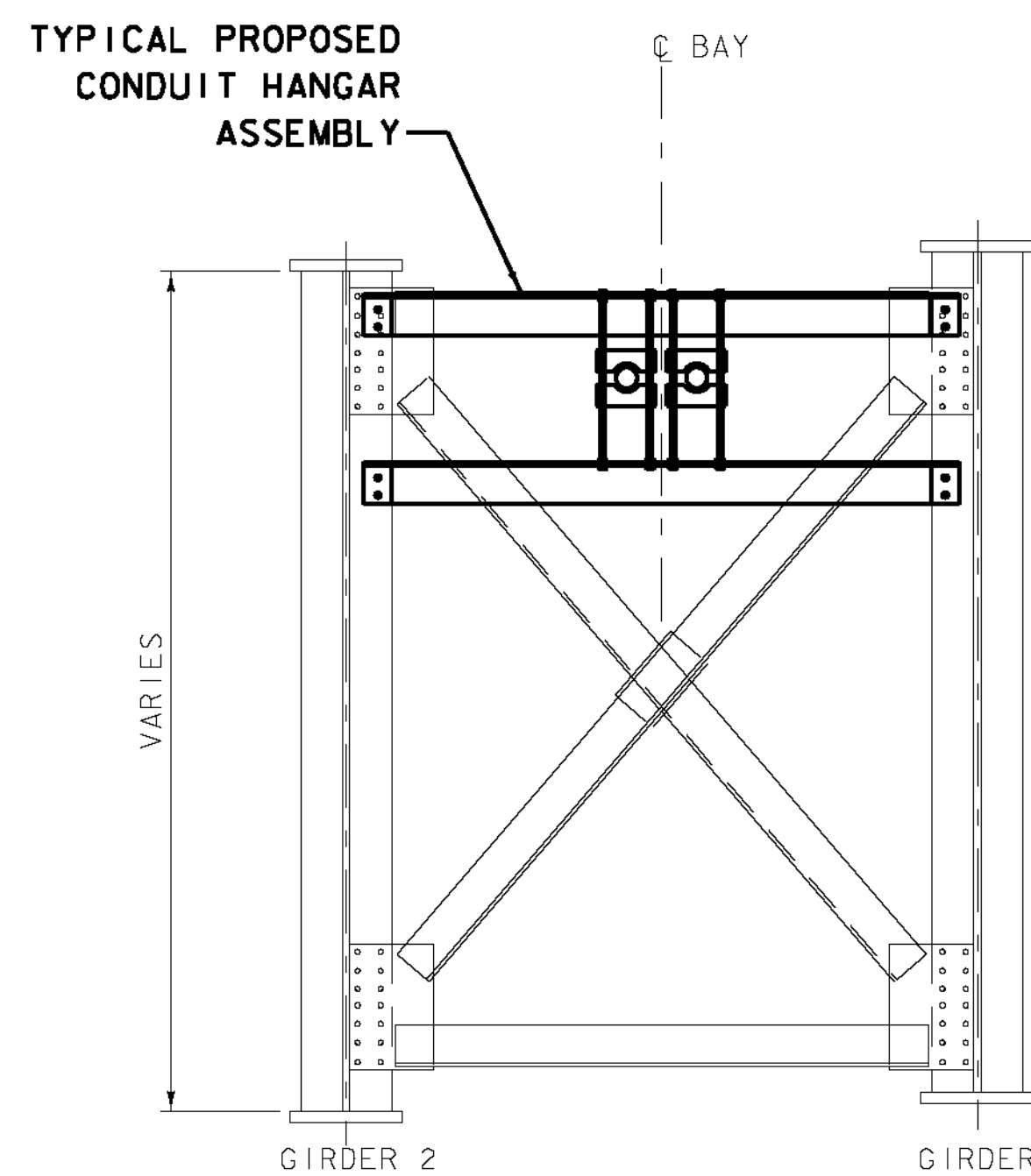


PROPOSED CONDUIT HANGER ASSEMBLY, SEE DETAIL 1 THIS SHEET

TYPICAL TRANSVERSE SECTION AT MIDSPAN
LOOKING NORTH

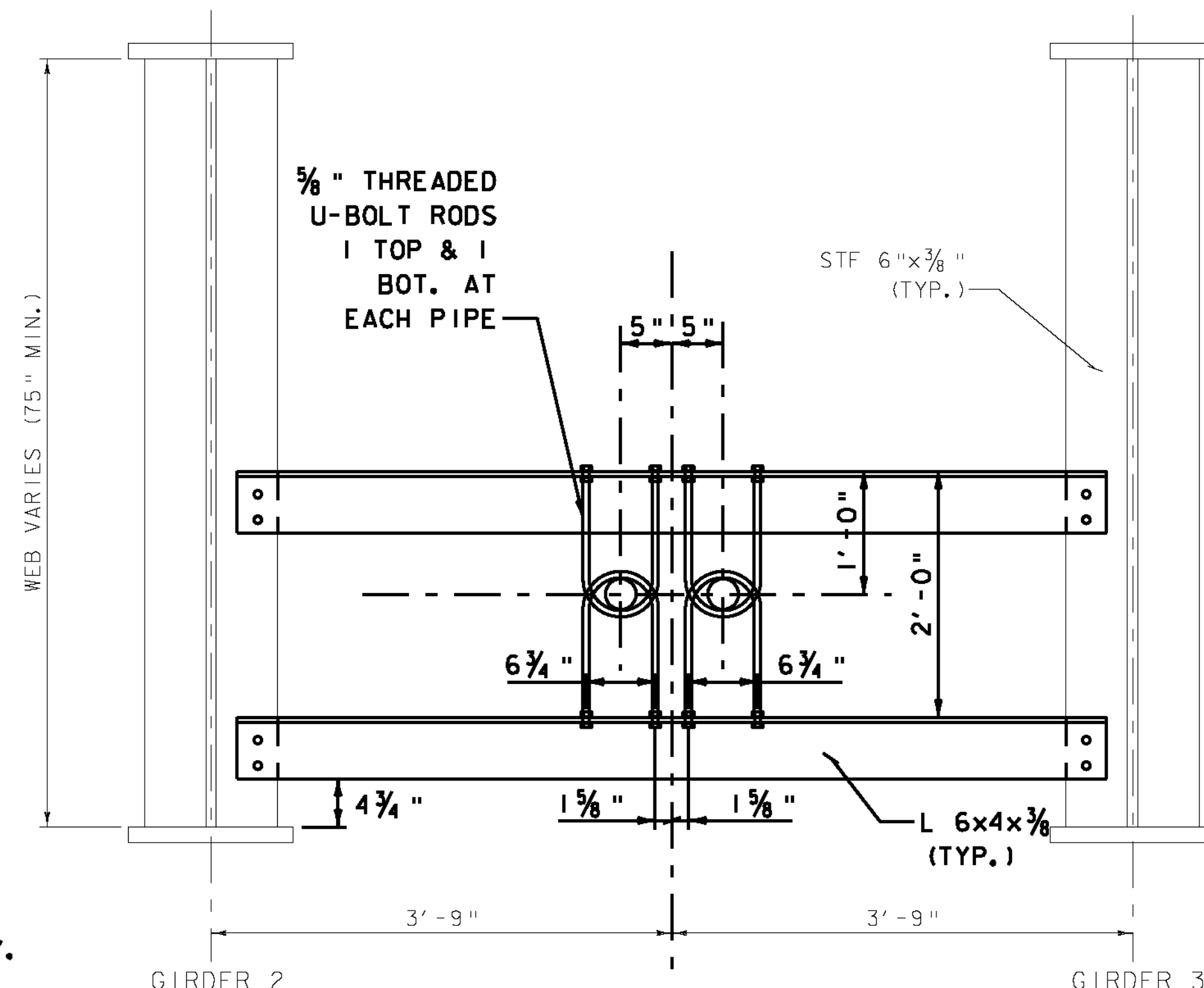
SCALE 1/2" = 1'-0"
1 0 1 2



NOTE: PROPOSED HANGER ASSEMBLY AND EXISTING CROSS-FRAME SHOWN TOGETHER FOR CLARITY. SEE HANGER LAYOUT ON FRAMING PLAN.

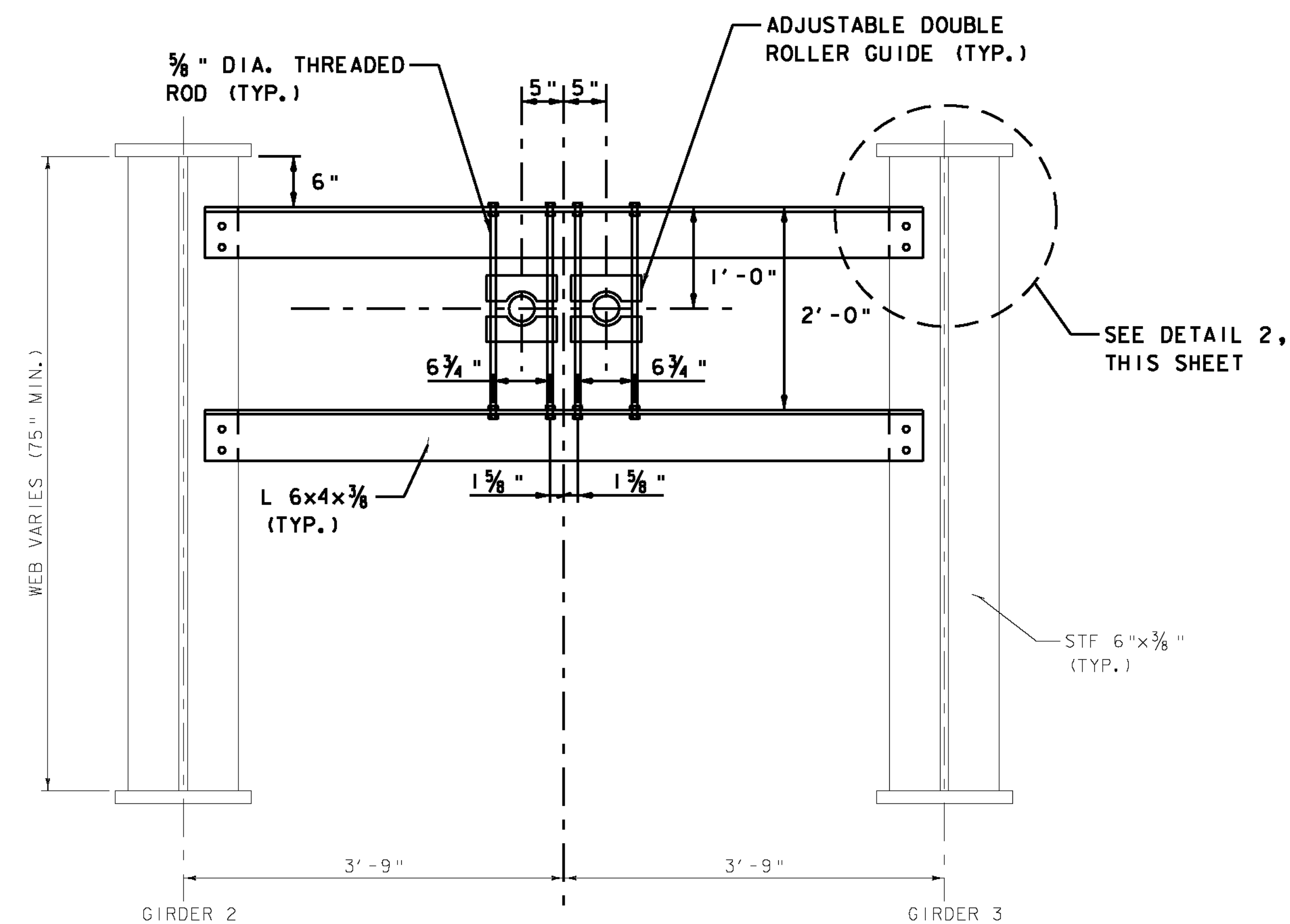
TYPICAL CROSS-FRAME AT PIER

SCALE 1/2" = 1'-0"
1 0 1 2



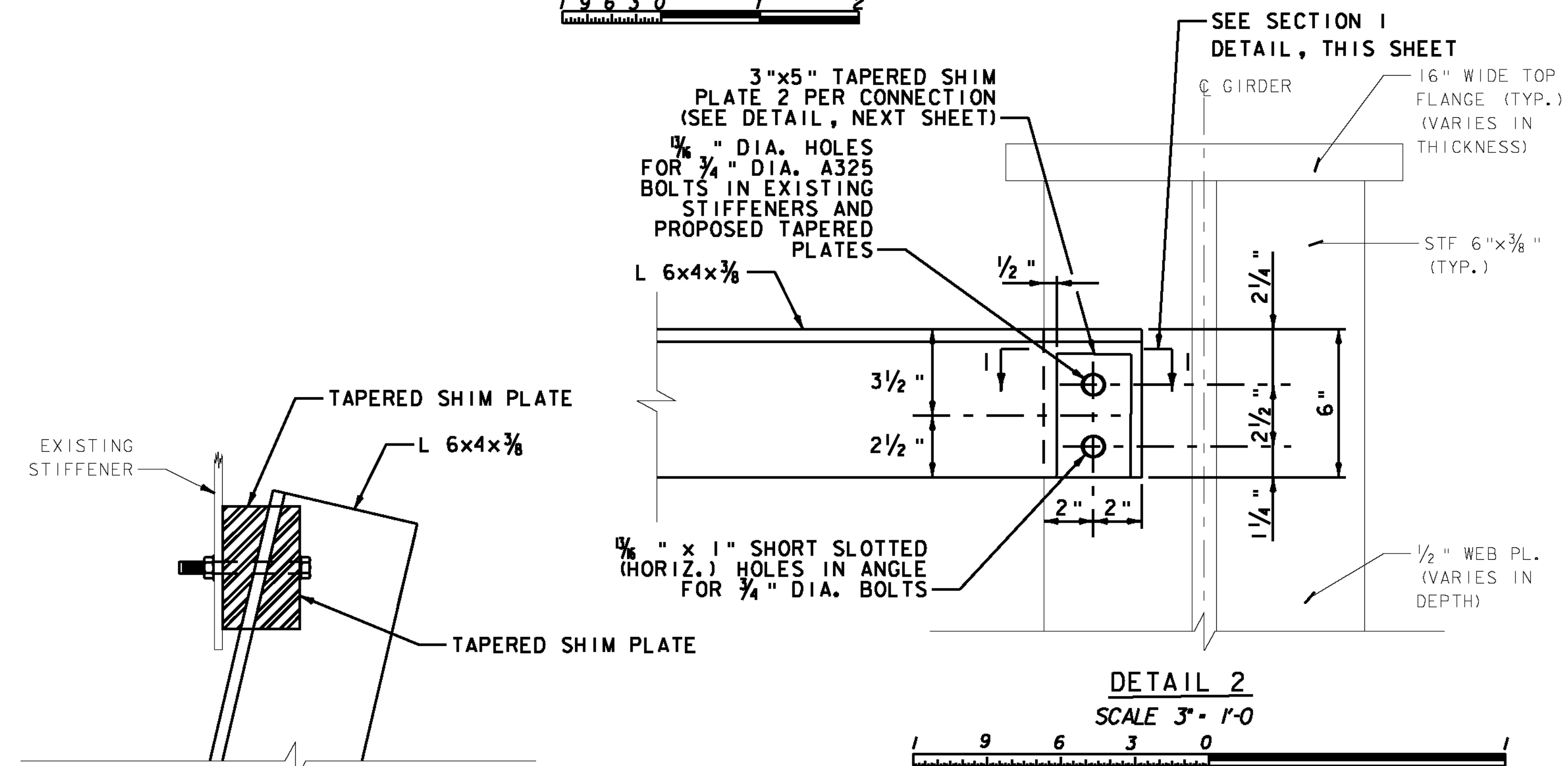
DETAIL 3
TYPE A (MODIFIED) CONDUIT HANGER ASSEMBLY

STA. 363+72 +/-
SCALE 1" = 1'-0"
1 9 6 3 0 1 2



DETAIL 1
TYPICAL ITS CONDUIT HANGER ASSEMBLY
TYPE A SHOWN; TYPES B, C, D SIMILAR

SCALE 1" = 1'-0"
1 9 6 3 0 1 2



DETAIL 2
SCALE 3" = 1'-0"

PROJECT NAME: HARTFORD SHARON
PROJECT NUMBER: FITS503

FILE NAME: z06e142SECT.dgn
PROJECT LEADER: J. YOUNG
DESIGNED BY: S. BOYINGTON
BRIDGE 11N HANGER SYSTEM SECTIONS

PLOT DATE: 9/15/2010
DRAWN BY: S. GUNN
CHECKED BY: J. WILSON
SHEET 46 OF 70