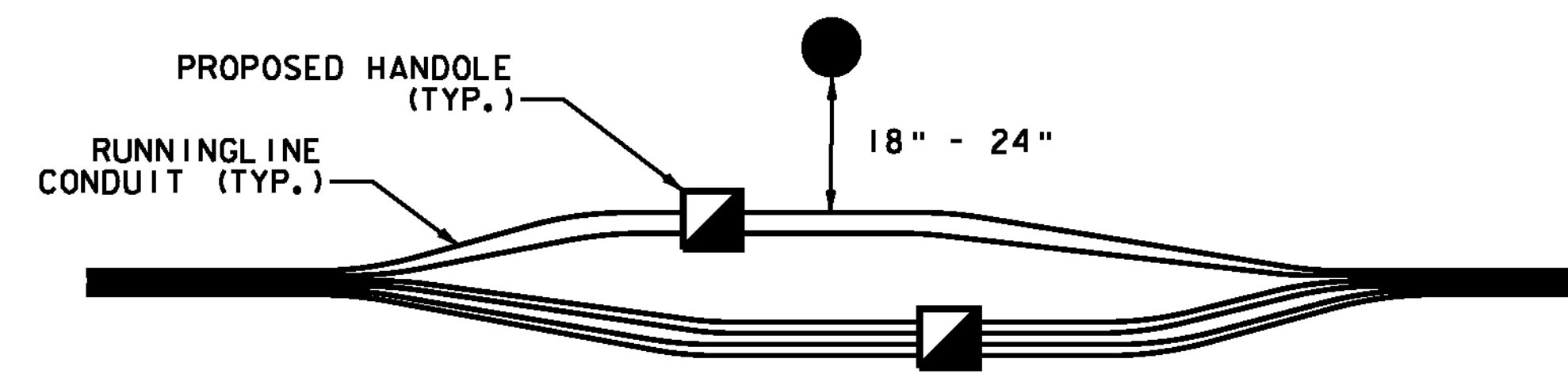
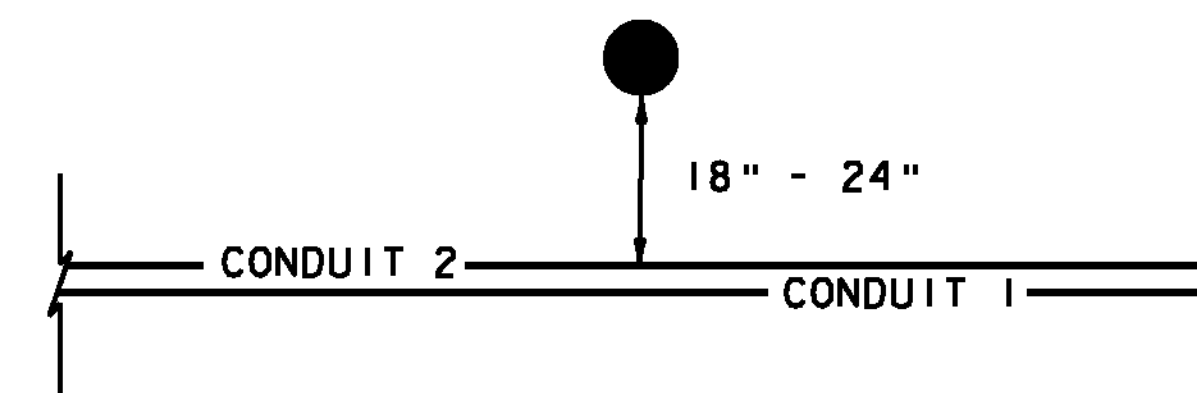


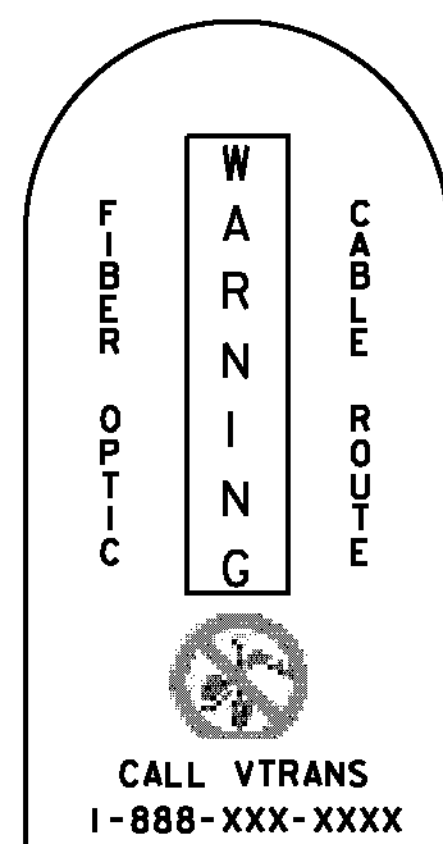
COTT MARKER DETAIL
NOT TO SCALE



UTILITY MARKER AT HANDHOLE
NOT TO SCALE



UTILITY MARKER AT RUNNING LINE
NOT TO SCALE



NOTE: CONTRACTOR TO VERIFY PHONE NUMBER
UTILITY MARKER LEGEND
NOT TO SCALE

PROJECT NAME: HARTFORD SHARON
PROJECT NUMBER: FITS503

FILE NAME: z06e142CDTL5.dgn
PROJECT LEADER: J. YOUNG
DESIGNED BY: J. DURANTE
CONSTRUCTION DETAILS 5
PLOT DATE: 10/1/2010
DRAWN BY: S. GUNN
CHECKED BY: J. YOUNG
SHEET 40 OF 70