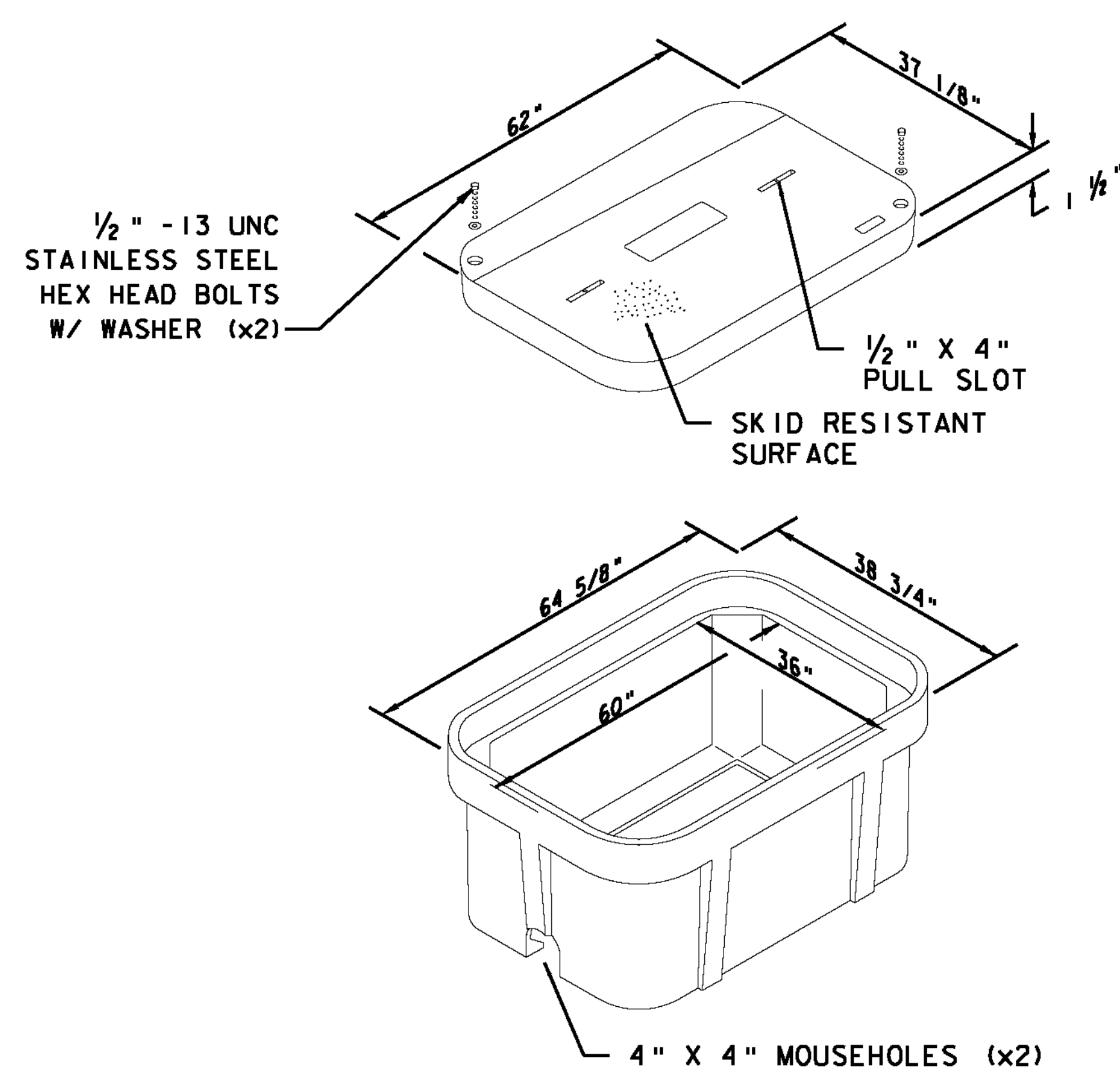
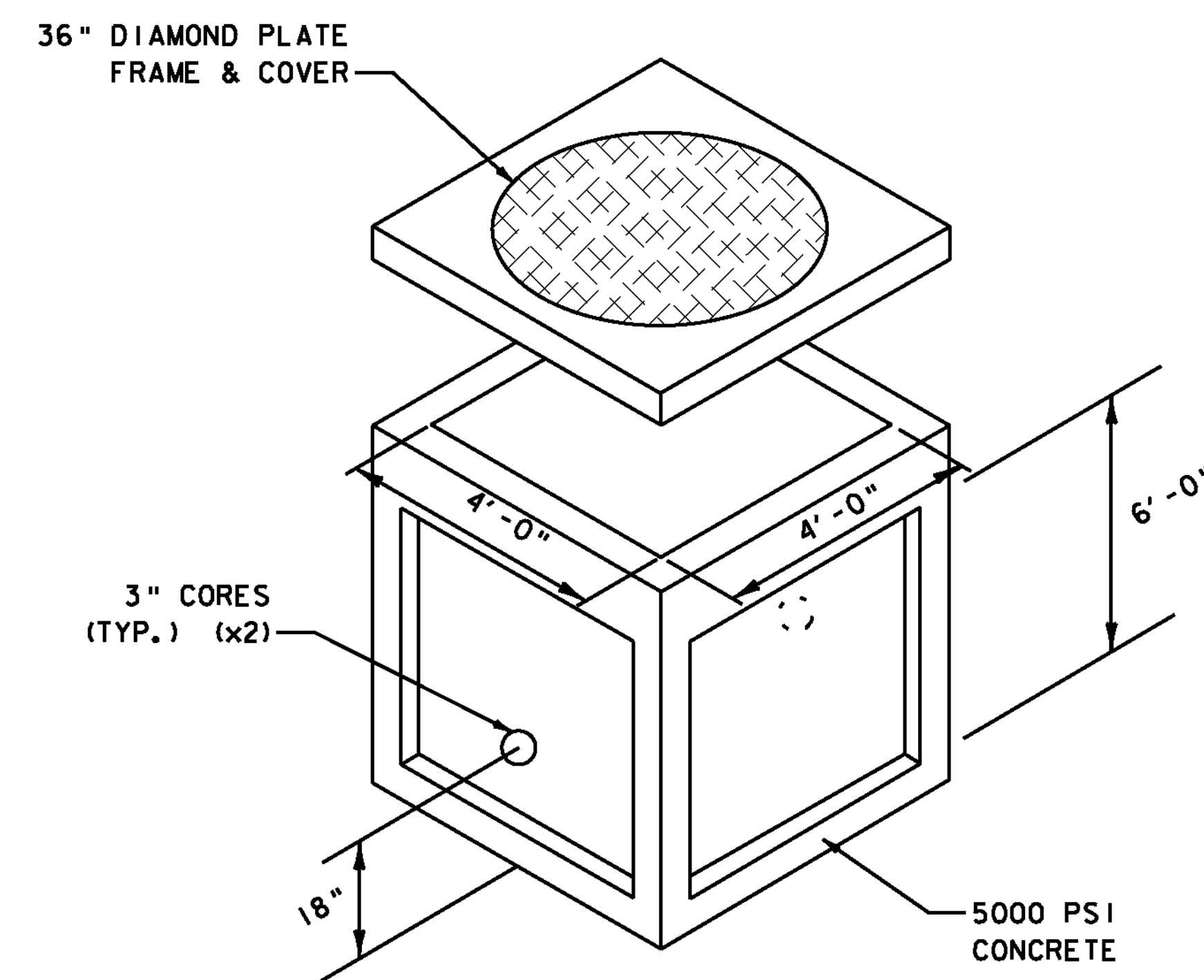


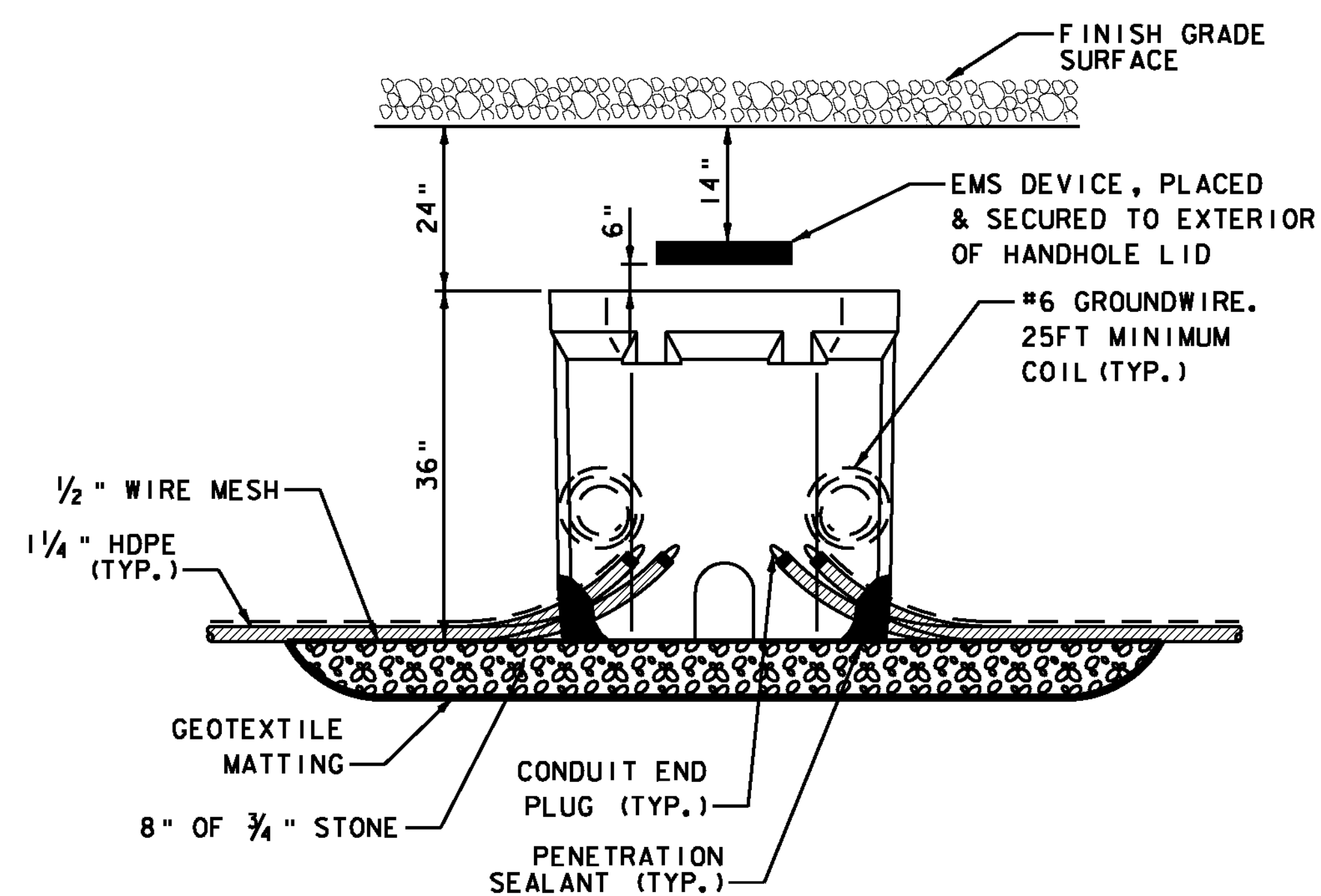
4FT x 6FT STACKABLE HANDHOLE
NOT TO SCALE



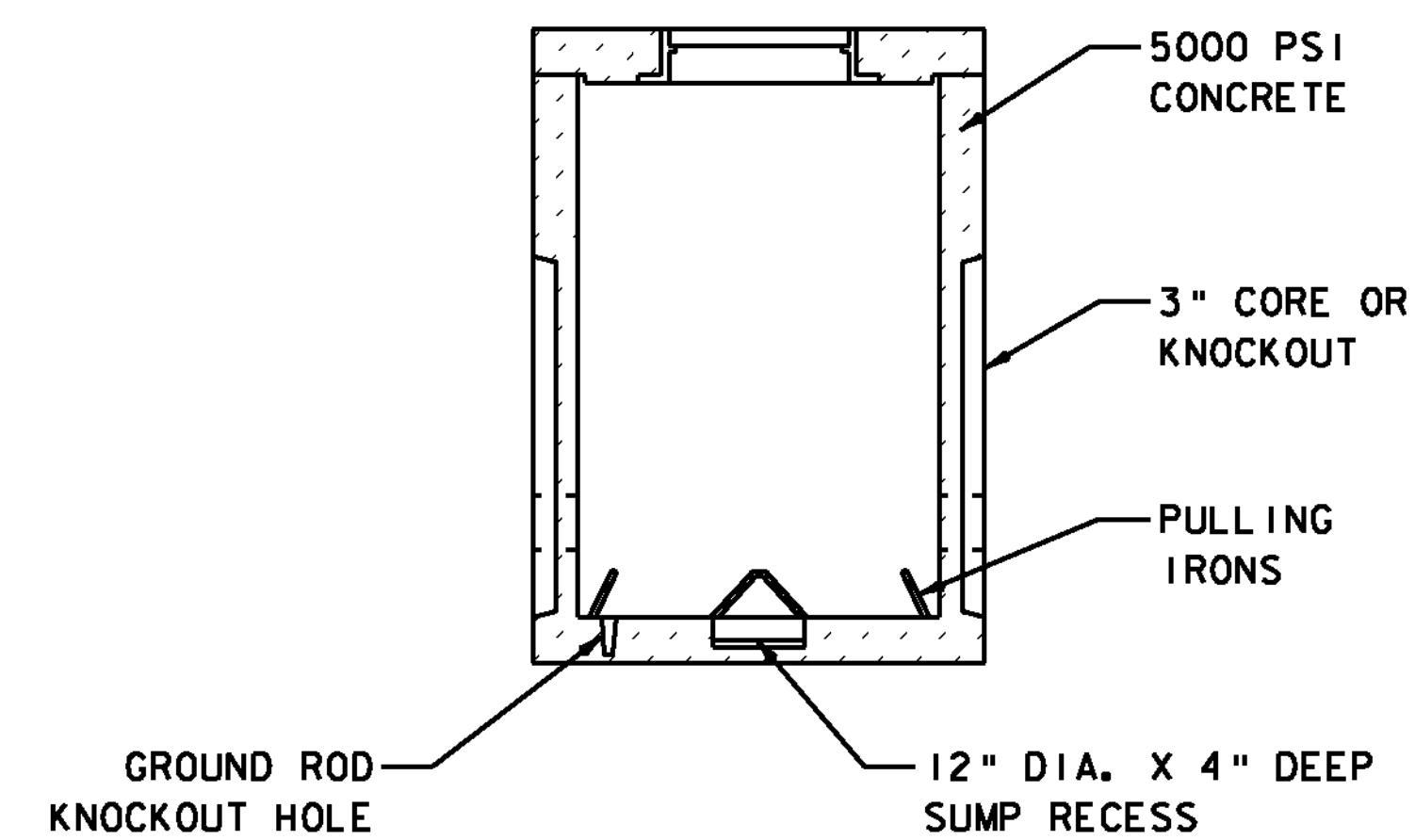
3FT x 5FT STACKABLE HANDHOLE
NOT TO SCALE



CONCRETE MANHOLE
4FT x 4FT x 6FT - ONE PIECE MANHOLE
NOT TO SCALE



TYPICAL HANDHOLE PROFILE INSTALLATION
NOT TO SCALE



CONCRETE MANHOLE - PROFILE VIEW
4FT x 4FT x 6FT - ONE PIECE MANHOLE
NOT TO SCALE

PROJECT NAME: HARTFORD SHARON
PROJECT NUMBER: FITS503

FILE NAME: z06e142CDTL4.dgn
PROJECT LEADER: J. YOUNG
DESIGNED BY: J. DURANTE
CONSTRUCTION DETAILS 4
PLOT DATE: 9/16/2010
DRAWN BY: S. GUNN
CHECKED BY: J. YOUNG
SHEET 39 OF 70