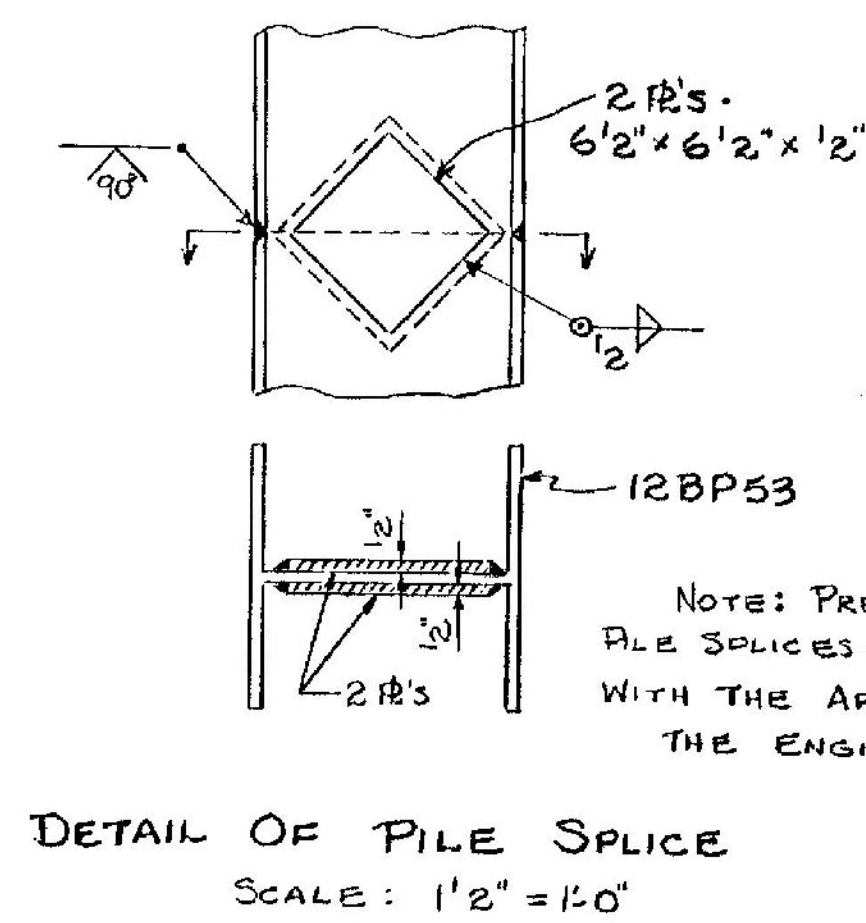
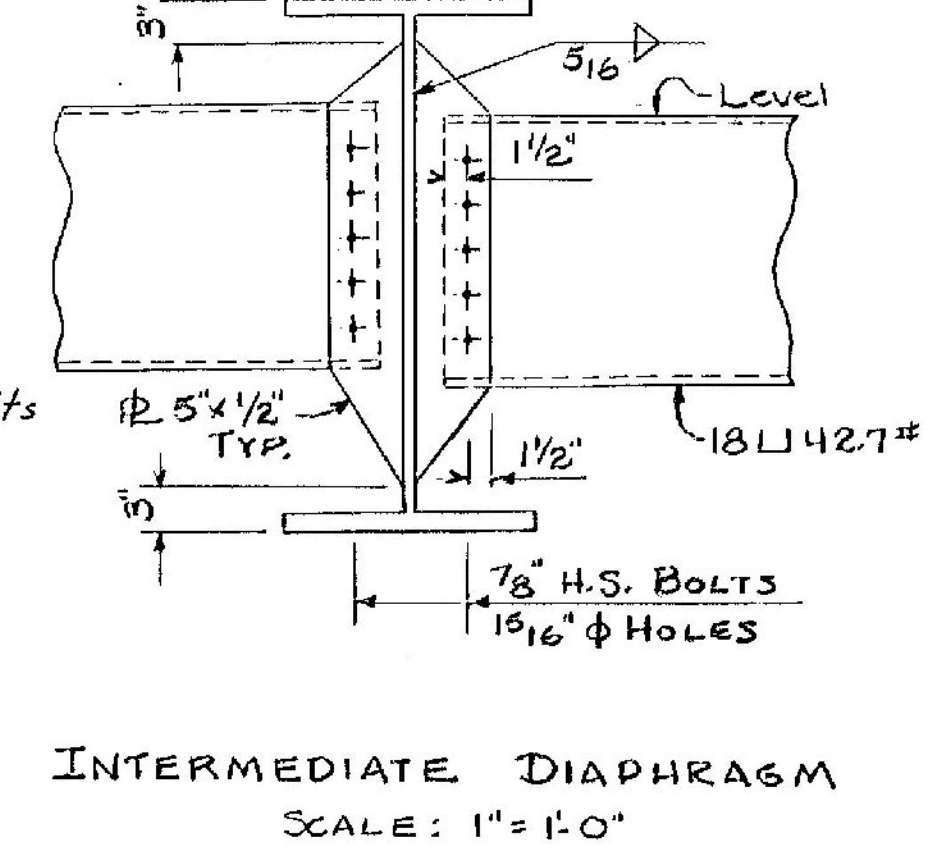
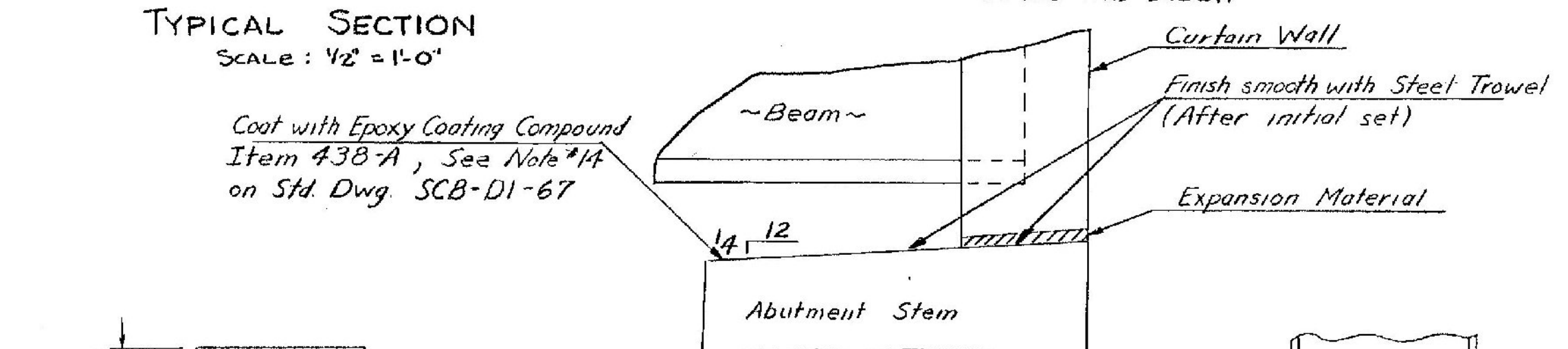
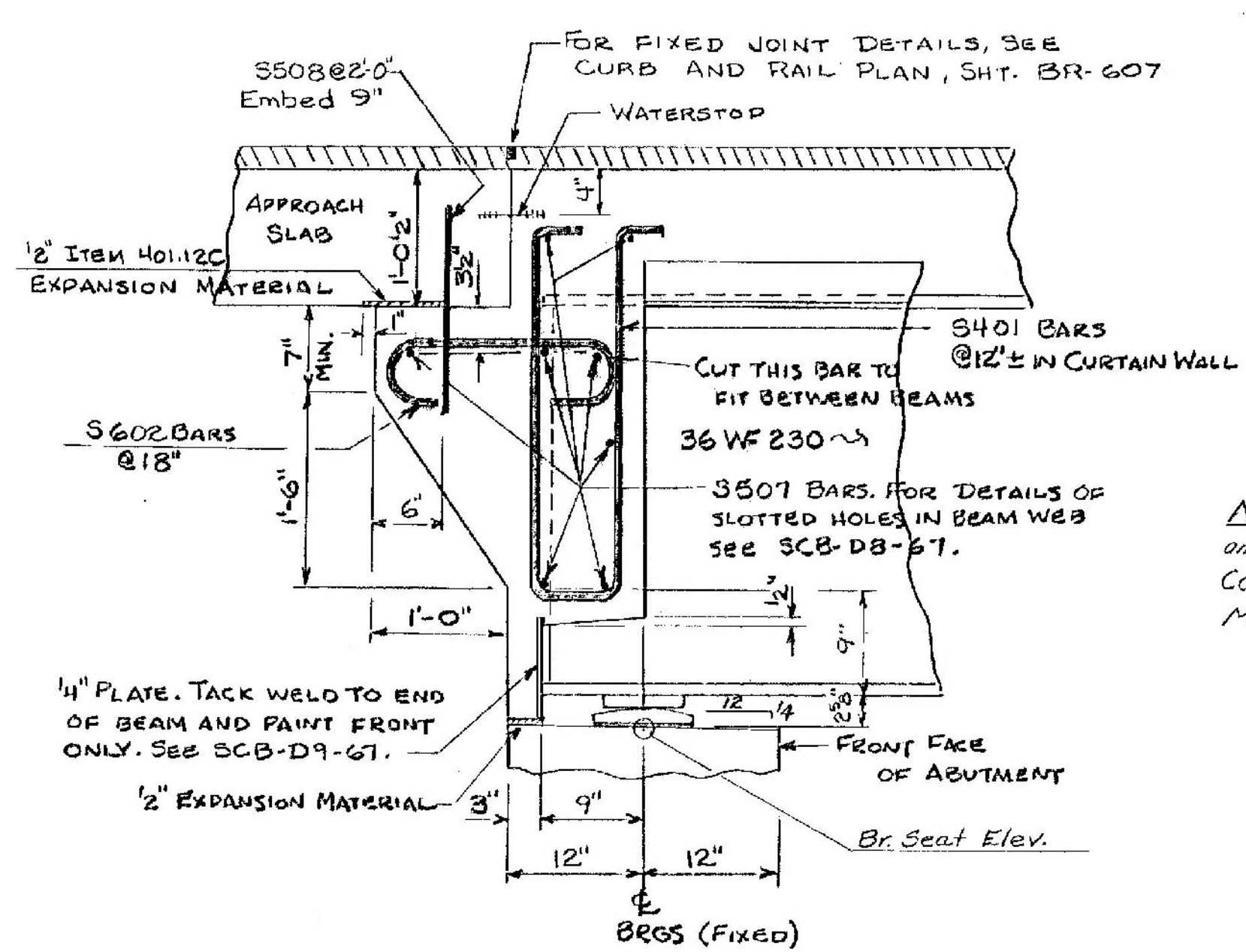


- NOTES:
1. GRANITE BRIDGE CURBS SHALL BE ALIGNED HORIZONTALLY AND VERTICALLY.
 2. LAYOUT AND DETAIL DRAWINGS FOR GRANITE BRIDGE CURB, ITEM 556-C, SHALL BE SUBMITTED IN TRIPPLICATE TO THE STATE OF VERMONT FOR APPROVAL PRIOR TO FABRICATION AND SHIPMENT. GRANITE CURB ENDS SHALL BE SAWED SQUARE AT THE ABUTMENT CURB JOINTS. GRANITE CURB SHALL BE FURNISHED IN RANDOM LENGTHS RANGING FROM 4' MINIMUM TO 10' MAXIMUM.

LYNDON IRASBURG
IM MEMB (29)
SHEET 43 OF 55
BRIDGE NO. 105N & 105S
FOR REFERENCE ONLY



Note: 1/8" H.S. Bolts and Washers Shall Conform to AASHTO M-164

NOTE: PREFABRICATED PILE SPLICES MAY BE USED WITH THE APPROVAL OF THE ENGINEER.

Stage 1 Construction

STATE OF VERMONT
DEPARTMENT OF HIGHWAYS

PROJECT: BARTON
TOWN OF BARTON BRIDGE 105
ROUTE NO. 191 191 STA 2357+25
INTERSTATE OVER I.H.#29
SUPERSTRUCTURE DETAILS
SCALE: AS NOTED
SECTION SUPERVISOR: E.W. Bolcum-4/70
DRAWN BY: BETE CHECKED BY: LABD
PROJECT NO. 191-2011
SHEET 120 OF 222 BR-606