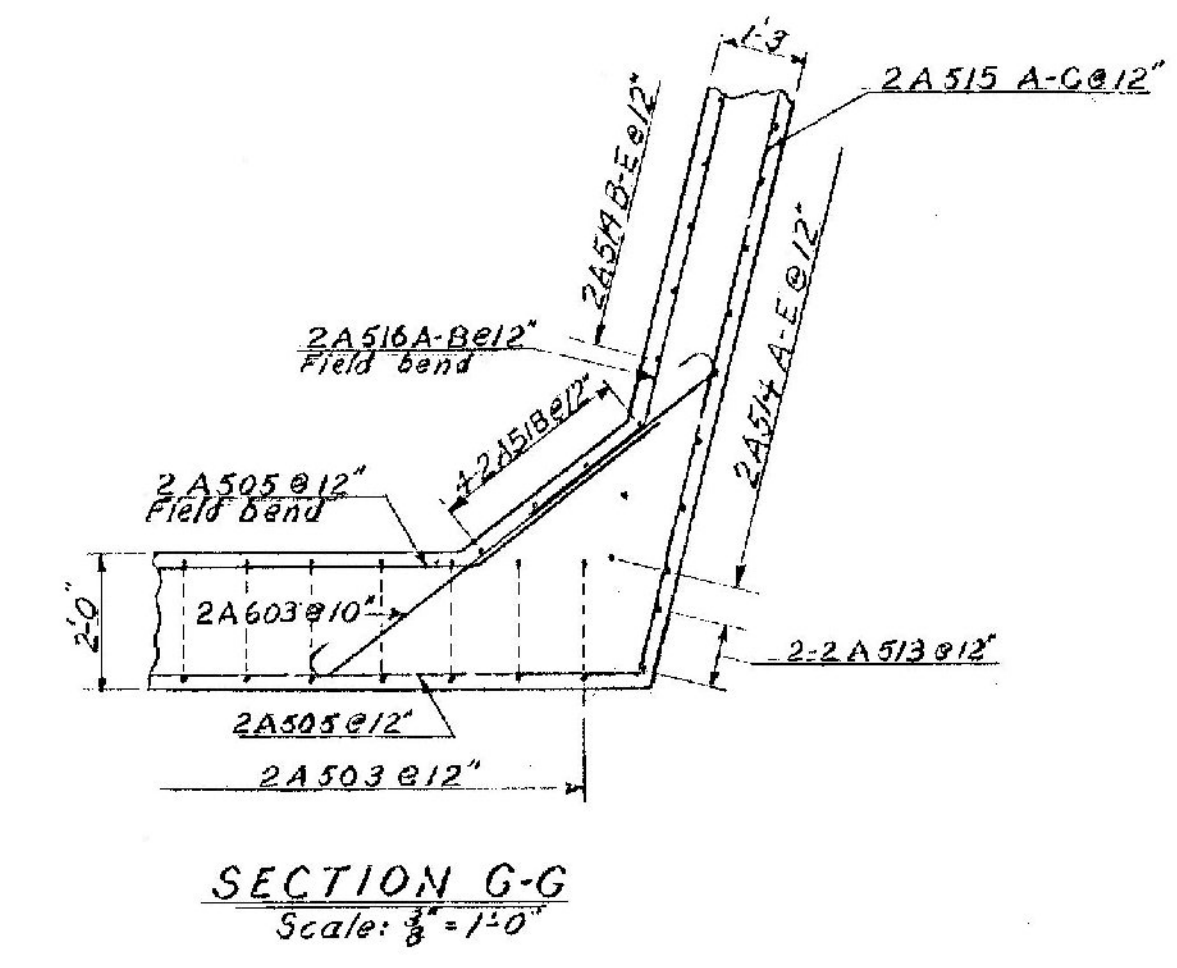
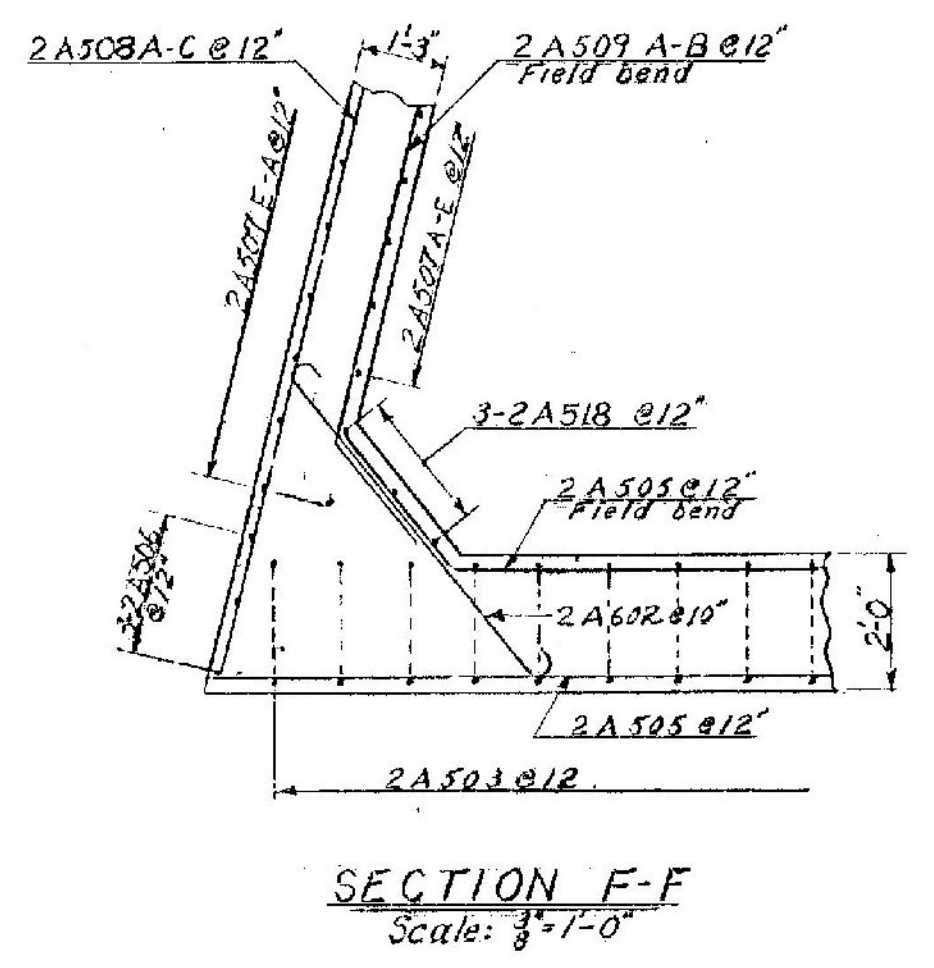
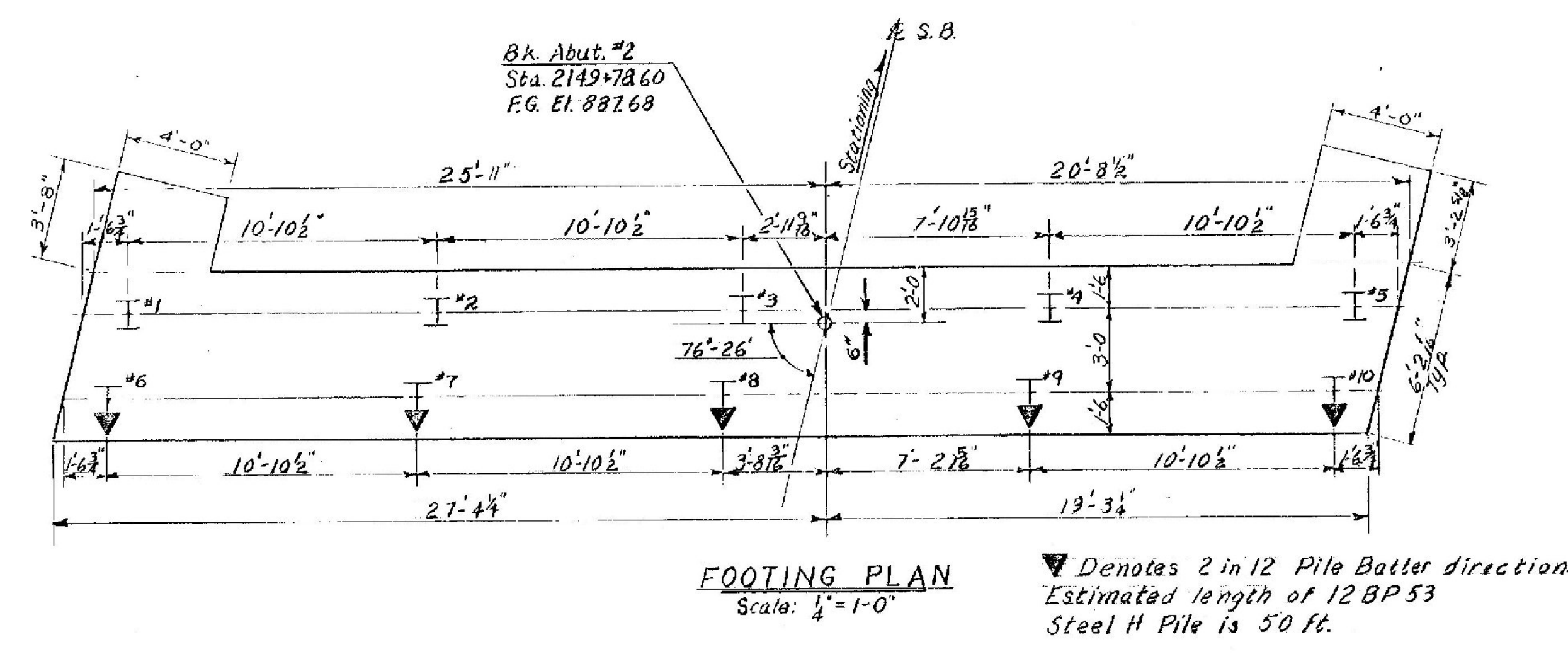
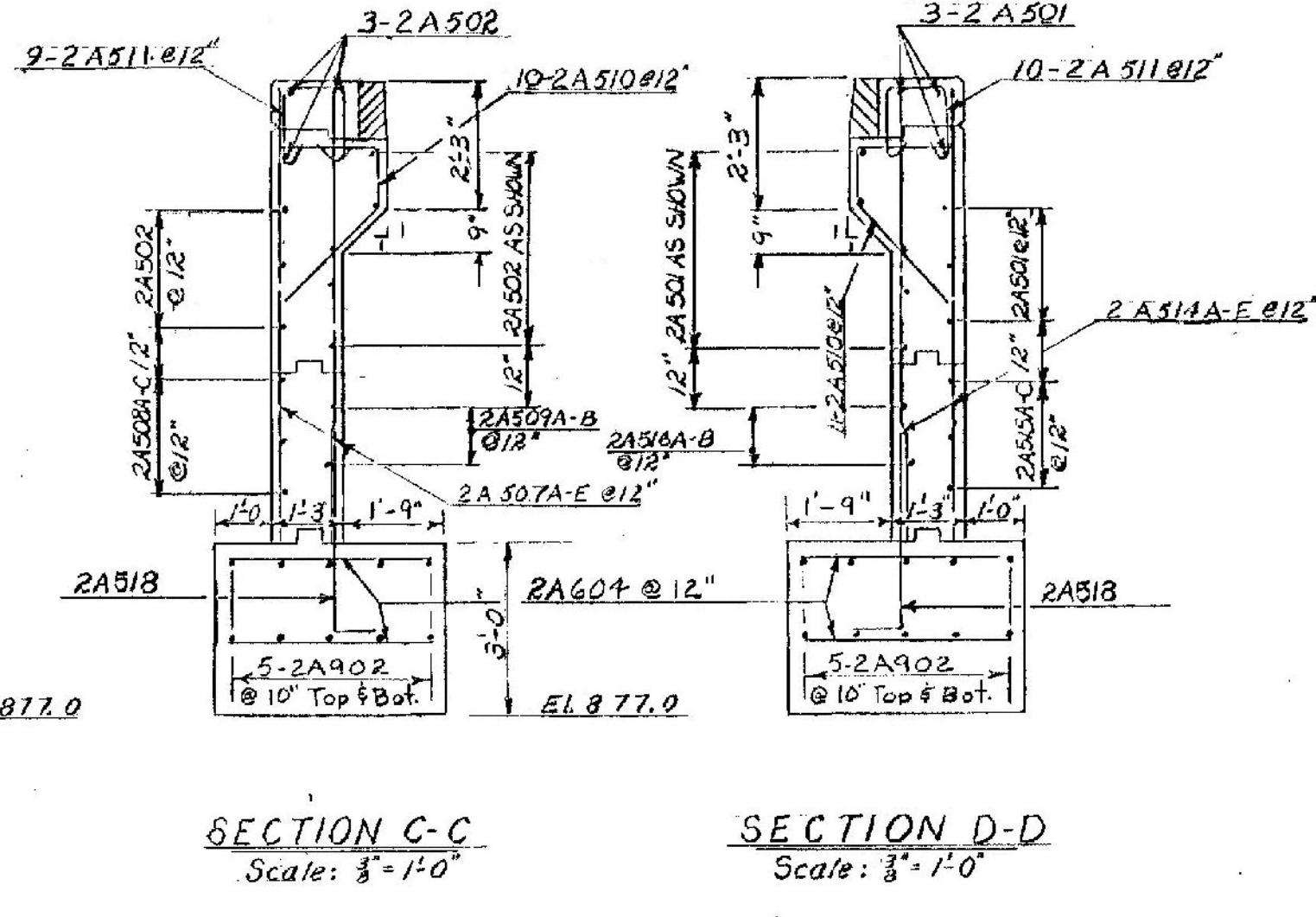
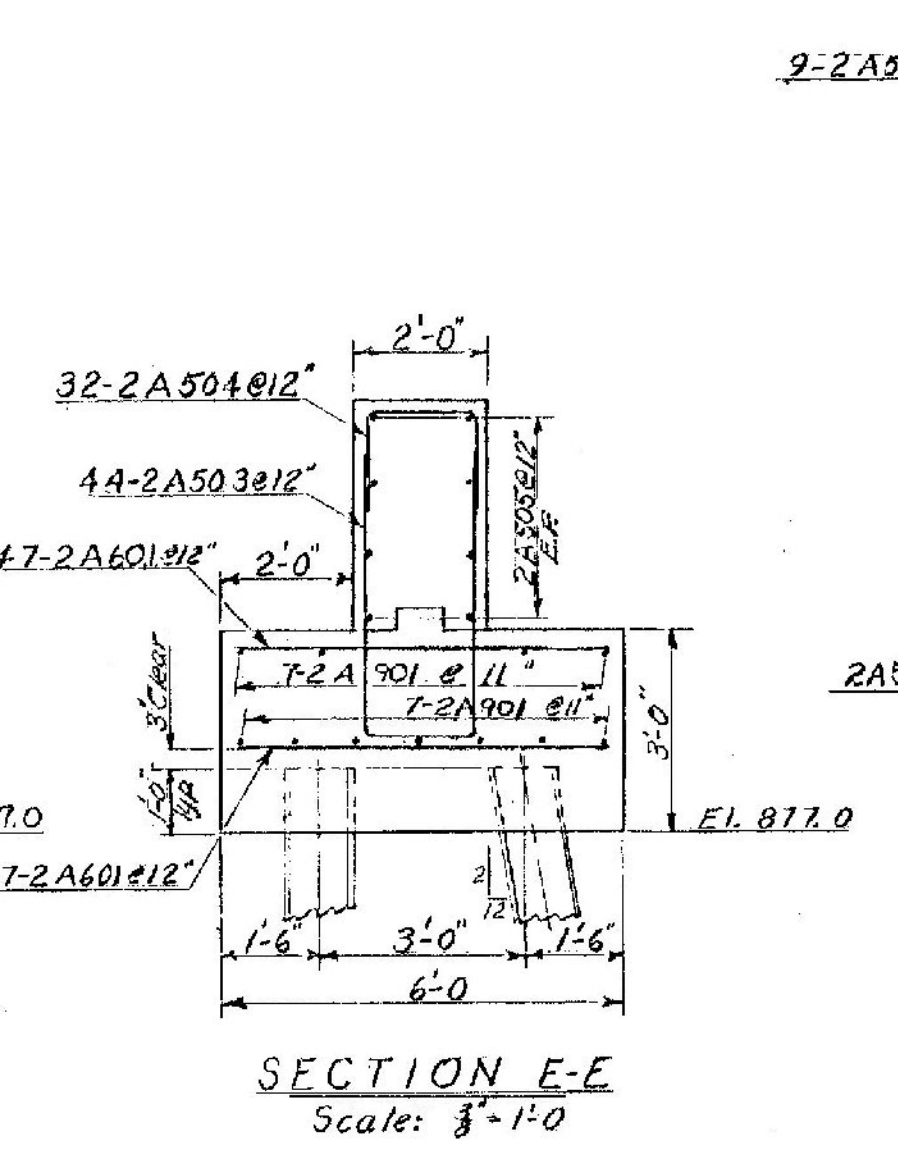
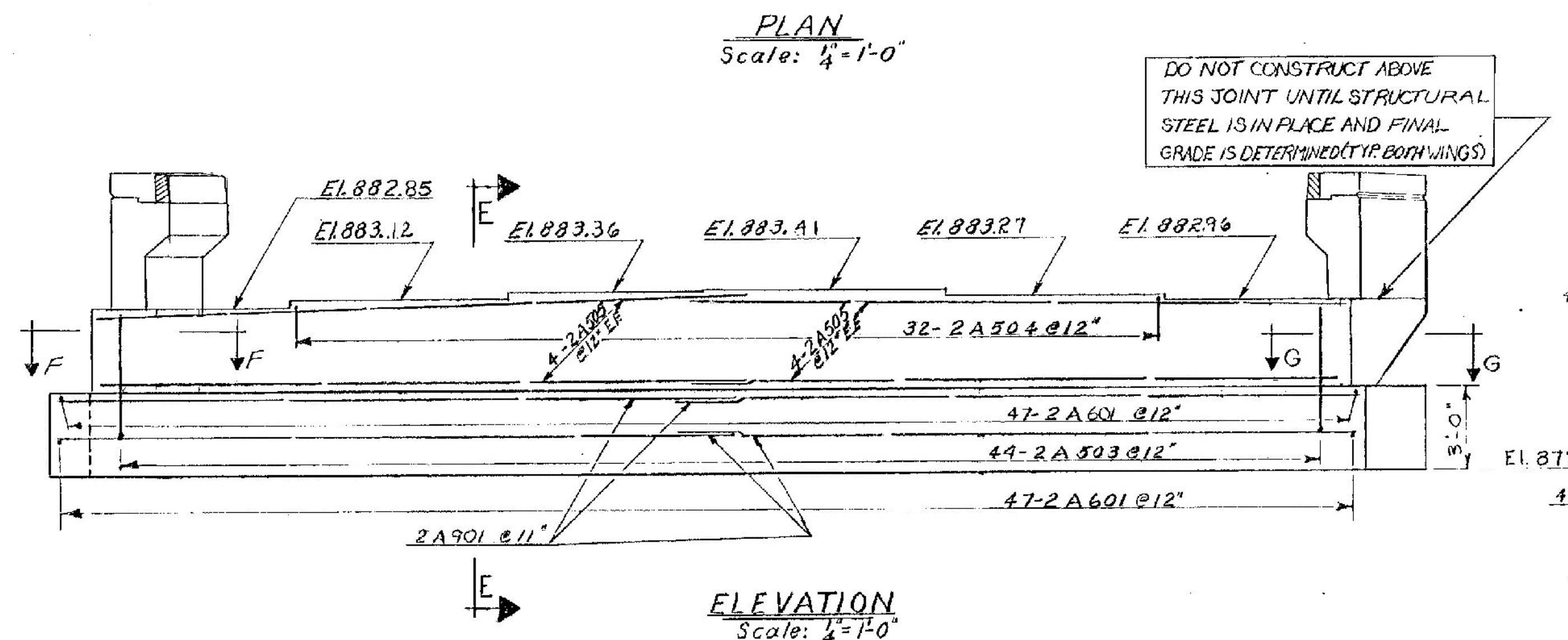


- NOTES
- 1) FOR GENERAL NOTES SEE SHEET BR101, PLAN ELEVATION AND SCB-DI-67
 - 2) FOR ADDITIONAL ABUTMENT NOTES SEE BR101, ABUTMENT NO.1 DETAILS.
 - 3) FOR PILING TABLE SEE SHEET BR-110.
 - 4) FOR DETAILS OF SURFACE TREATMENT ON FIXED ABUT. BRIDGE SEATS SEE SH. BR 107.



LYNDON IRASBURG
IM MEMB(29)
SHEET 40 OF 55
BRIDGE NO. 102S
FOR REFERENCE ONLY

Stage 1 Construction

STATE OF VERMONT
DEPARTMENT OF HIGHWAYS

PROJECT: BARTON
TOWN OF BARTON BR 102

ROUTE NO. I-91 STA. 2148+97

INTERSTATE 91 OVER VT. 16

ABUTMENT NO. 2 DETAILS (FIXED)

SCALE AS NOTED

SECTION SUPERVISOR: E. V. Balkum 1/70

DRAWN BY: [Signature] CHECKED BY: OUELLETTE 3/70

PROJECT NO. I-91-3(11)

SHEET 123 OF 670 BR. 111