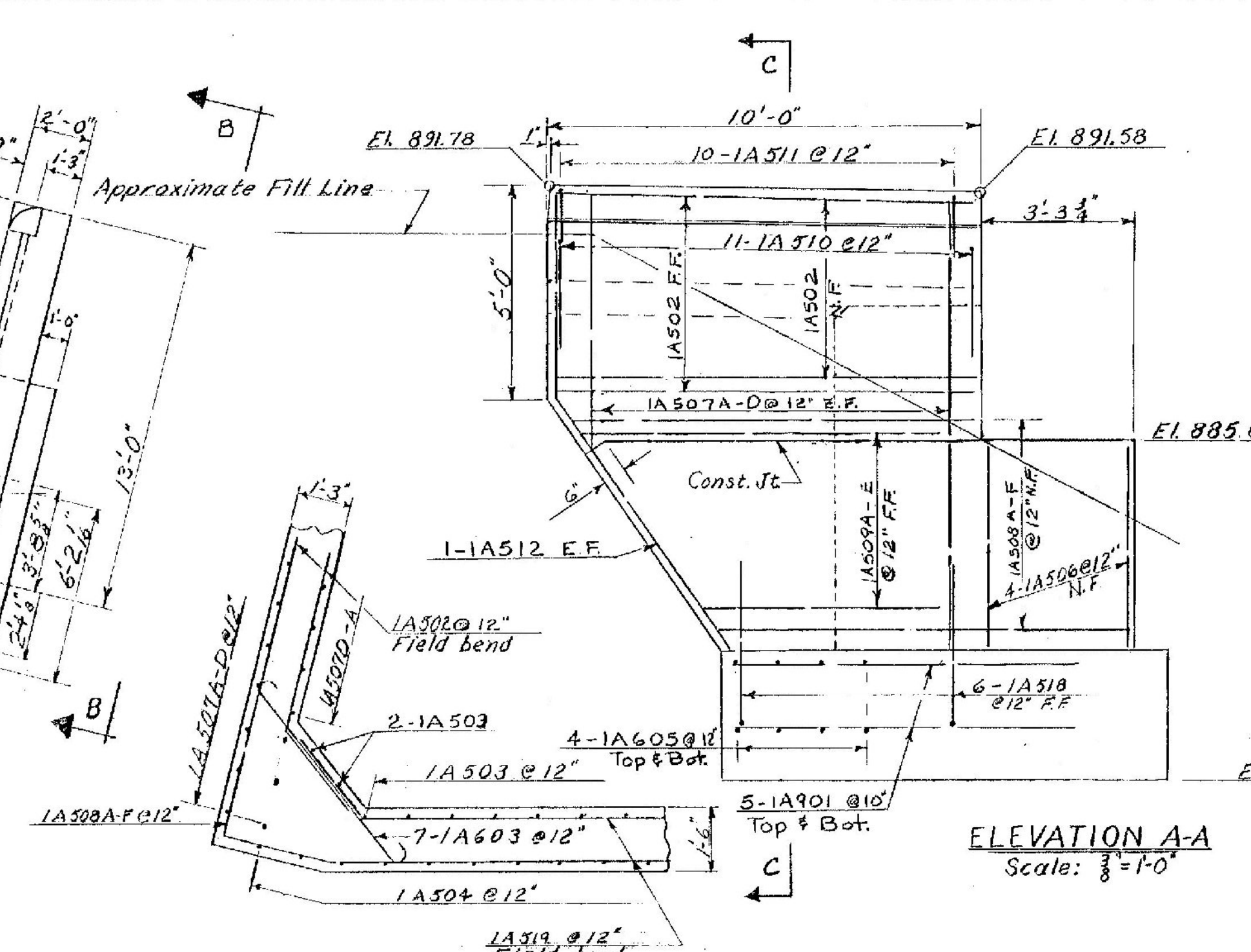
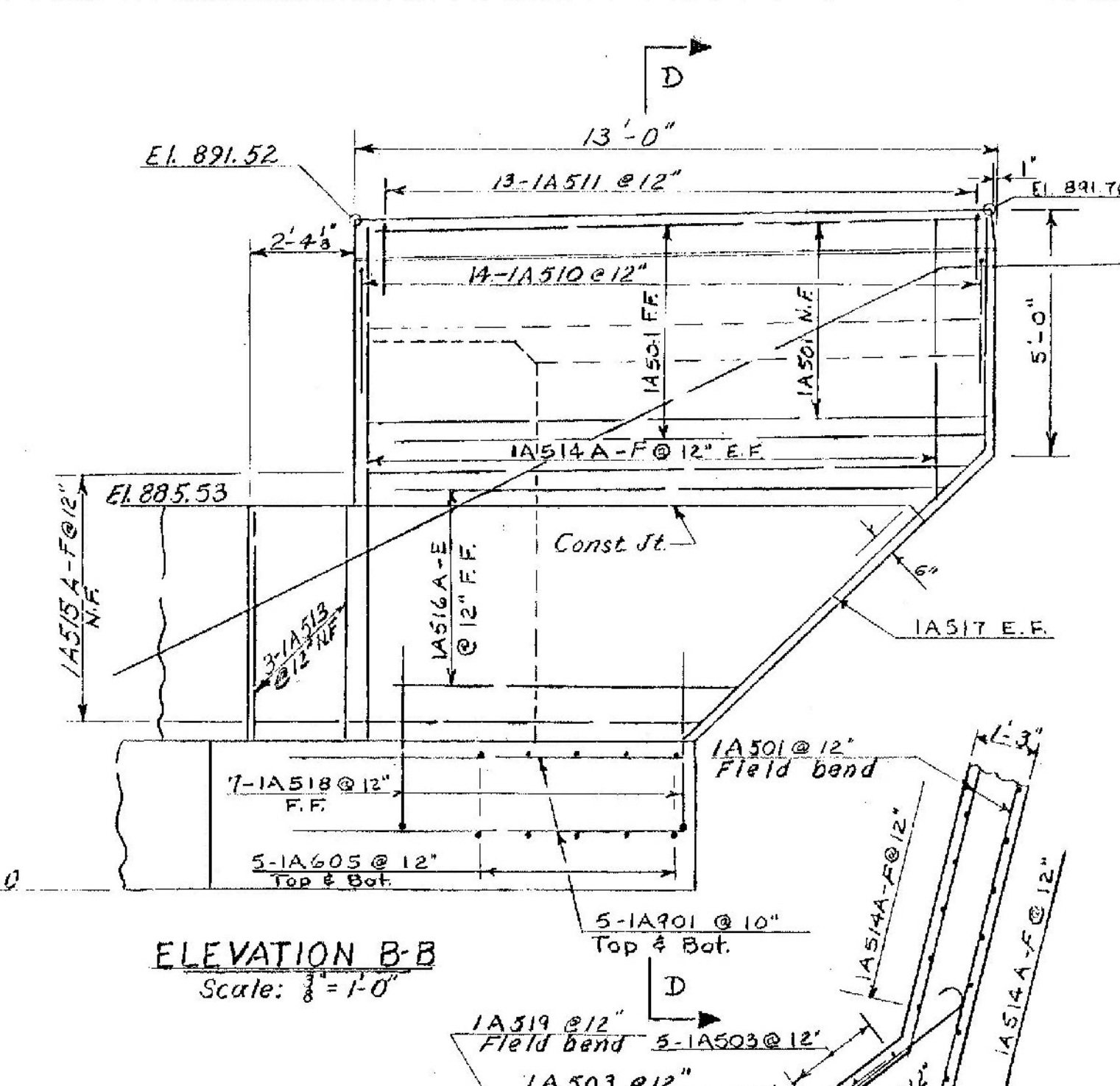


PLAN
Scale: 1/4" = 1'-0"



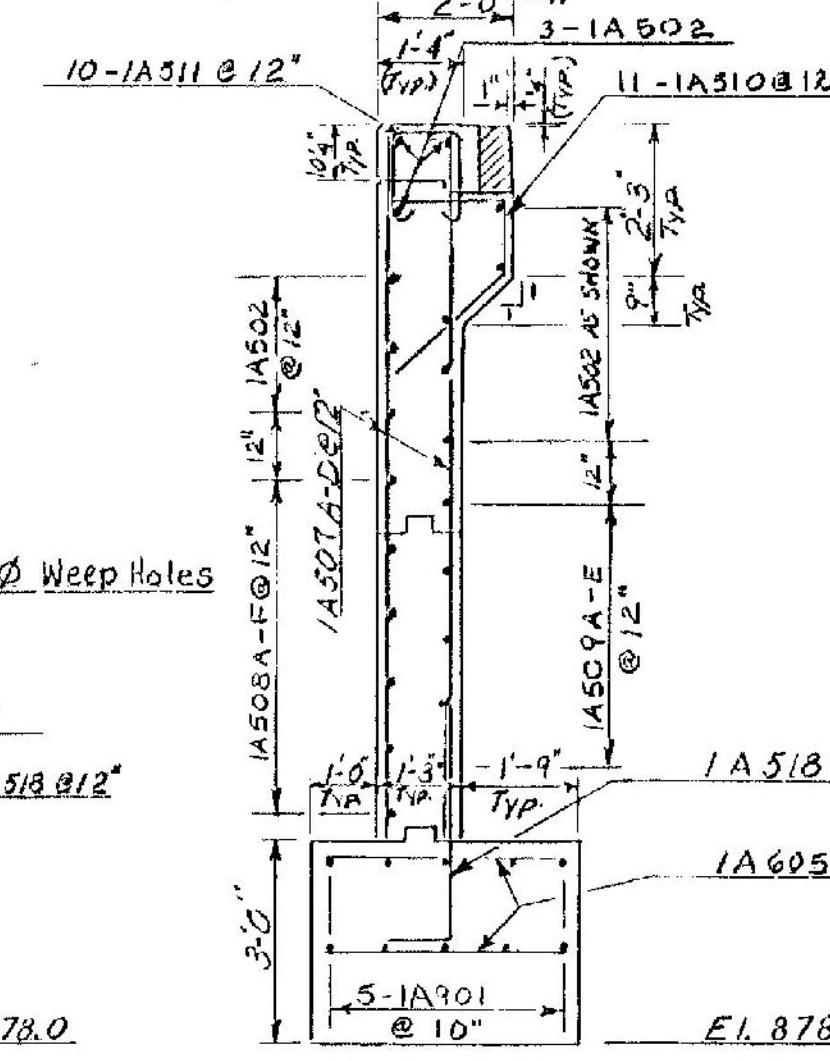
ELEVATION A-A
Scale: 3/8" = 1'-0"



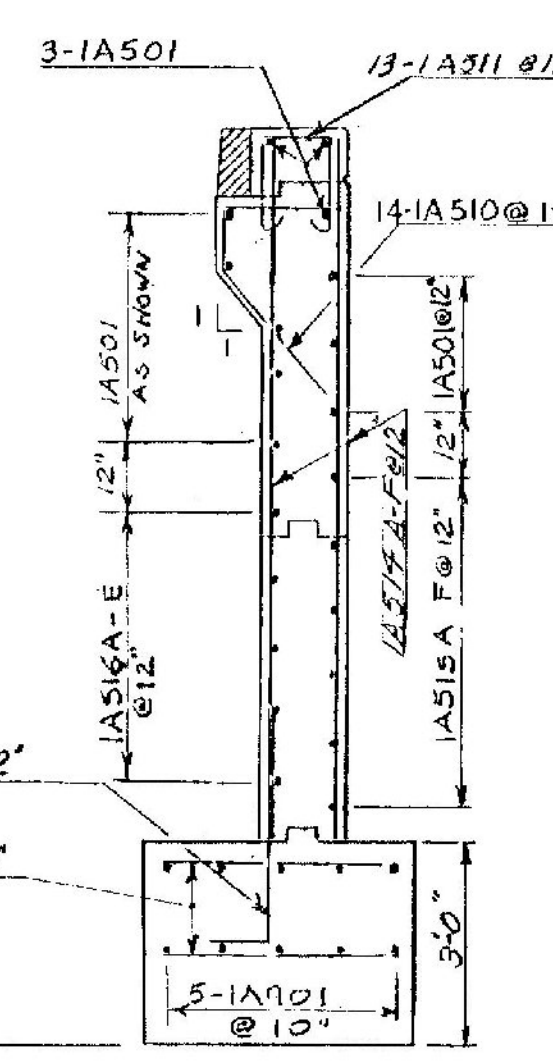
ELEVATION B-B
Scale: 3/8" = 1'-0"

Do not construct above this joint until structural steel is in place and final grade is determined. (Typ both wings)

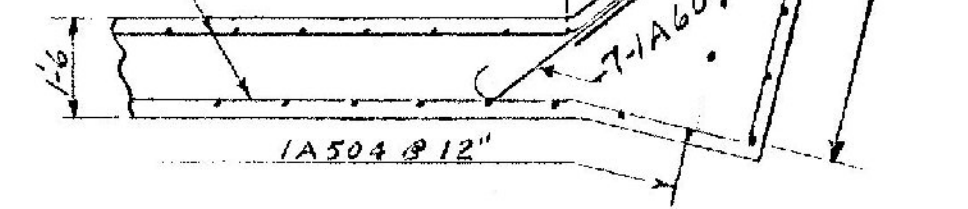
SECTION F-F
Scale: 3/8" = 1'-0"



SECTION C-C
Scale: 3/8" = 1'-0"



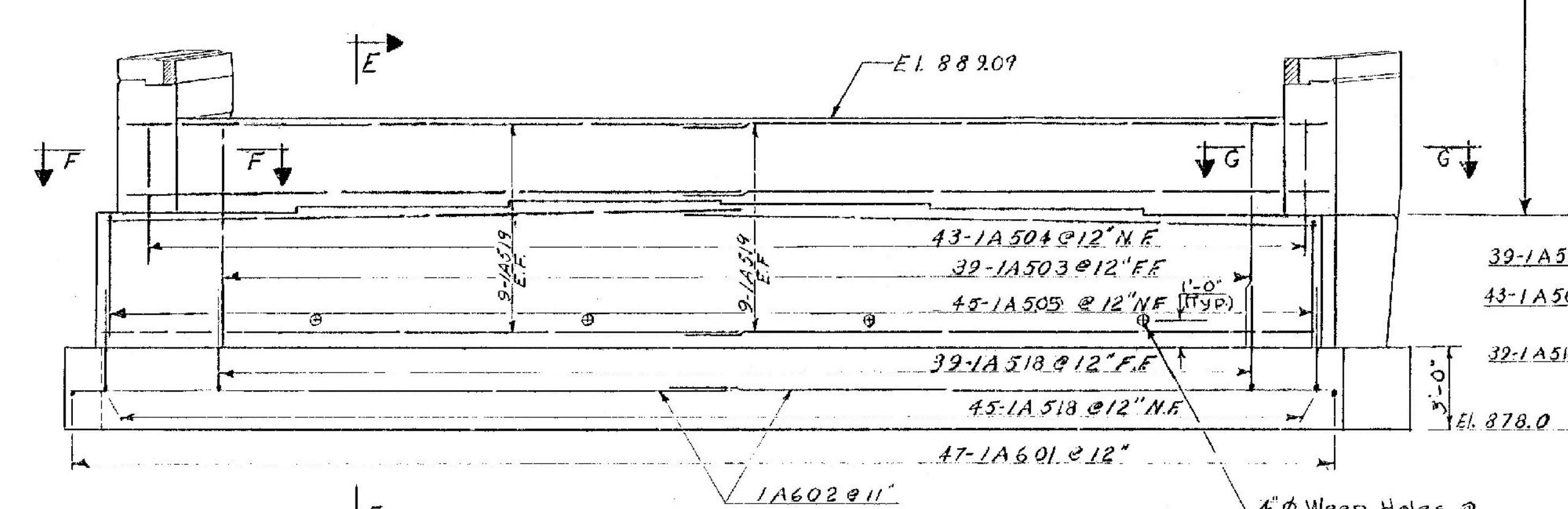
SECTION D-D
Scale: 3/8" = 1'-0"



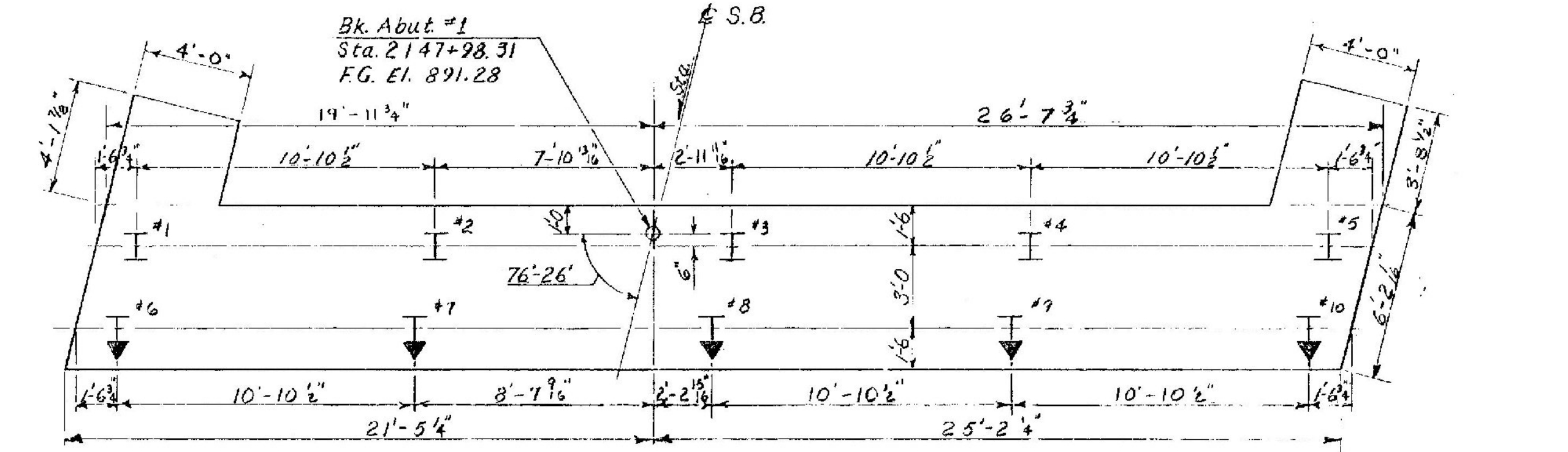
SECTION G-G
Scale: 3/8" = 1'-0"

NOTES

- For general notes see Sheet BR 101, Plan and Elevation.
- For details of surface treatment on Expans. Abut. Bridge seats and backwalls see sheet BR 112.
- For details of Expansion Dam at Abutment #1 and #3 see Sheet BR 108, Expansion Dam Details.
- All concrete in the abutments shall be Concrete Class B, Mod.
- For curb details and horizontal score mark details see Sheet BR 106, Superstructure Details.
- N.F. denotes Near Face.
F.F. denotes Far Face.
E.F. denotes Each Face
N.T.S. denotes Not to Scale
- The maximum steel pile (12BP53) design load under the abutment footings is computed to be 58 tons per pile.



ELEVATION
Scale: 1/4" = 1'-0"



FOOTING PLAN
Scale: 1/4" = 1'-0"

Estimated length of 12BP53 H-Pile is 45'
▼ Denotes 2 in 12 Pile batter direction.

Location	Number of Piles	SIZE	Est. Length of Piles	Splices allowed for piles not exceeding plan length (to be paid for only if used)	Splices est. for piles exceeding plan length (to be paid for only if used)
Abut. #1	10	12BP53	45'	0	2
Abut. #2	10	12BP53	50	0	2
Abut. #3	10	12BP53	60	0	2
Abut. #4	10	12BP53	60	0	2
Pier #1	4	12BP53	30	0	1
Pier #2	4	12BP53	35	0	1
Pier #3	4	12BP53	35	0	1
Pier #4	4	12BP53	35	0	1

8. Details of the cast-in-place, 1" Ø threaded rods in the expansion joint assembly and the A508 dowels cast-in-place in the backwall are shown on Sheet BR-108, Expansion Dam Details.

LYNDON IRASBURG
IM MEMB (29)
SHEET 39 OF 55
BRIDGE NO. 102S
FOR REFERENCE ONLY

STATE OF VERMONT
DEPARTMENT OF HIGHWAYS

PROJECT: BARTON TOWN OF BARTON BR 102

ROUTE NO. 1-91 STA. 2148+22

INTERSTATE 91 OVER Vt. 16

ABUTMENT No. 1 DETAILS (EXP)

SCALE: As Noted

SECTION SUPERVISOR: F.W. Balkum - 4/70

DRAWN BY: Witherspoon & Cheek CHECKED BY: Hoskins 3/70

OUELLETTE

PROJECT NO. 1-21-3(1)

SHEET 122 OF 670 BR 110