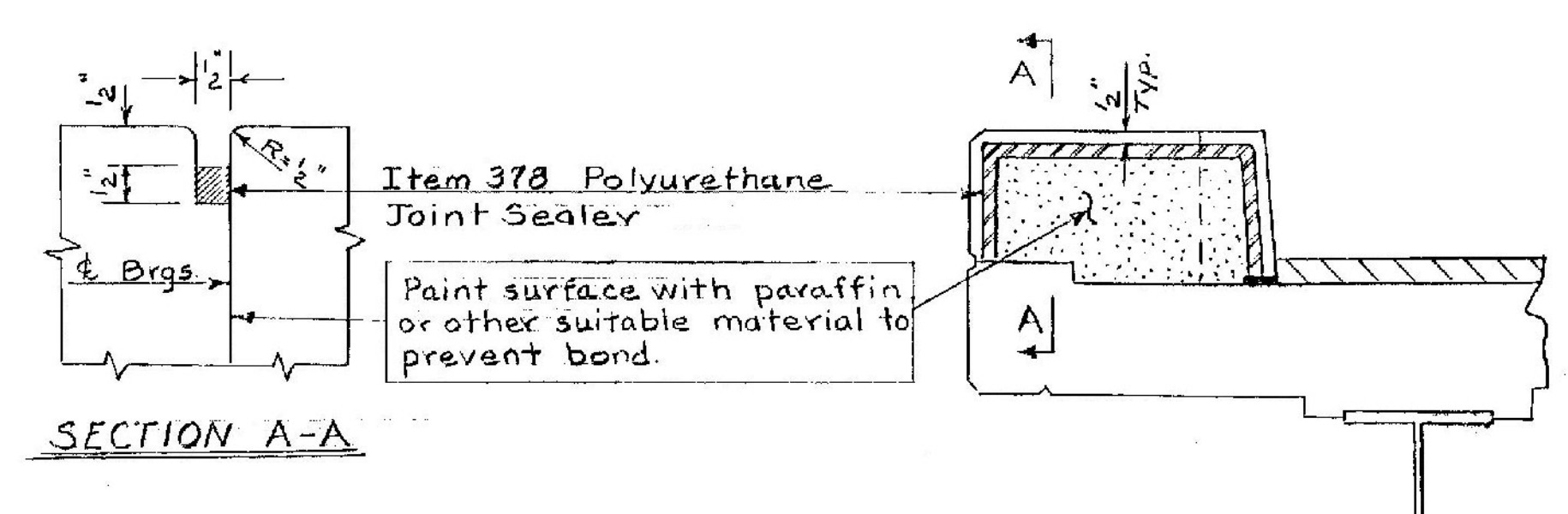


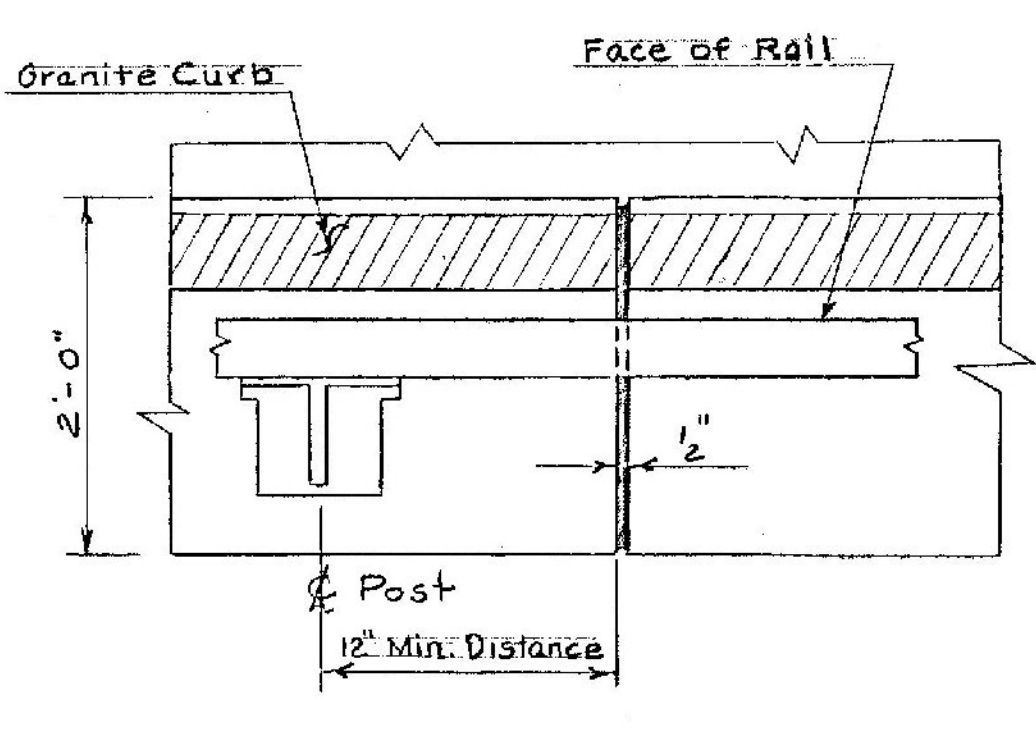
NOTES

1. See Sheet BR-101 and SCB-D1-67, where applicable; for general notes.
2. For fixed end joint details at Abutment #2 & #4 see Sheet BR-107.
3. For additional details of Granite Bridge Curb see Sheet BR-106, BR-107 and BR-108.
4. For additional details of Bridge Railing see Standard Sheet 5B-R1-64 sheets 1 & 2.
5. (E) Provide for 3" expansion in Bridge Railing across this joint.
6. (F) Provide for 3/4" expansion in Bridge Railing across this joint.
7. Layout and detail drawings for Granite Bridge Curb, Item 556-C, shall be submitted in triplicate to the State of Vermont for approval prior to fabrication and shipment. Granite Curb ends shall be sawed square on each side of all joints where Item 378, Polyurethane Joint Sealer, is used or where the curb butts against the metal expansion plates. Granite Curb shall be furnished in random lengths ranging from 4' minimum to 10' maximum.

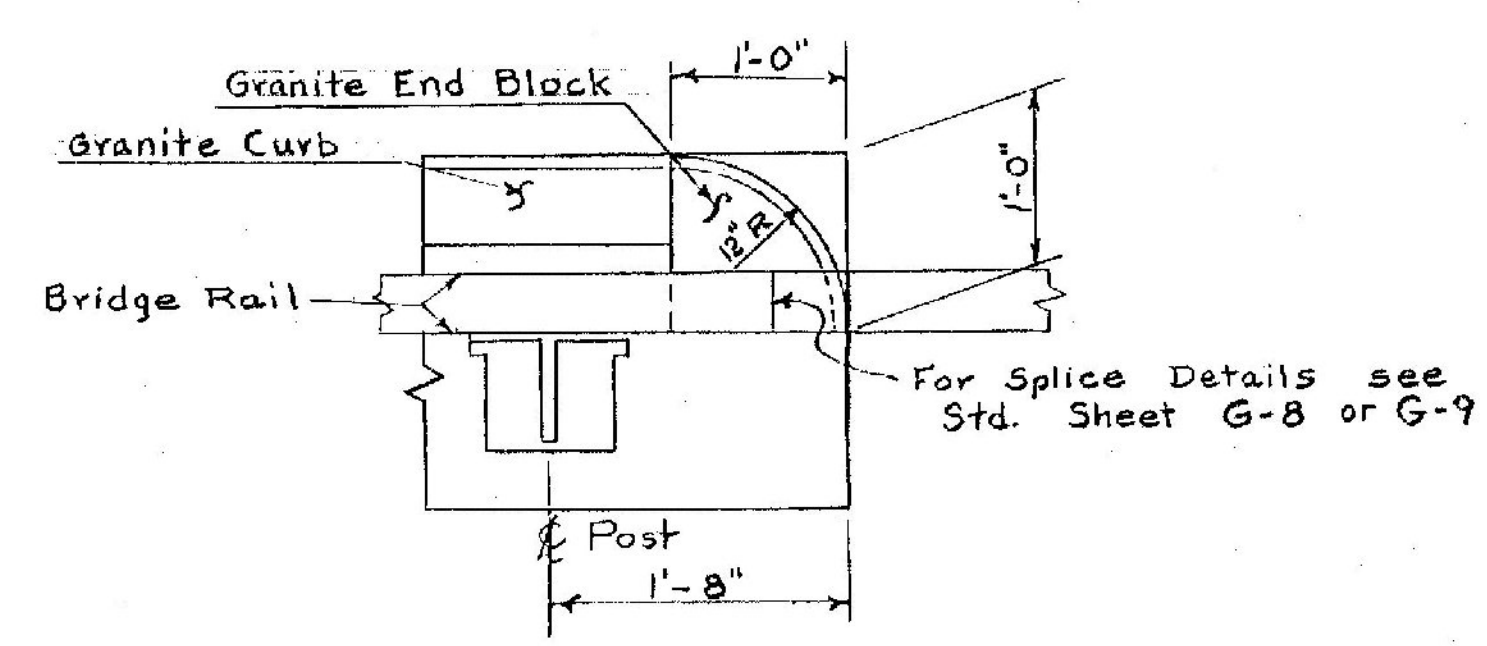
LYNDON IRASBURG  
IM MEMB(29)  
SHEET 38 OF 55  
BRIDGE NO. 102S  
FOR REFERENCE ONLY



TYPICAL PIER JOINT DETAILS  
N.T.S.



DETAIL A  
N.T.S.



DETAIL B  
Scale: 1"=1'-0"

Stage 1 Construction

STATE OF VERMONT  
DEPARTMENT OF HIGHWAYS

PROJECT: BARTON BR102  
TOWN OF BARTON

ROUTE NO. I-91 @ STA. 2148+97  
INTERSTATE 91 OVER VT. #16

CURB & RAIL PLAN  
SCALE: 1"=10'

SECTION SUPERVISOR: E.W. Balkum - 4/70  
DRAWN BY: W. B. ... CHECKED BY: HOSKING 3/70  
PROJECT NO. I-91-3(1)  
SHEET 121 OF 670 BR 109