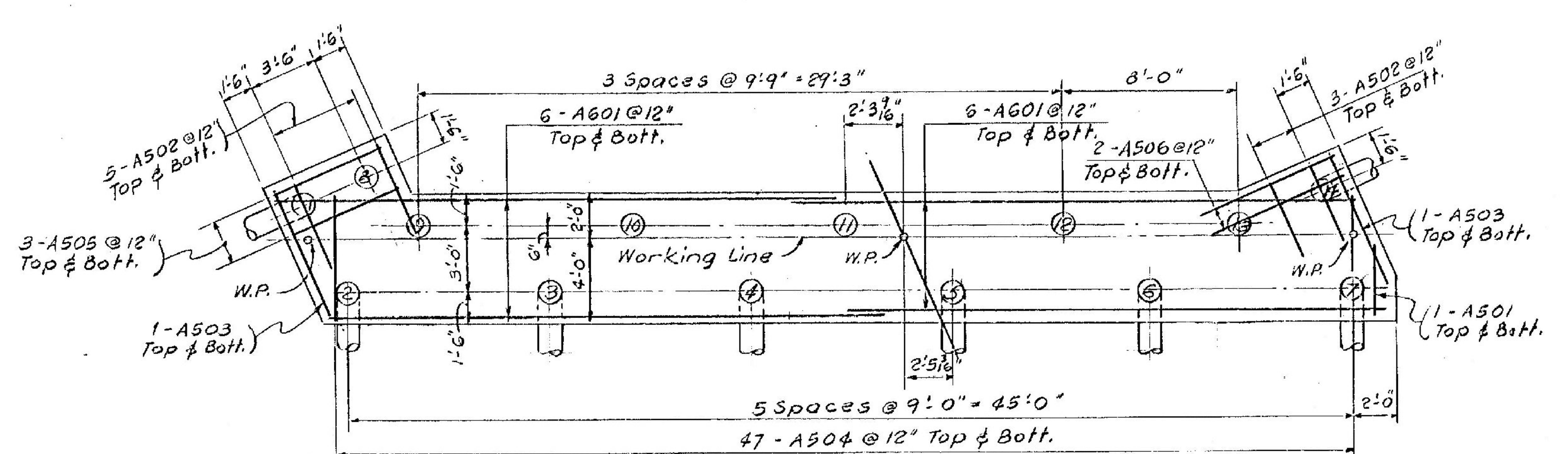


Note:
* Do not construct above this joint until beams have been set and finish grade confirmed by the Engineer.
For Notes see Sheet BR 215
For Sections A-A, B-B & C-C see Sh. BR 212



REVISED 8-70: CRD & AGC
MADE CURBS 2'-0", HELD FASCIA

Prepared by
BLAUVELT ENGINEERING CO.
CONSULTING ENGINEERS
DURHAM, VERMONT

CONTRACT 1
STAGE I CONSTRUCTION

STATE OF VERMONT
DEPARTMENT OF HIGHWAYS

PROJECT LYNDON - BARTON
TOWN OF LYNDON

ROUTE NO. I-91 LOG STA. 1287
I-91 OVER VT. 122 & RELOC. MILLER RUN

ABUTMENT #2

SCALE AS SHOWN

IN CHARGE H.C. MARGOLIS

DRAWN BY PENNINGS CHECKED BY J. HENRY

PROJECT NO. I-91-3(10)

SHEET 132 OF 155 BR 213