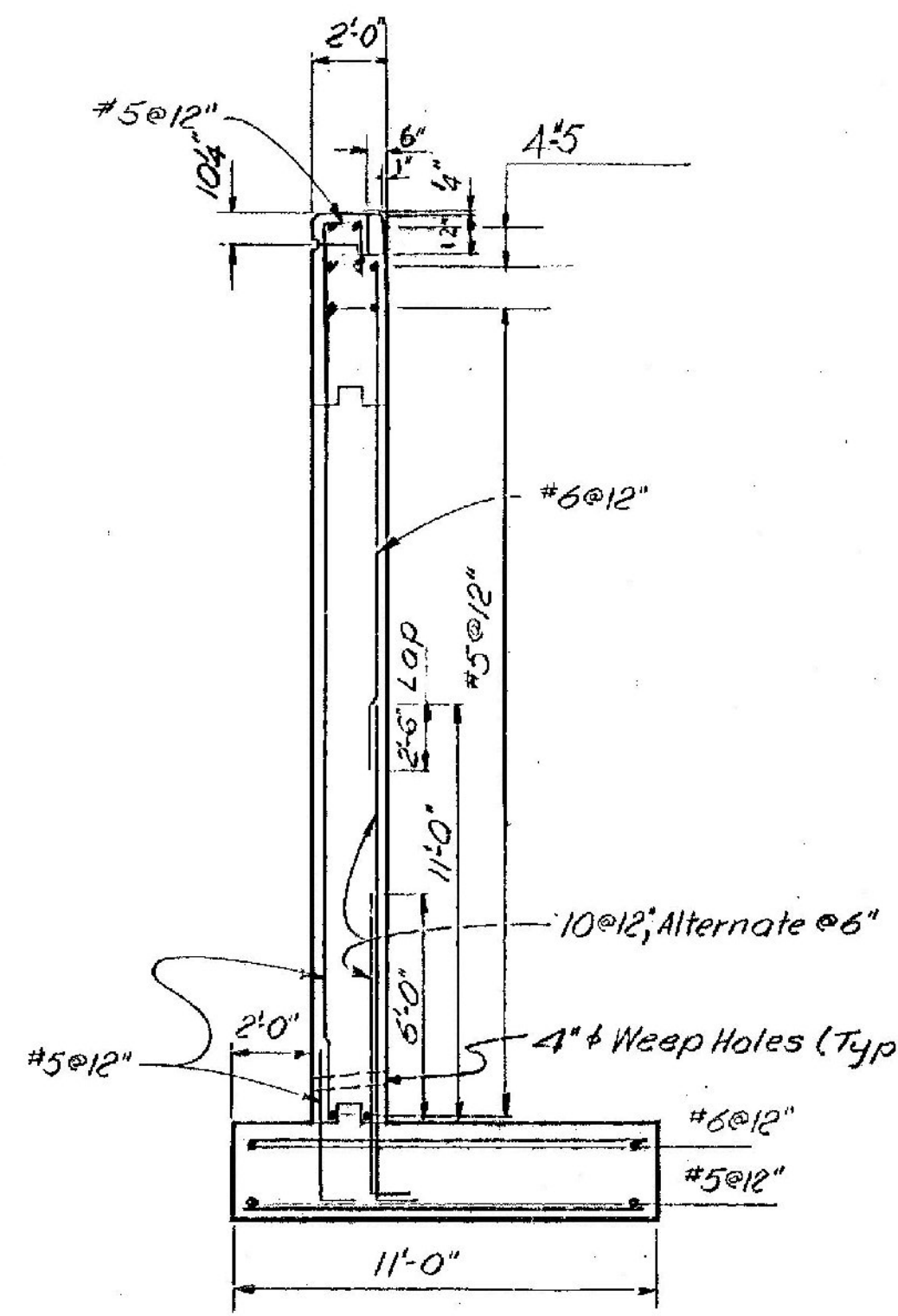
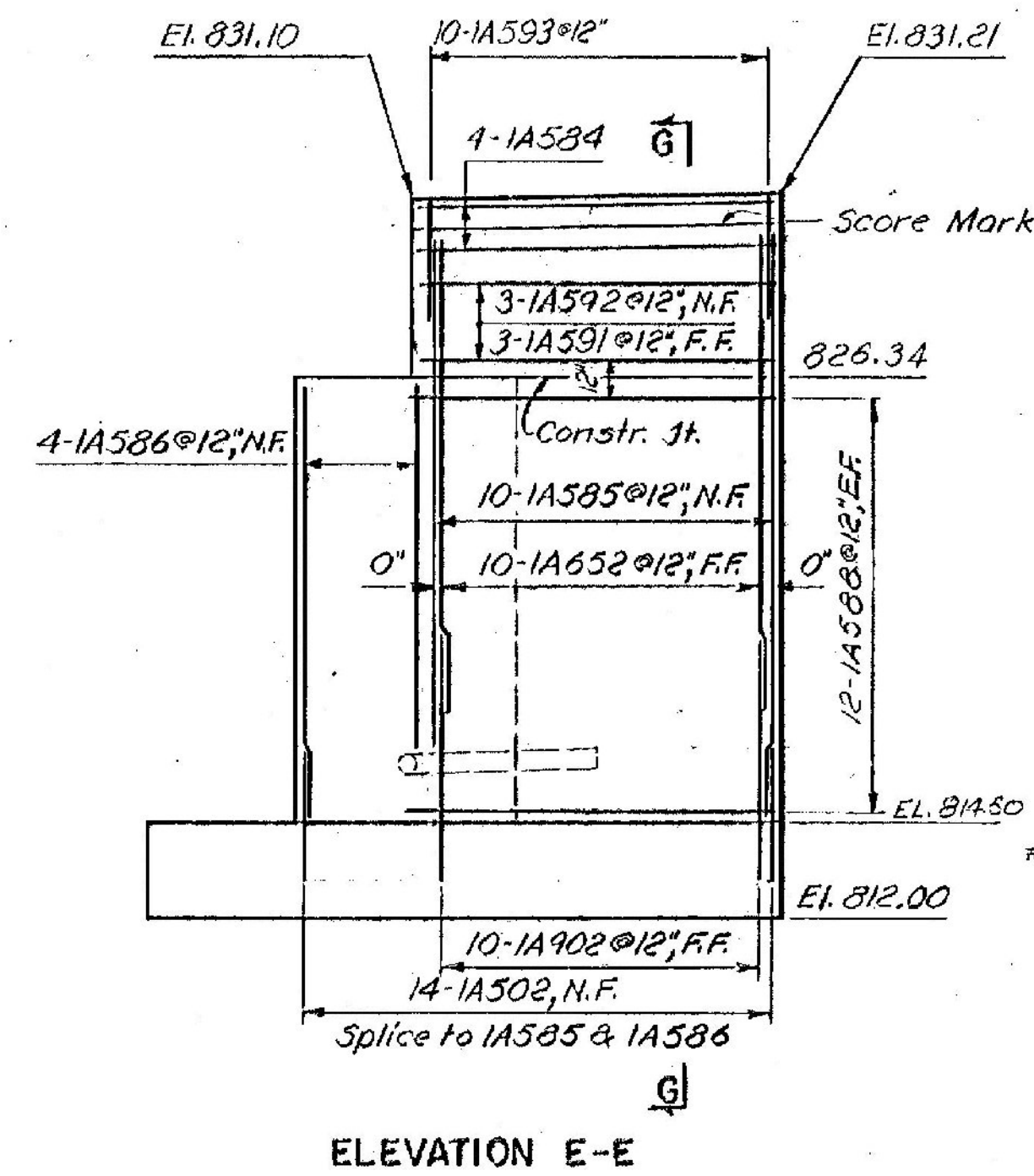


ELEVATION D-D

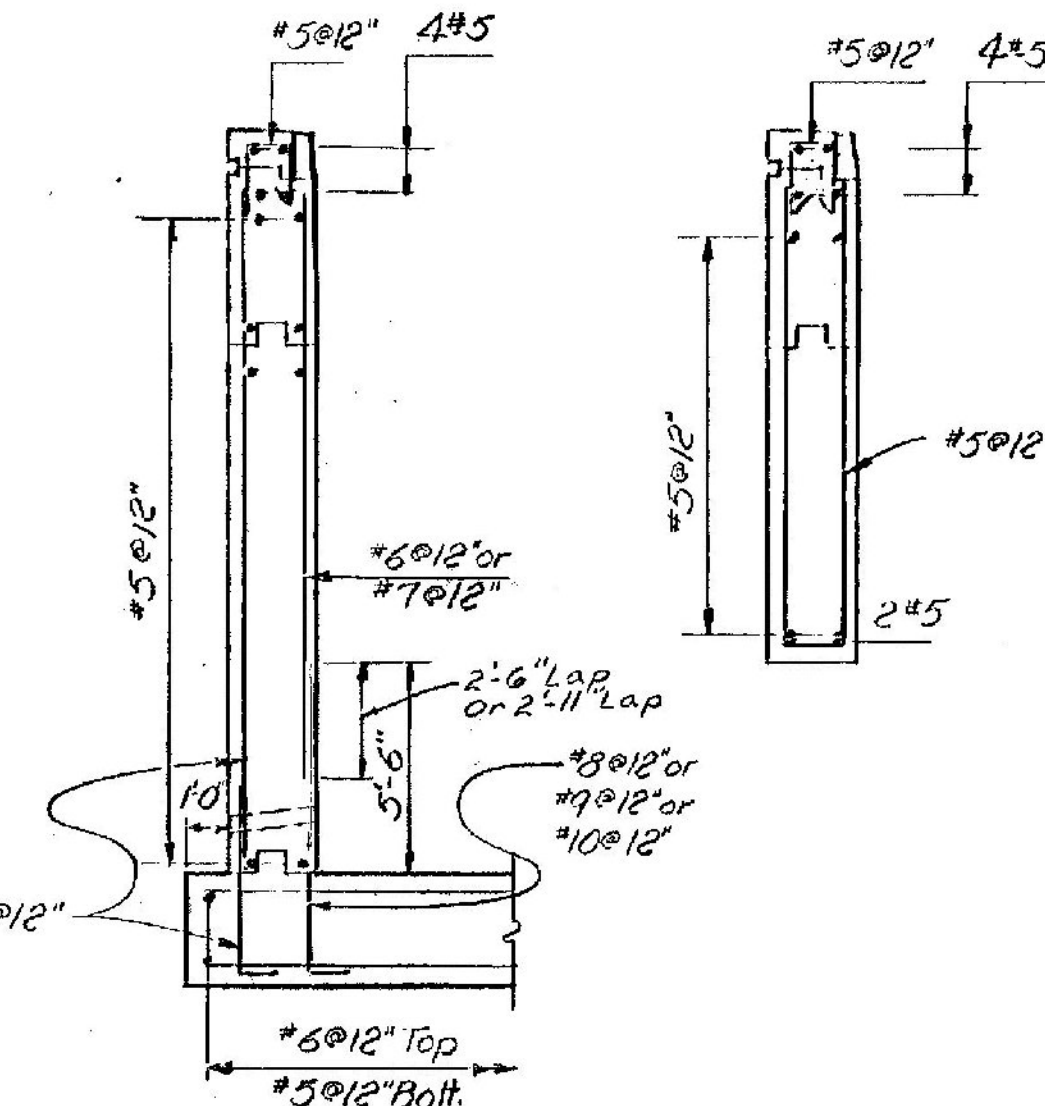


SECTION F-F

ABUTMENT NO.1



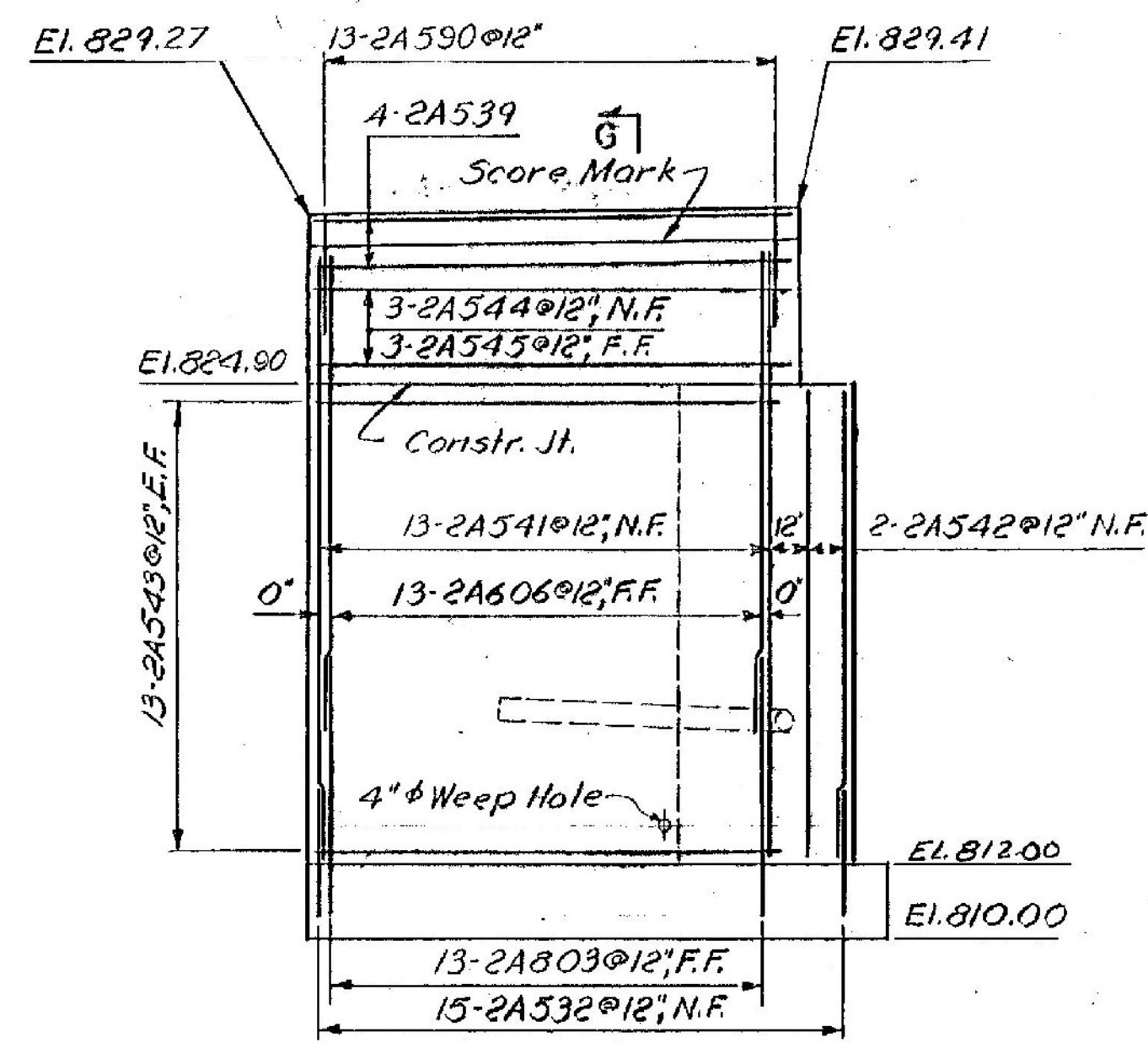
ELEVATION E-E



SECTION G-G

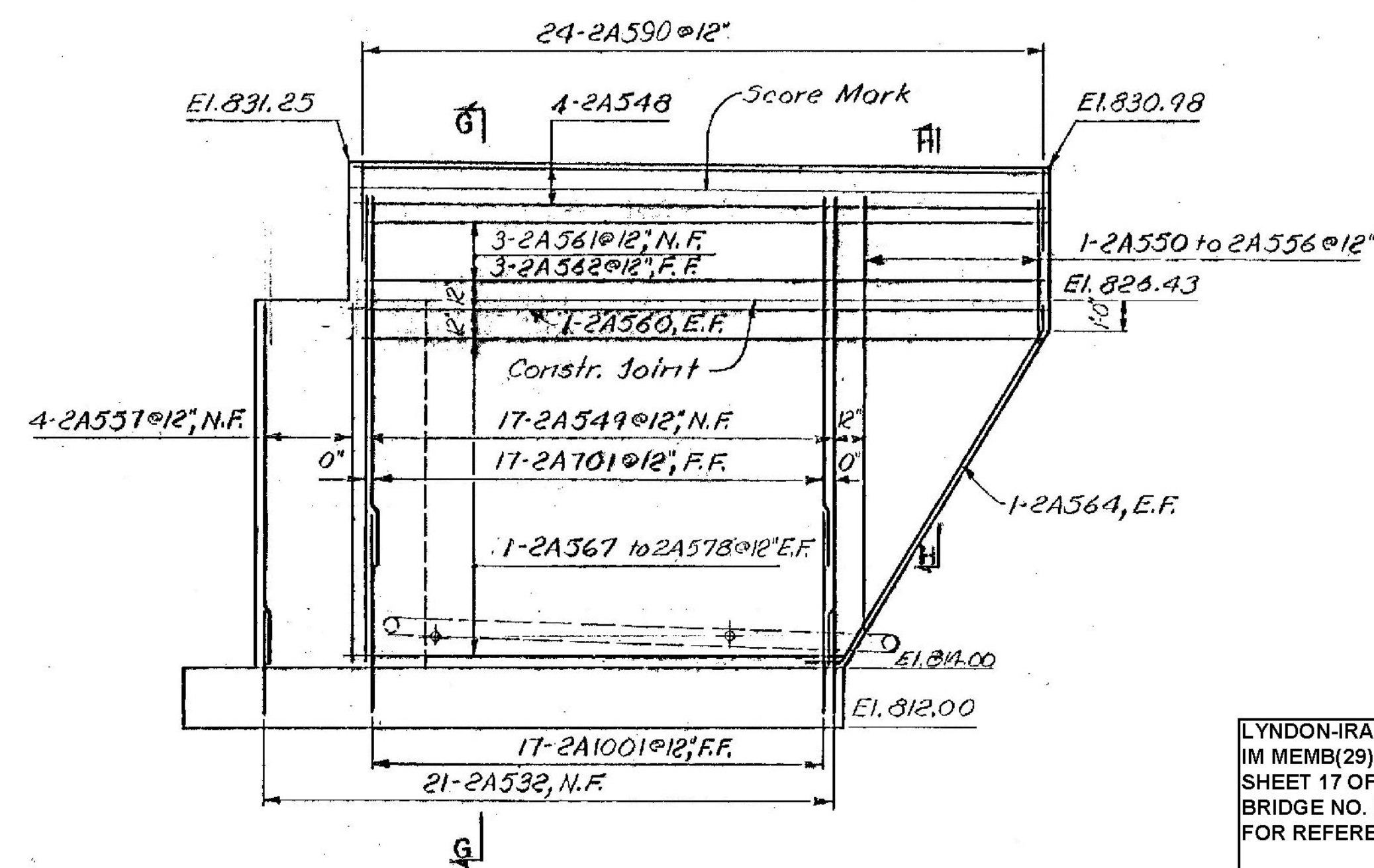
SECTION H-H

Note: Dimensions above construction joint same as shown on Section F-F



ELEVATION D-D

ABUTMENT NO.2



ELEVATION E-E

Notes:
For Notes, see Sheet BR111.
For location of Elevations, see Sheets BR111 & BR112.

LYNDON-IRASBURG
IM MEMB(29)
SHEET 17 OF 55
BRIDGE NO. 95S
FOR REFERENCE ONLY

PREPARED BY
BLAUVELT ENGINEERING CO.
CONSULTING ENGINEERS
GREENSBORO, VERMONT

Updated 5/7/70 AGC, GSR, JLA

CONTRACT 1
STAGE 1 CONSTRUCTION

STATE OF VERMONT
DEPARTMENT OF HIGHWAYS

PROJECT LYNDON - BARTON
TOWN OF LYNDON

ROUTE NO. 1-91 Log Sta. 1227
STATE AID # 9
1-91 OVER TOWN ROAD # 34

ABUTMENT #1 & #2 DETAILS

SCALE 1/4" = 1'-0"

IN CHARGE OF H.C. MARGOLIS

DRAWN BY YDD CHECKED BY CFP

PROJECT No. 1-91-3(10)

SHEET 158 OF 463 BR113