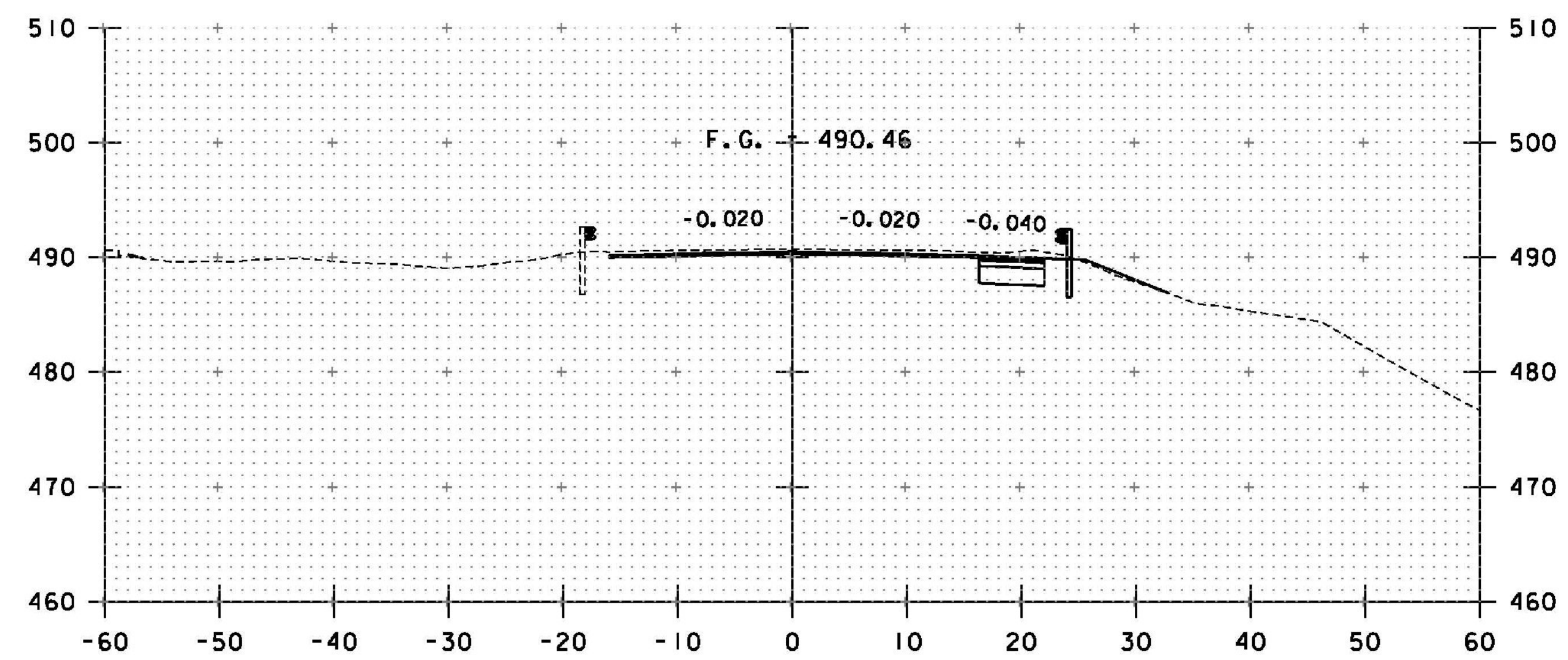
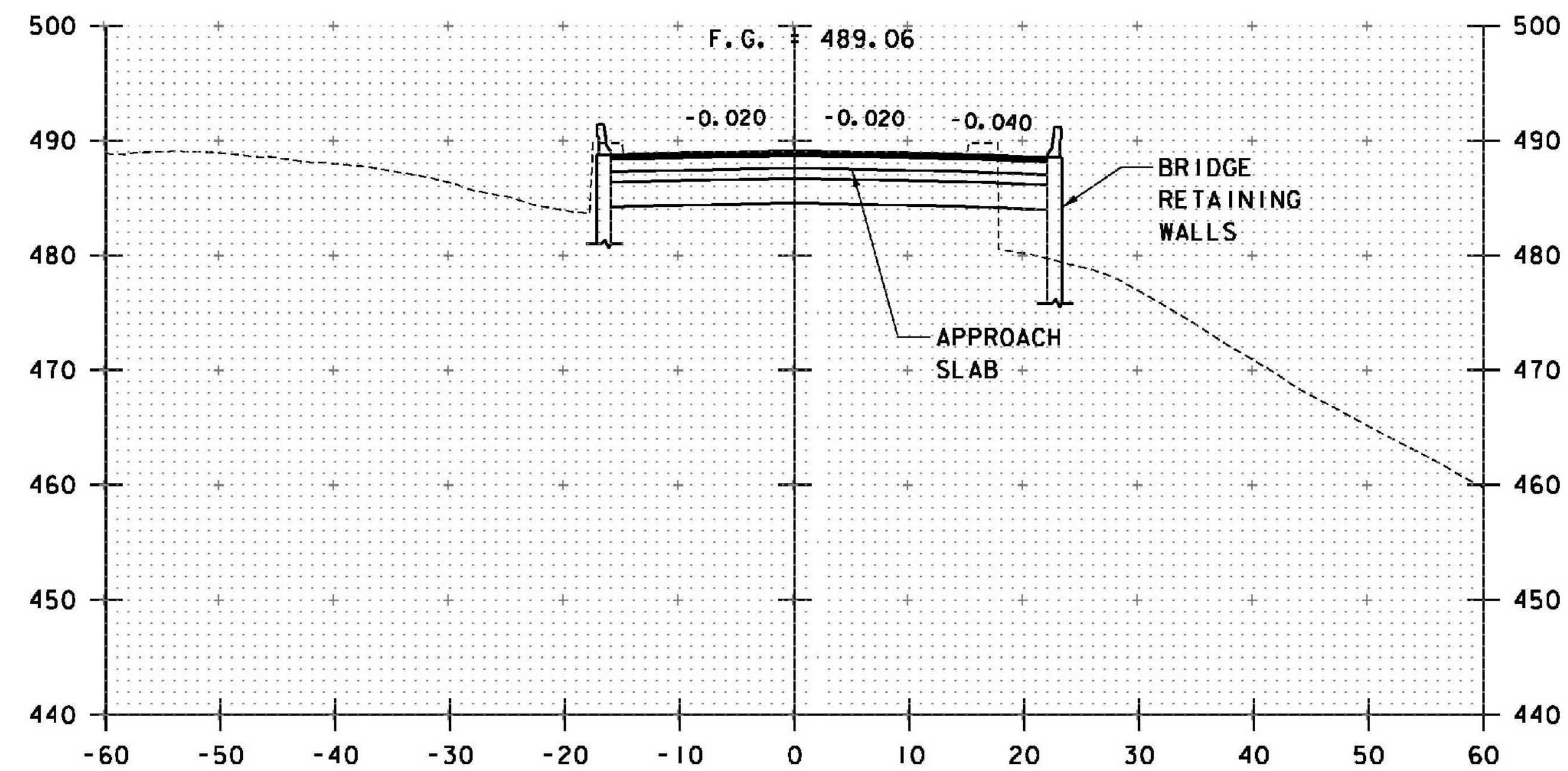


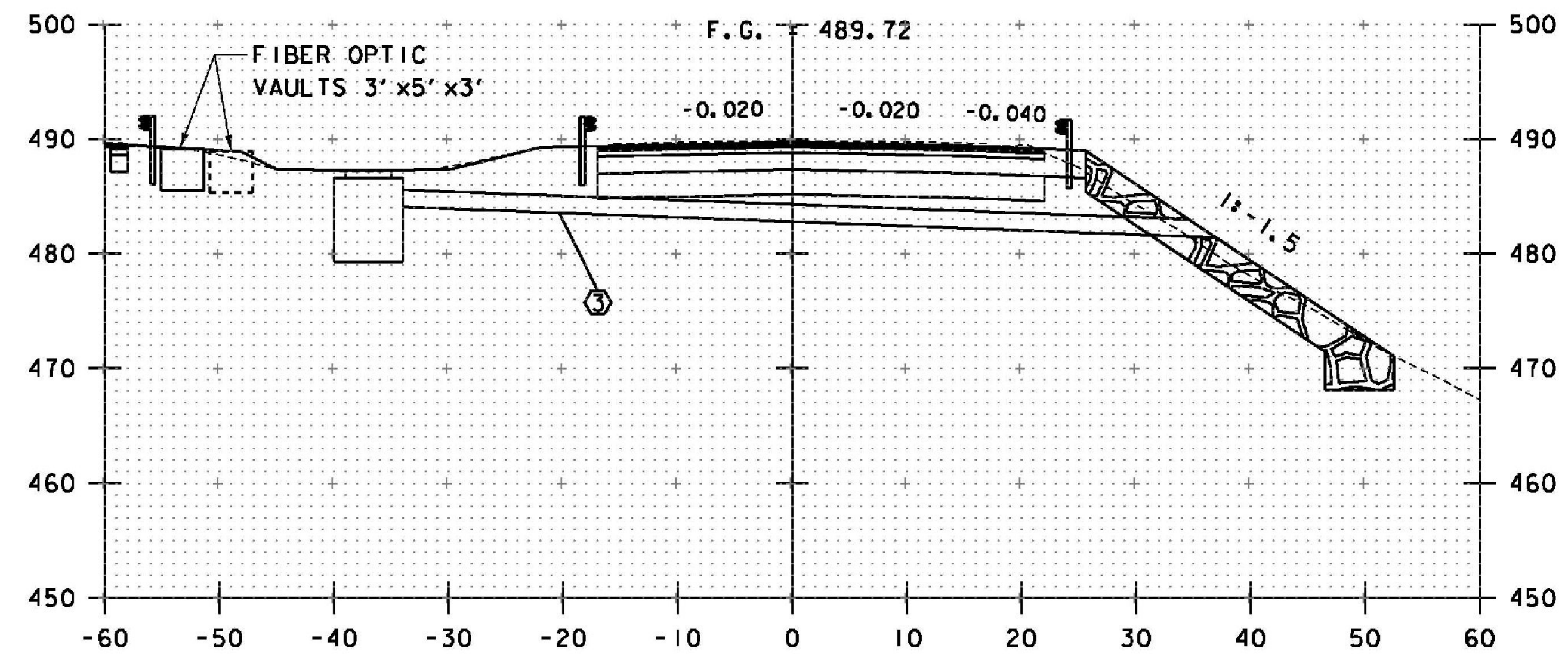
2927+70



2928+50



2927+47.5



2927+94

NOTE:
SEE WP 5 SUBSTRUCTURE DESIGN
PLANS (33N) FOR RETAINING
WALL DETAILS.

STA. 2927+50 TO STA. 2928+50

PROJECT NAME: WINDSOR
PROJECT NUMBER: IM 091-1(64)

FILE NAME: z10o188XS1.dgn
PROJECT LEADER: J. WILSON
DESIGNED BY: H. FULLER
CROSS SECTIONS- 1-91 NORTHBOUND 3

PLOT DATE: 7/30/2015
DRAWN BY: S. GUNN
CHECKED BY: T. MORIN
SHEET 155 OF 156