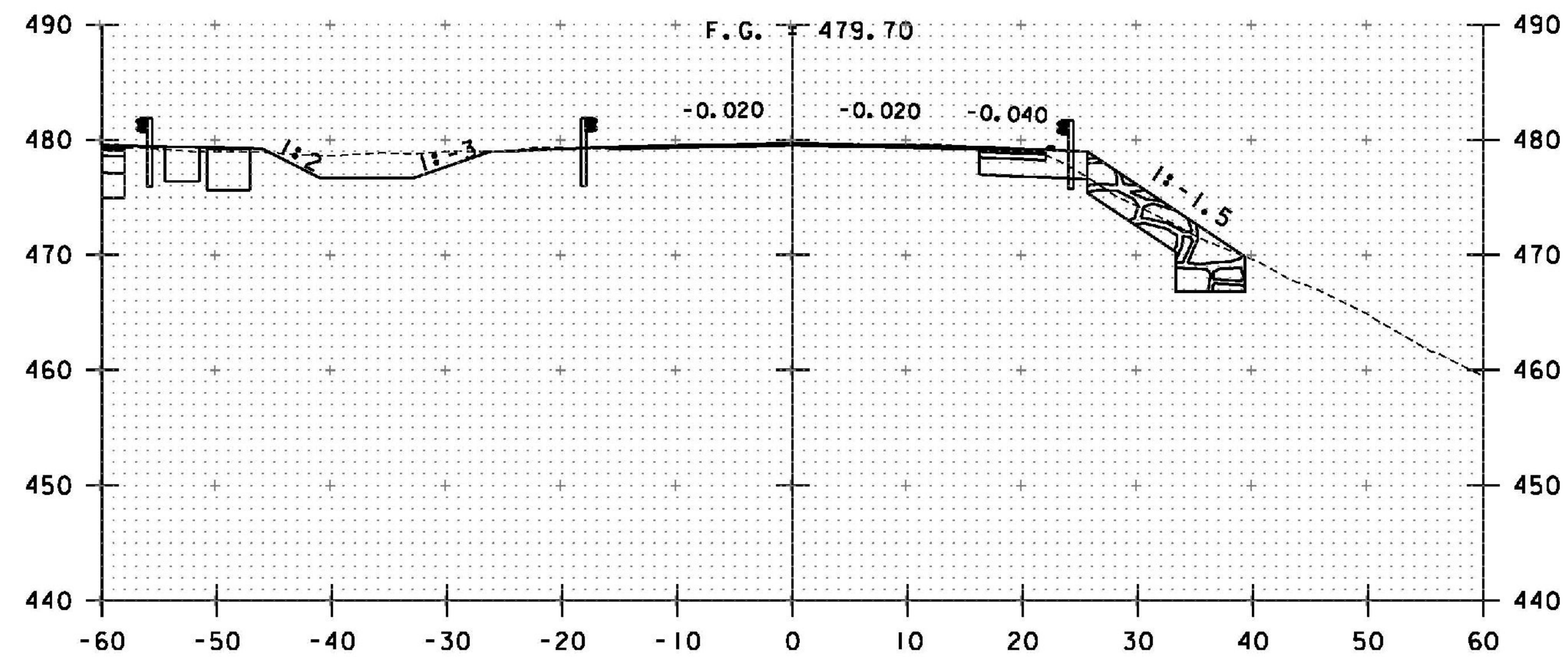
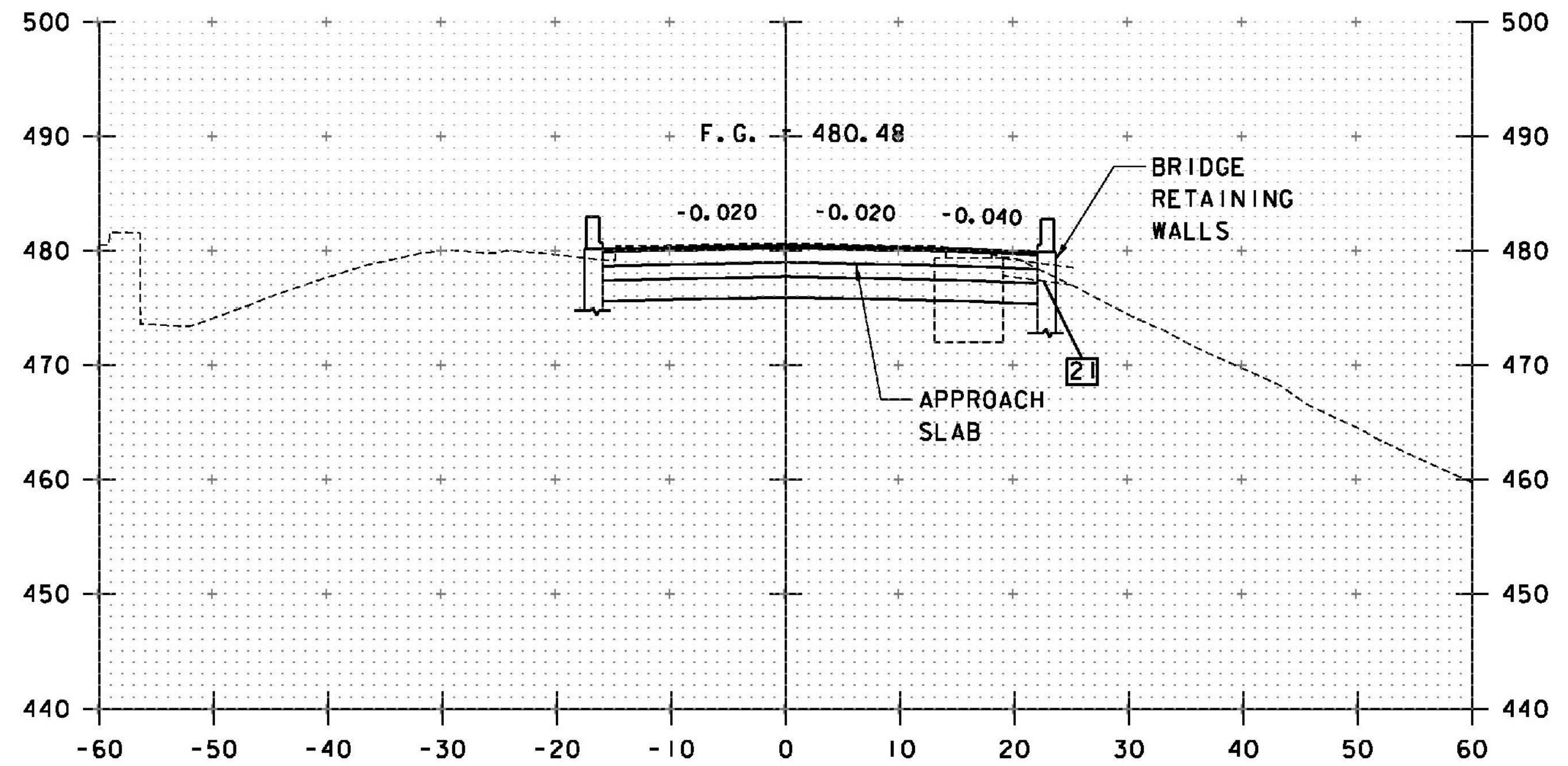


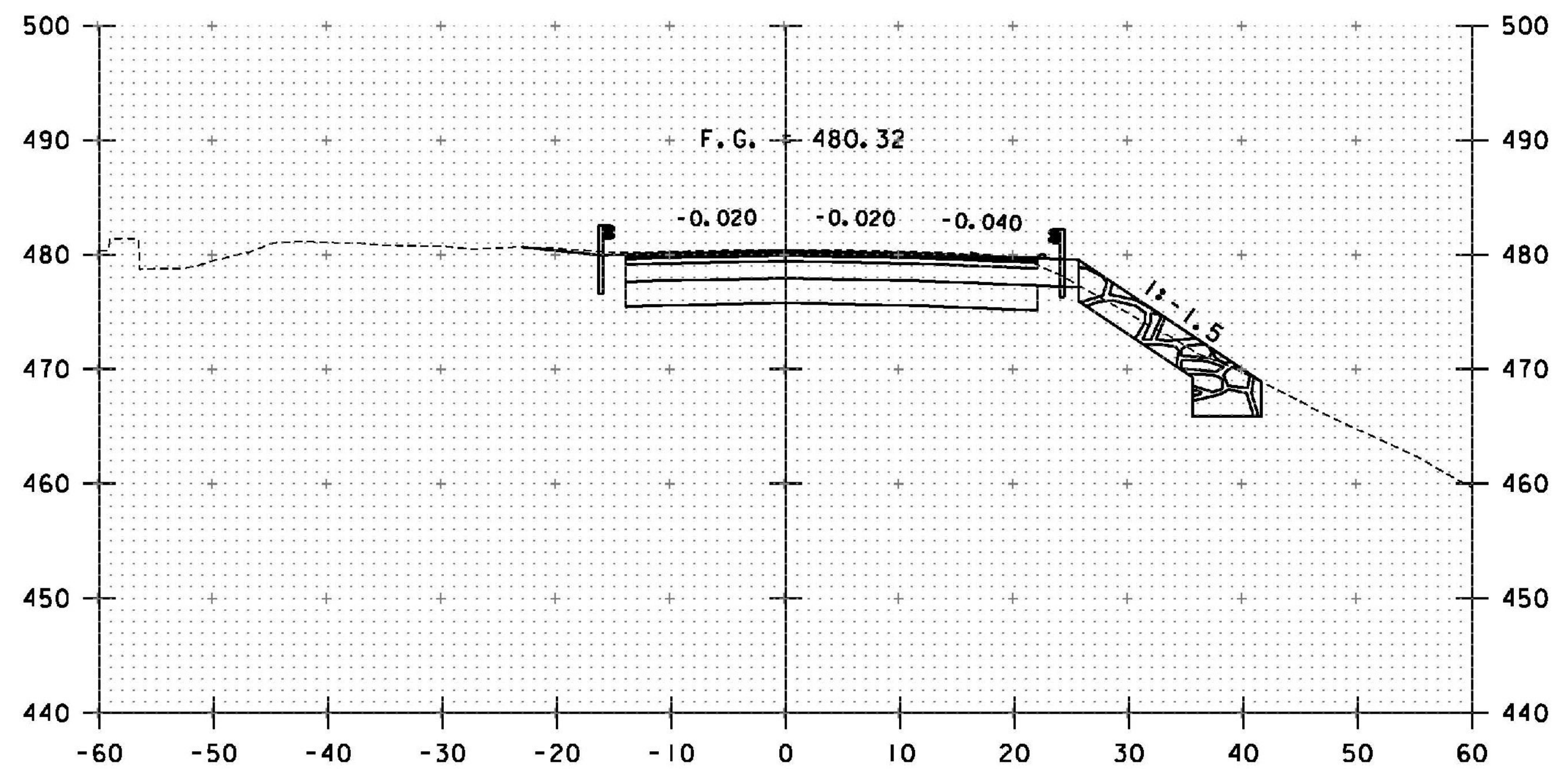
2920+40



2920+00



2920+62.5



2920+50

NOTE:
SEE WP 5 SUBSTRUCTURE DESIGN
PLANS (33N) FOR RETAINING
WALL DETAILS.

PROJECT NAME: WINDSOR	FILE NAME: z10o188XS1.dgn	PLOT DATE: 7/30/2015
PROJECT NUMBER: IM 091-1(64)	PROJECT LEADER: J. WILSON	DRAWN BY: S. GUNN
	DESIGNED BY: H. FULLER	CHECKED BY: T. MORIN
	CROSS SECTIONS- 1-91 NORTHBOUND 2	SHEET 154 OF 156