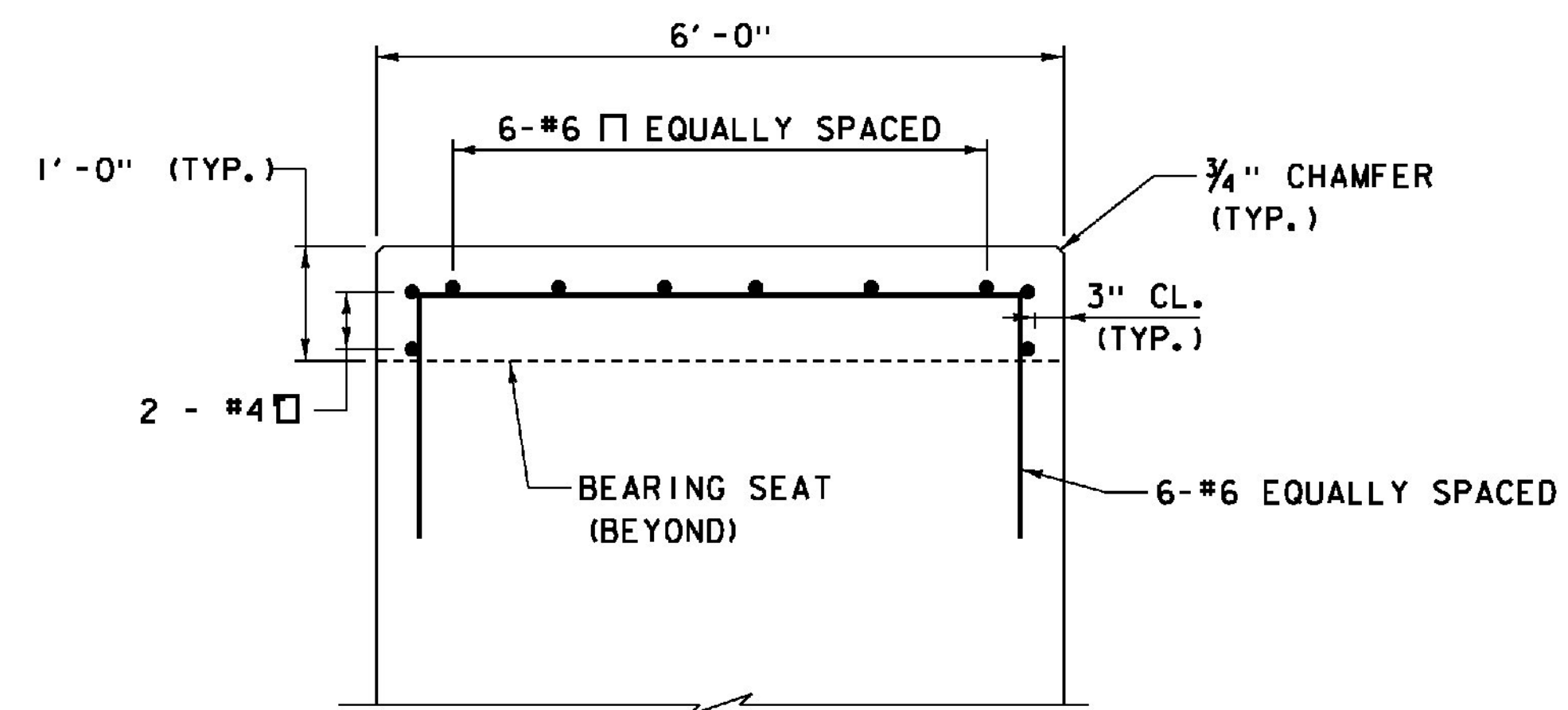


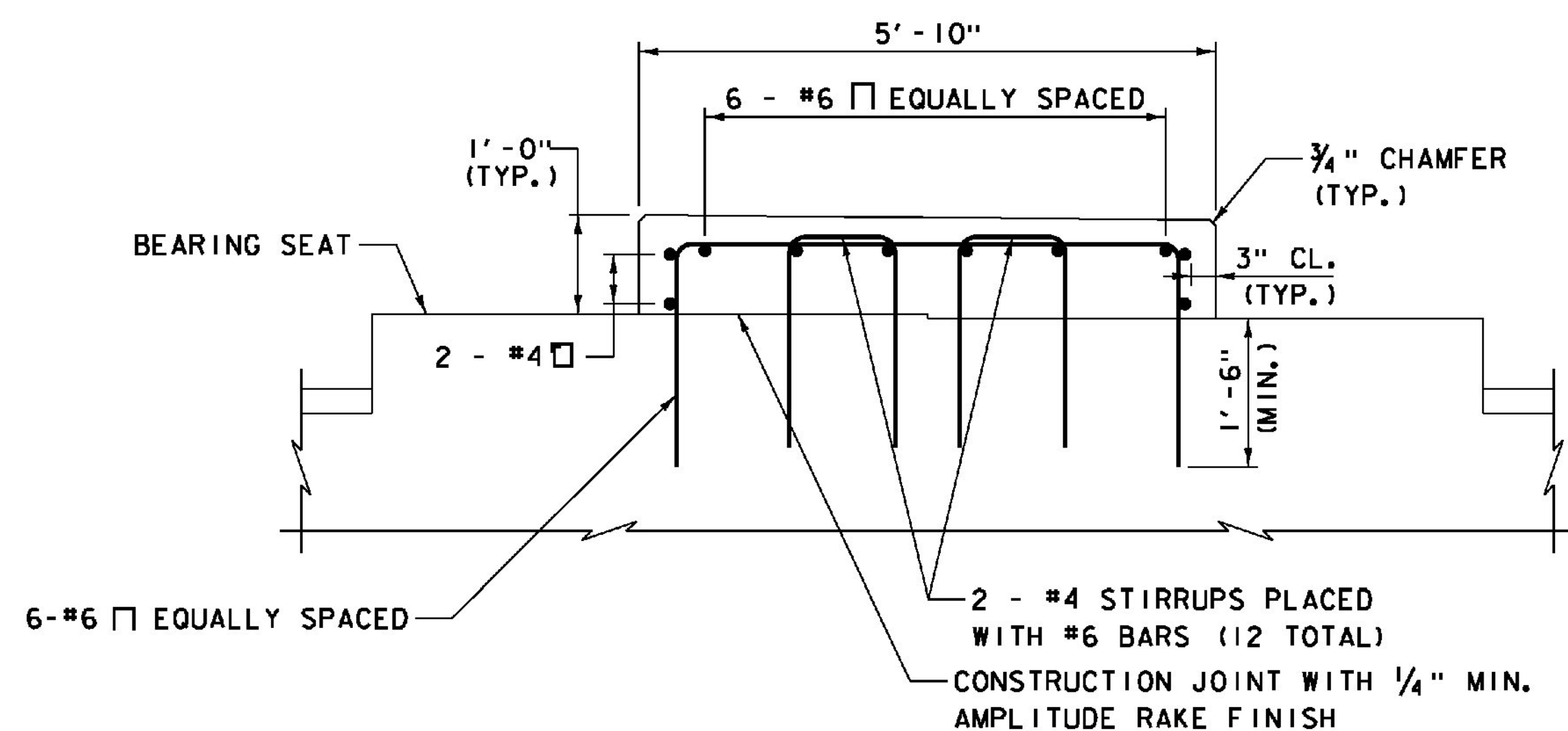
TRANSVERSE SHEAR KEY - PLAN

SCALE $\frac{3}{4}$ " = 1'-0"



TRANSVERSE SHEAR KEY - SECTION B

SCALE $\frac{3}{4}$ " = 1'-0"



TRANSVERSE SHEAR KEY - SECTION A

SCALE $\frac{3}{4}$ " = 1'-0"

PROJECT NAME: WINDSOR
PROJECT NUMBER: IM 091-1(64)

FILE NAME: z10o188PD4.dgn
PROJECT LEADER: J. WILSON
DESIGNED BY: S. BOYINGTON
NB PIER DETAILS - SHEET 4

PLOT DATE: 7/30/2015
DRAWN BY: S. GUNN
CHECKED BY: S. HALLORAN
SHEET 149 OF 156