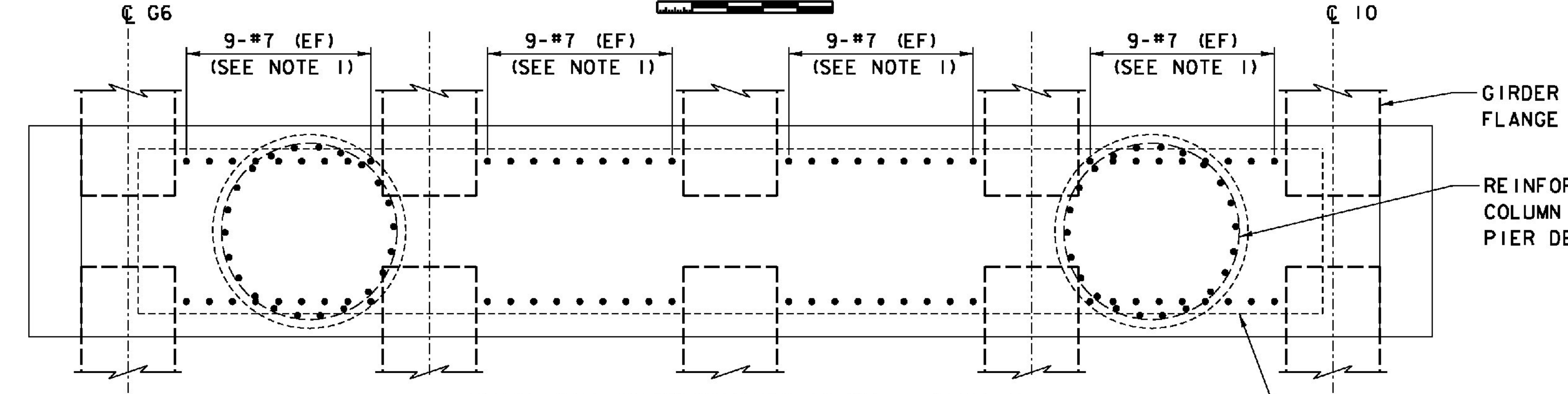
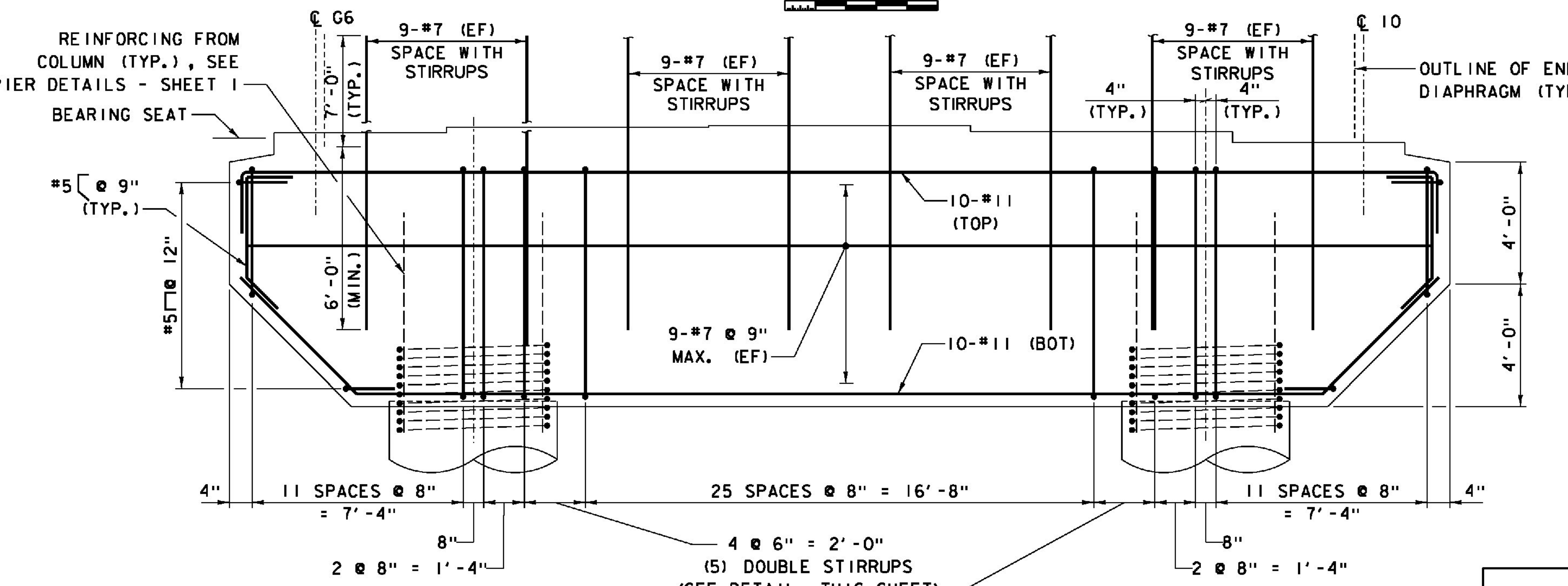


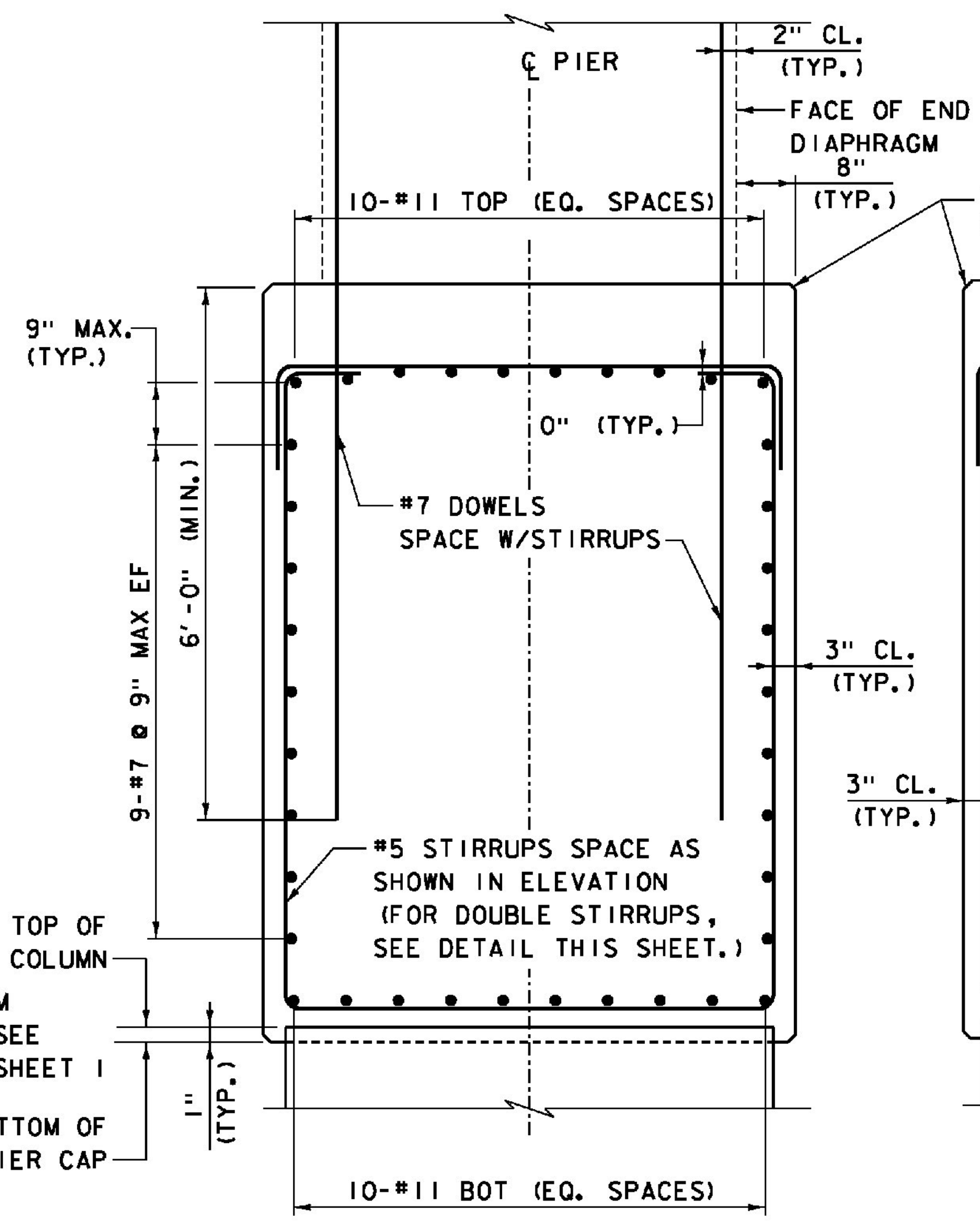
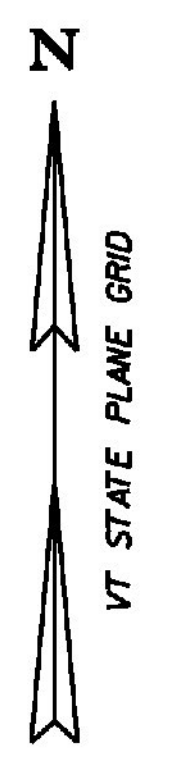
PIER CAP PLAN - PIER 5
SCALE 3/8" = 1'-0"



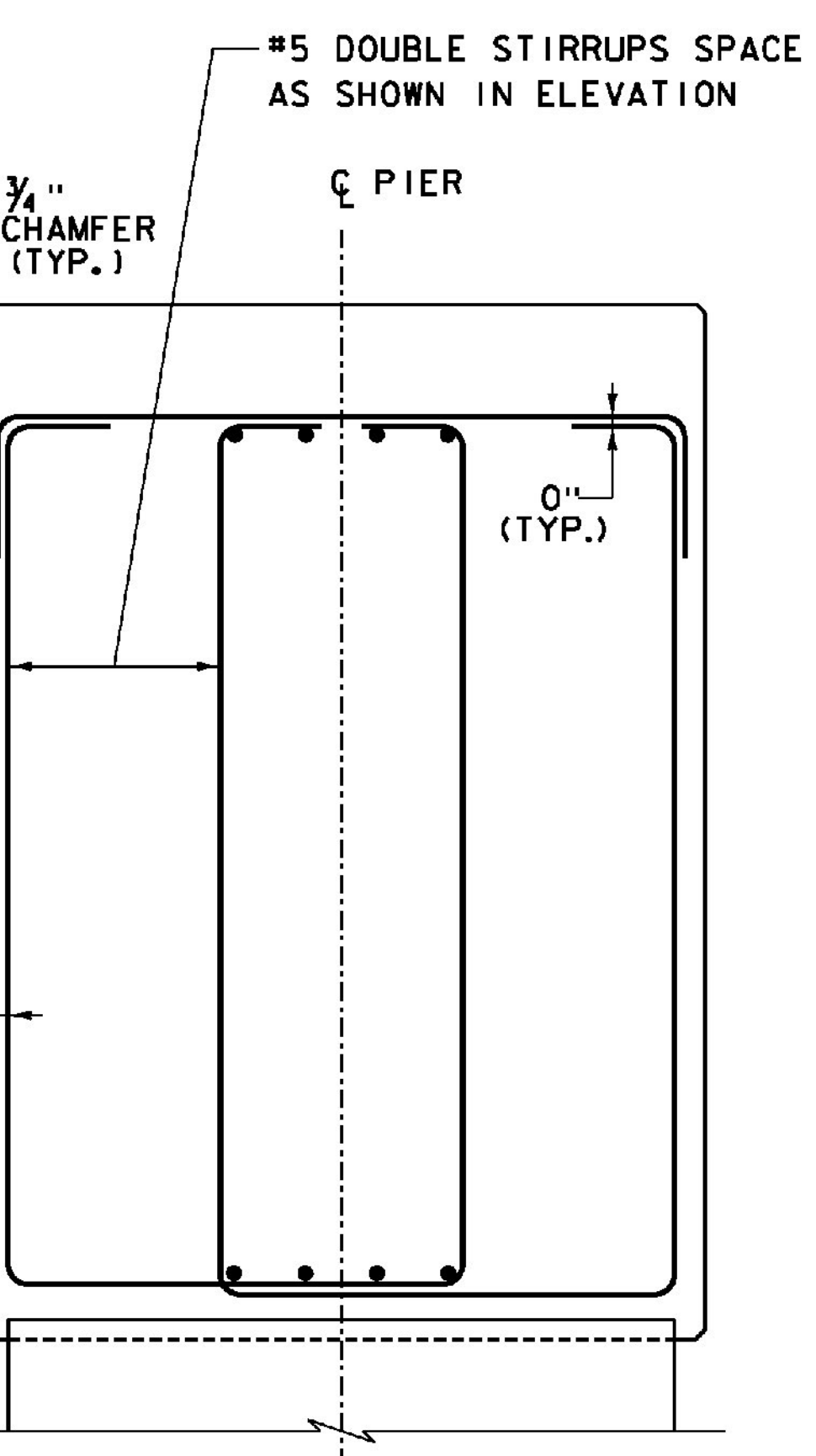
PIER CAP REINFORCING PLAN - PIER 5
SCALE 3/8" = 1'-0"



PIER CAP REINFORCING ELEVATION - PIER 5
SCALE 3/8" = 1'-0"



TYPICAL PIER CAP REINFORCING SECTION
PIER 5
SCALE 3/4" = 1'-0"



DOUBLE STIRRUP DETAIL
PIER 5
SCALE 3/4" = 1'-0"

NOTES:

1. REINFORCING STEEL DOWELS EXTENDING FROM PIER CAP INTO END DIAPHRAGM SHALL BE SPACED WITH STIRRUPS AS SHOWN. NINE DOWELS SHALL EXTEND FROM CAP BETWEEN BOTTOM FLANGES OF ADJACENT GIRDERS ON EACH SIDE OF CAP. ADJUST TO AVOID INTERFERENCE WITH COLUMN REINFORCING AS REQUIRED.

WORKING POINT CONTROL				
PIER	POINT NO.	STATION	NORTHING	EASTING
5	WP5B6	2924+03.50, 14.17' LT.	347547.0895	1665150.7473
	WP23B	2924+03.50, CL	347546.8091	1665164.9112
	WP5B10	2924+03.50, 20.17' RT.	347546.4098	1665185.0740
	WP5A6	2924+06.50, 14.17' LT.	347550.0889	1665150.8067
	WP23A	2924+06.50, CL	347549.8085	1665164.9706
	WP5A10	2924+06.50, 20.17' RT.	347549.4093	1665185.1334

ITEMS USED ON THIS SHEET	
ITEM NO.	DESCRIPTION
501.34	CONCRETE, HIGH PERFORMANCE CLASS B
507.17	EPOXY COATED REINFORCING STEEL
900.635	STAINLESS STEEL REINFORCING

PROJECT NAME: WINDSOR
 PROJECT NUMBER: IM 091-1(64)
 FILE NAME: z10o188PD3.dgn
 PROJECT LEADER: J. WILSON
 DESIGNED BY: S. BOYINGTON
 NB PIER DETAILS - SHEET 3
 PLOT DATE: 7/30/2015
 DRAWN BY: S. GUNN
 CHECKED BY: S. HALLORAN
 SHEET 148 OF 156