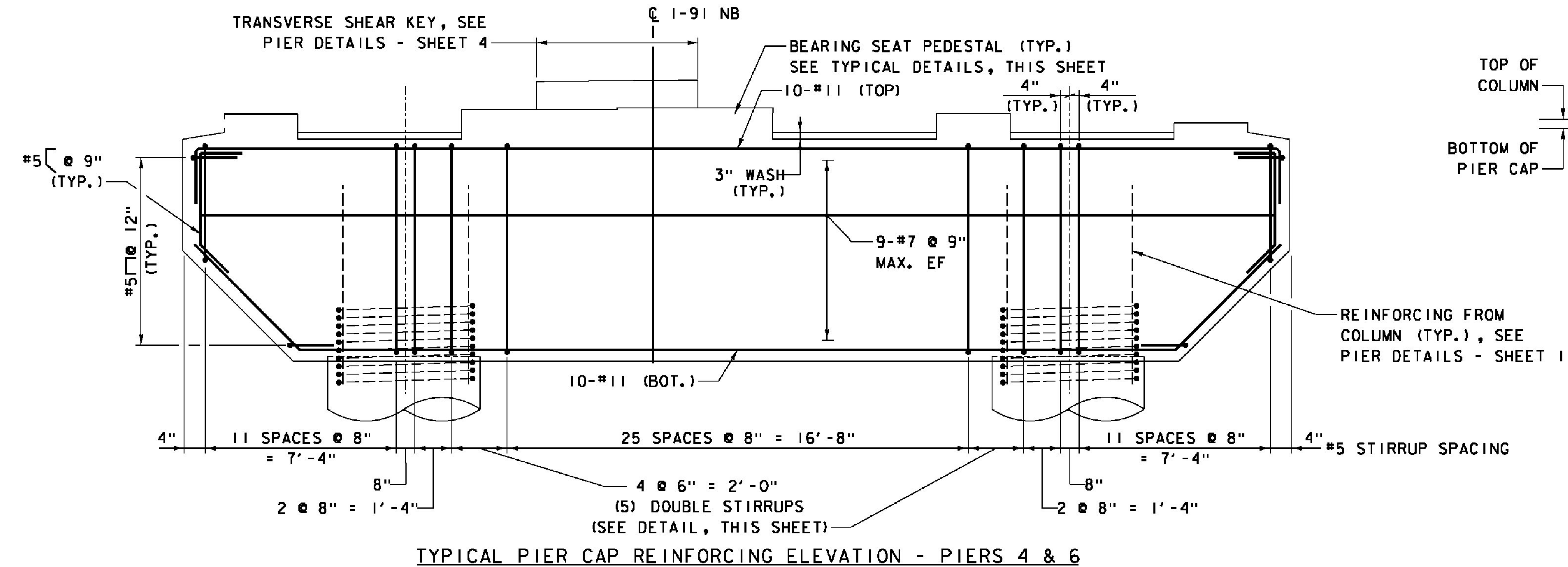


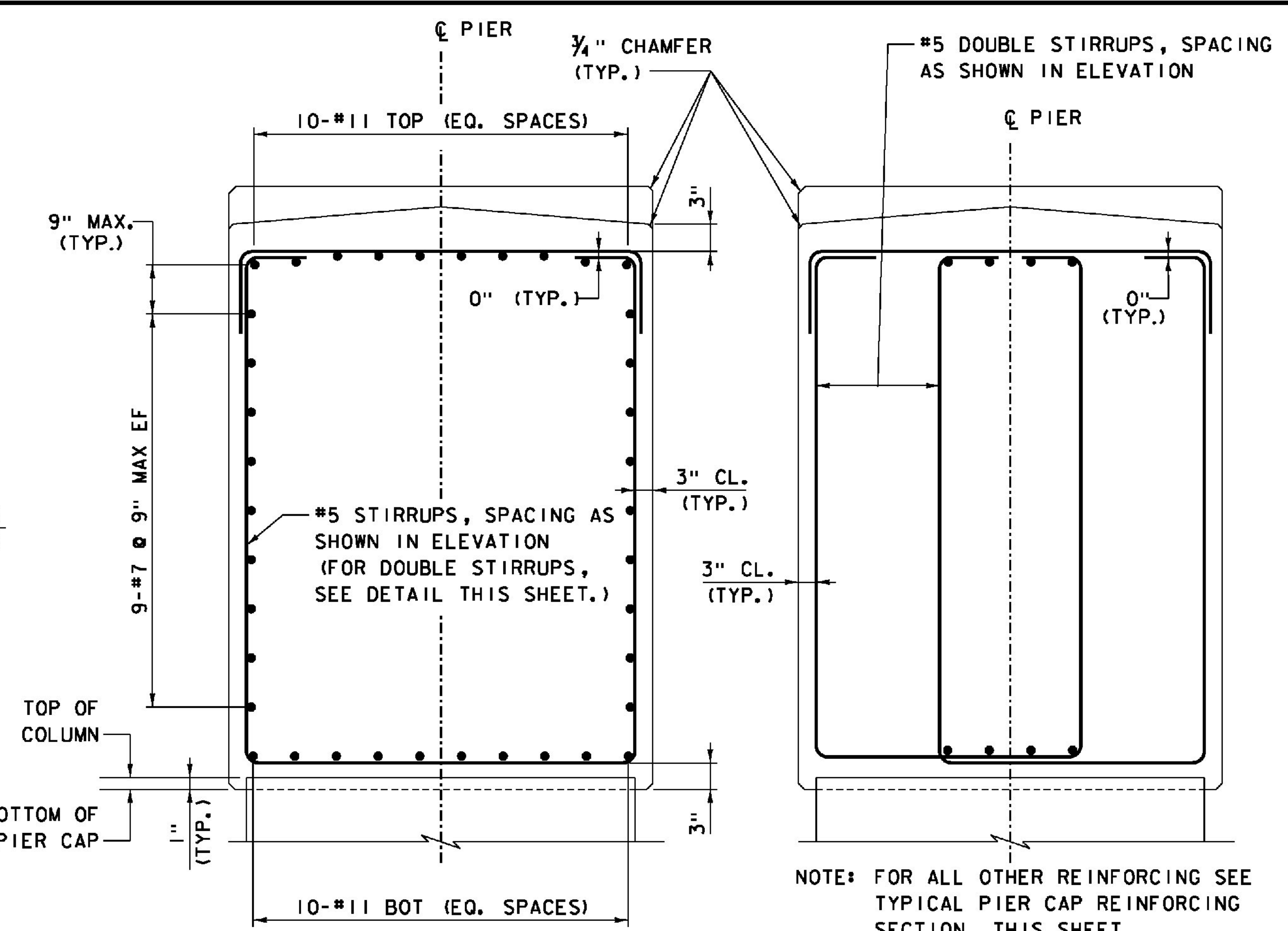
TYPICAL PIER CAP PLAN - PIERS 4 & 6

SCALE 3/8" = 1'-0"



TYPICAL PIER CAP REINFORCING ELEVATION - PIERS 4 & 6

SCALE 3/8" = 1'-0"

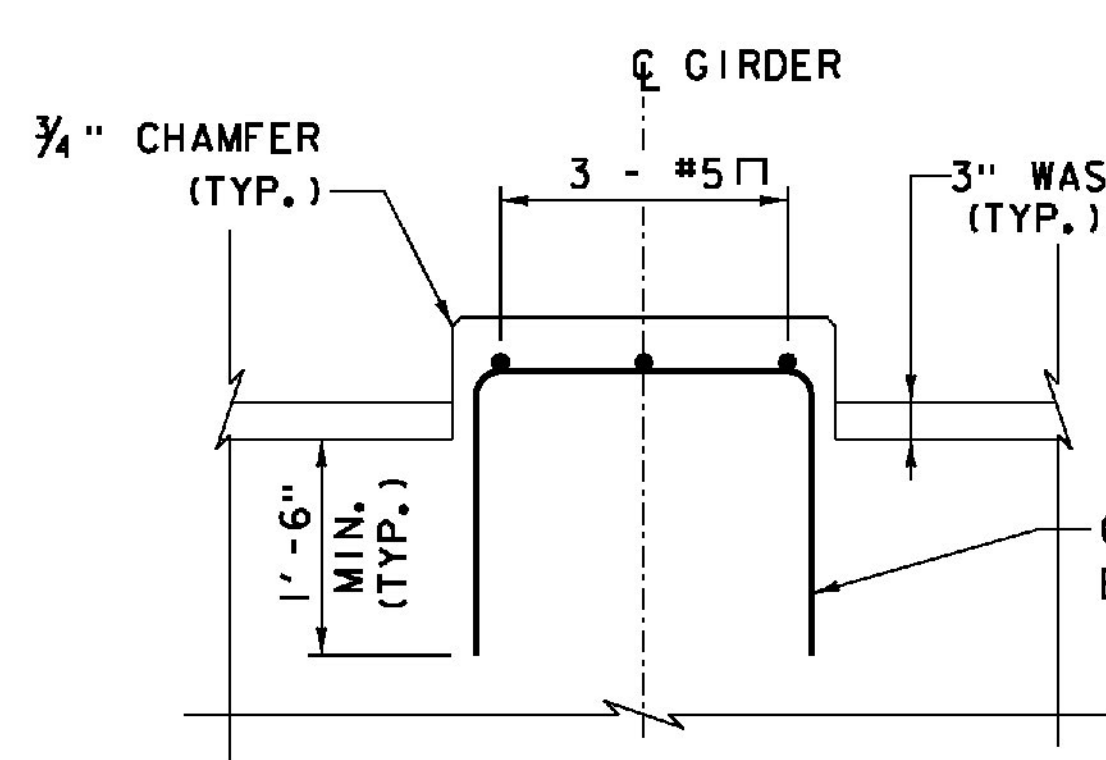


PIER CAP REINFORCING SECTION

DOUBLE STIRRUP DETAIL

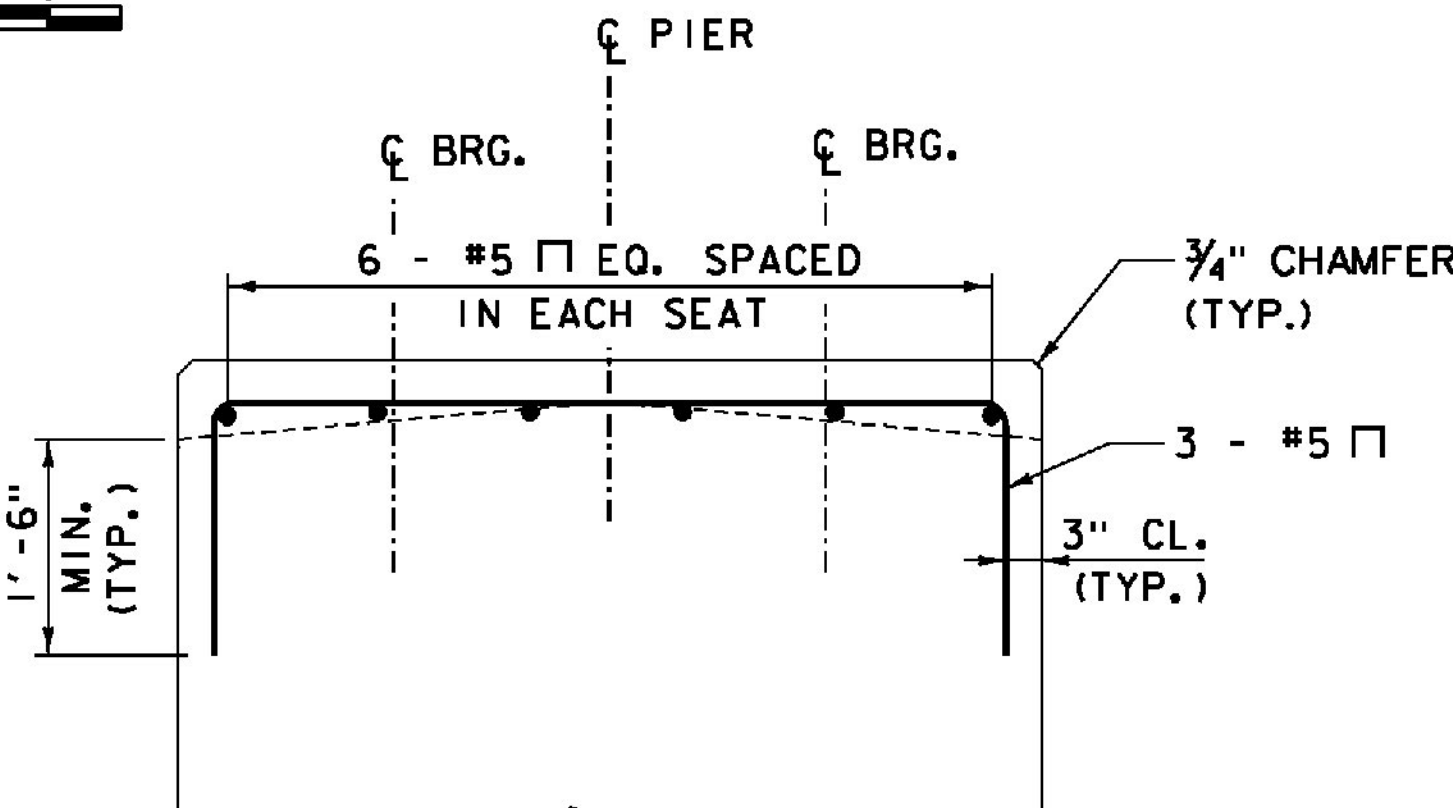
SCALE 3/8" = 1'-0"

SCALE 3/4" = 1'-0"



TYPICAL PEDESTAL ELEVATION

SCALE 3/4" = 1'-0"



TYPICAL PEDESTAL SECTION

SCALE 3/4" = 1'-0"

NOTE: FOR BEARING SEAT ELEVATIONS, SEE SPECIFIC PIER ELEVATION AND SECTION SHEETS.

WORKING POINT CONTROL				
PIER	POINT NO.	STATION	NORTHING	EASTING
4	WP4B6	2922+43.50, 14.17' LT.	347387.1209	1665147.5800
	WP20B	2922+43.50, CL	347386.8404	1665161.7439
	WP4B10	2922+43.50, 20.17' RT.	347386.4412	1665181.9066
	WP4A6	2922+46.50, 14.17' LT.	347390.1203	1665147.6394
	WP20A	2922+46.50, CL	347389.8398	1665161.8033
	WP4A10	2922+46.50, 20.17' RT.	347389.4406	1665181.9660
6	WP6B6	2925+63.50, 14.17' LT.	347707.0581	1665153.9146
	WP26B	2925+63.50, CL	347706.7777	1665168.0785
	WP6B10	2925+63.50, 20.17' RT.	347706.3785	1665188.2413
	WP6A6	2925+66.50, 14.17' LT.	347710.0576	1665153.9740
	WP26A	2925+66.50, CL	347709.7771	1665168.1379
	WP6A10	2925+66.50, 20.17' RT.	347709.3779	1665188.3007

ITEMS USED ON THIS SHEET	
ITEM NO.	DESCRIPTION
501.34	CONCRETE, HIGH PERFORMANCE CLASS B
507.17	EPOXY COATED REINFORCING STEEL

PROJECT NAME: WINDSOR  
 PROJECT NUMBER: IM 091-1(64)  
 FILE NAME: z10o188PD2.dgn  
 PROJECT LEADER: J. WILSON  
 DESIGNED BY: S. BOYINGTON  
 NB PIER DETAILS - SHEET 2  
 PLOT DATE: 7/30/2015  
 DRAWN BY: S. GUNN  
 CHECKED BY: S. HALLORAN  
 SHEET 147 OF 156