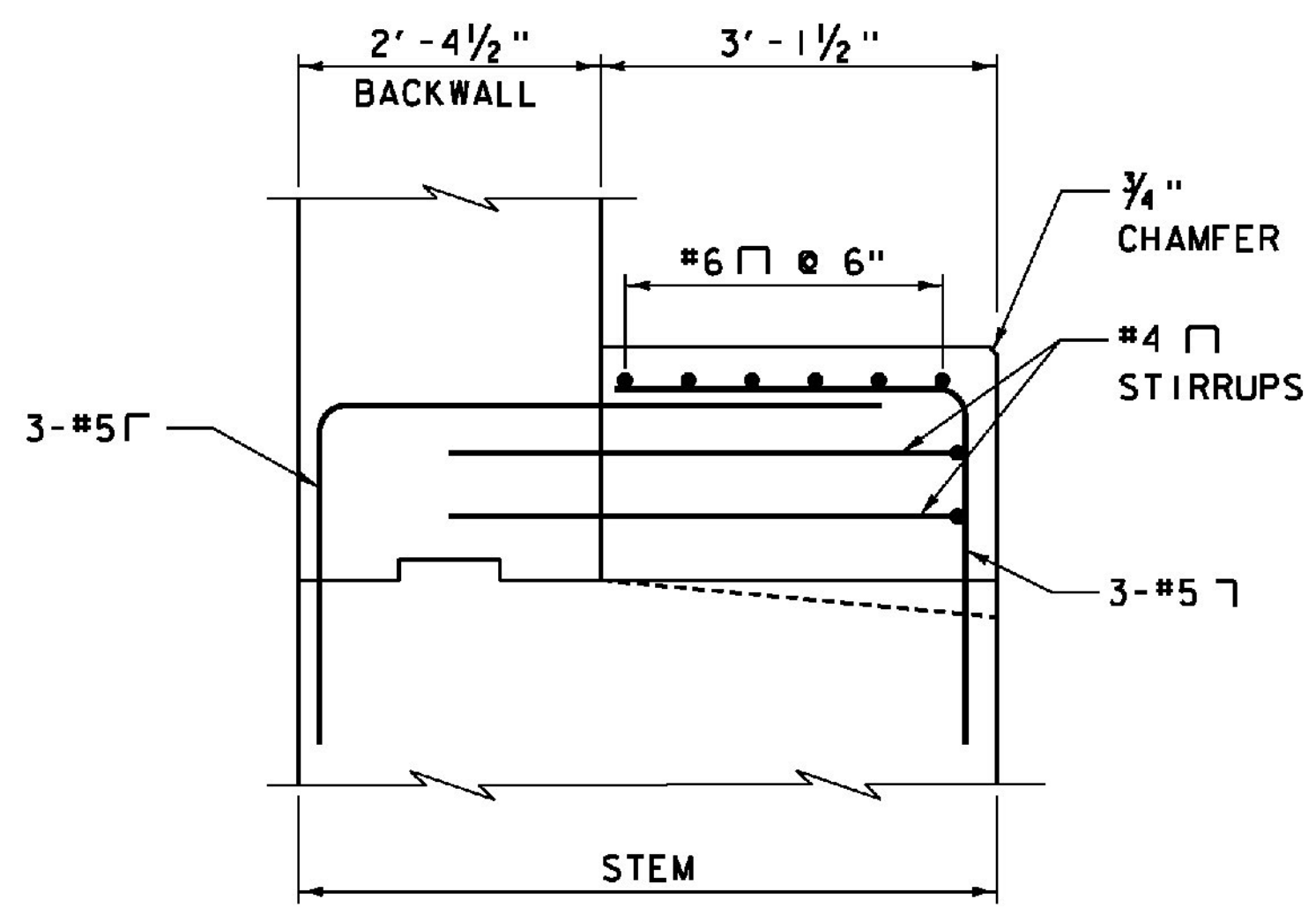
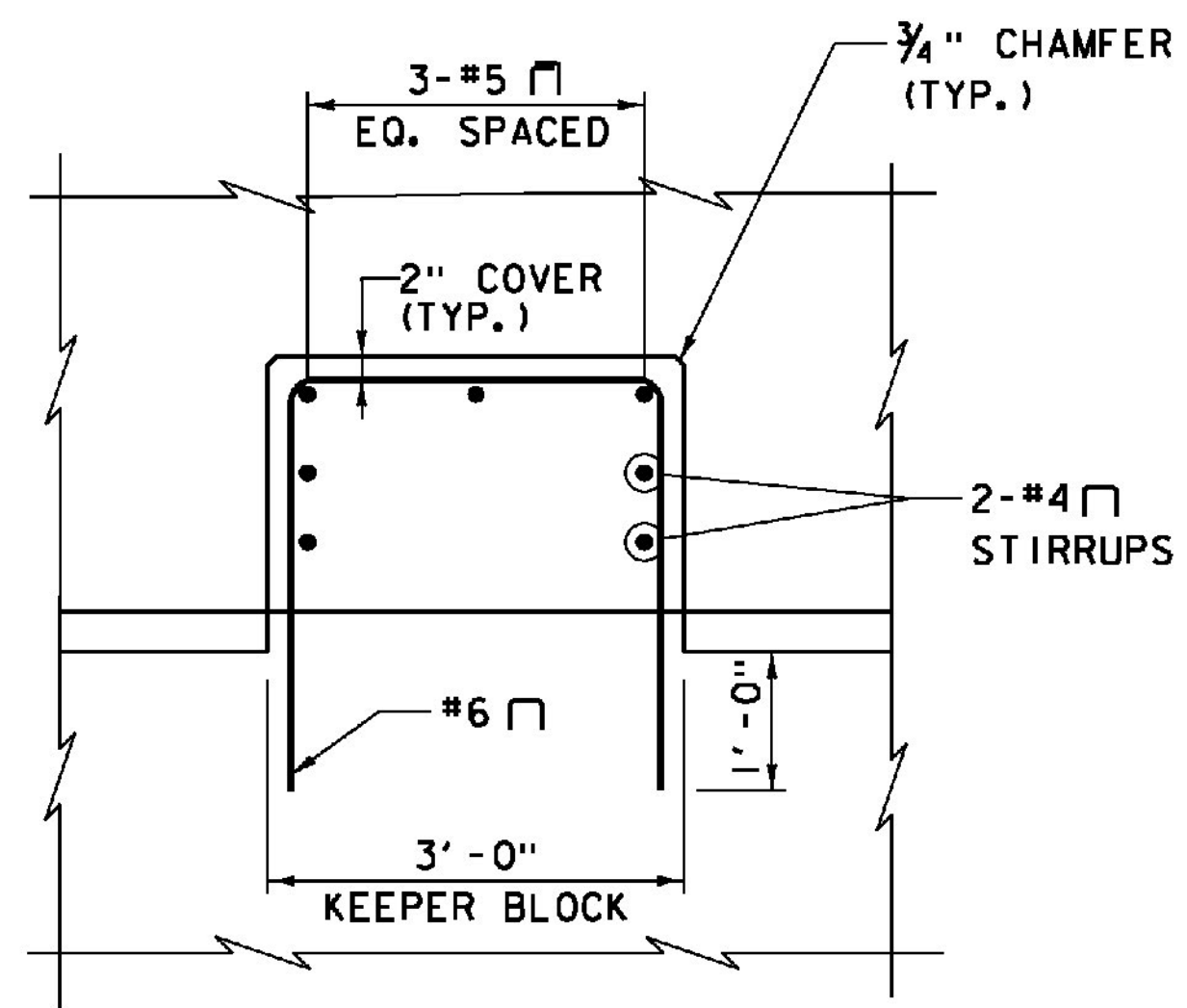


PLAN



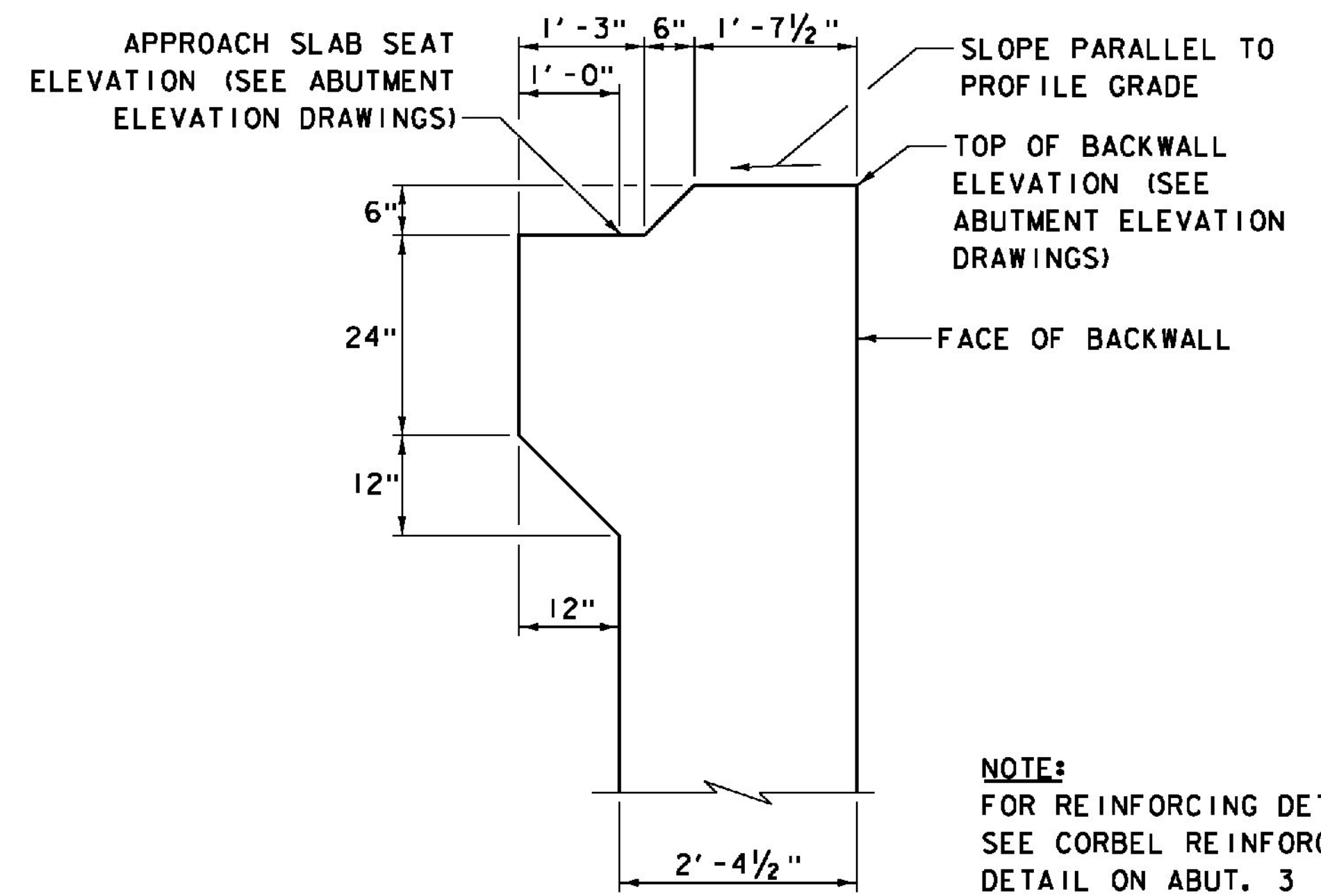
SECTION



ELEVATION

KEEPER BLOCK REINFORCEMENT DETAILS

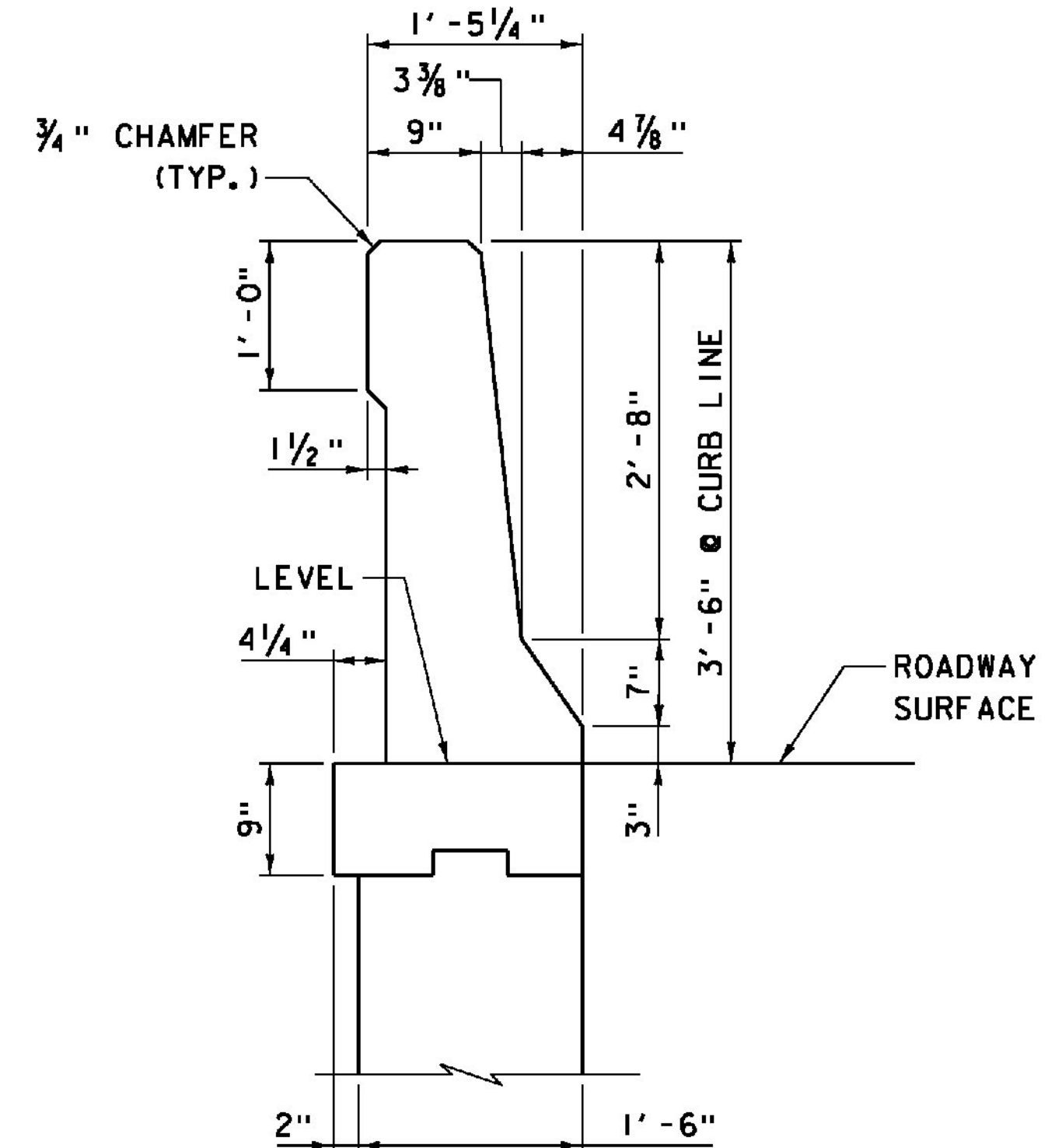
SCALE 3/4" = 1'-0"



TOP OF BACKWALL

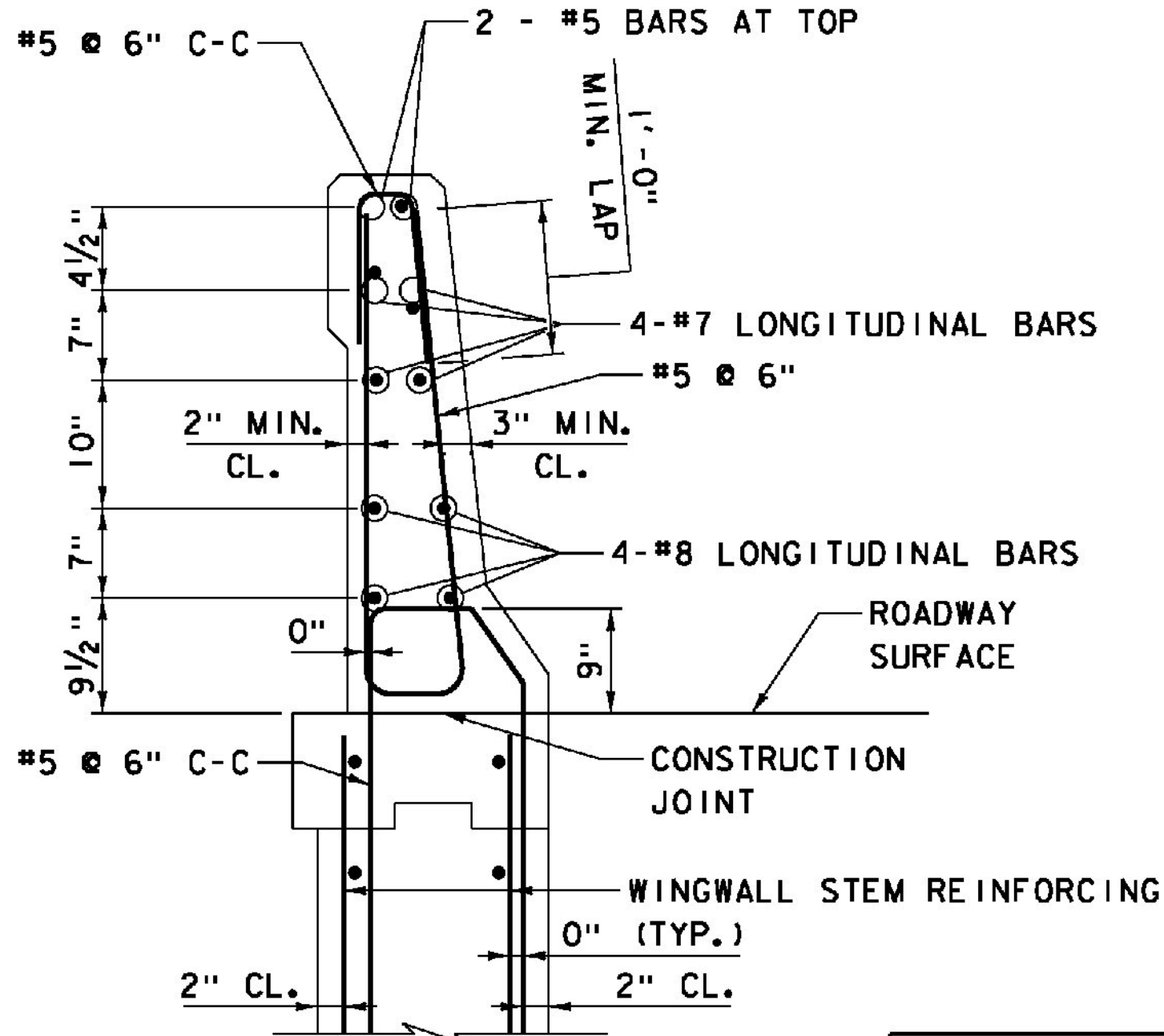
SCALE 3/4" = 1'-0"

NOTE:  
 FOR REINFORCING DETAILS,  
 SEE CORBEL REINFORCEMENT  
 DETAIL ON ABUT. 3  
 REINFORCEMENT - SHEET 2



F-SHAPE BARRIER ON WINGWALL DETAIL

SCALE 1" = 1'-0"



F-SHAPE BARRIER ON WINGWALL - REINFORCEMENT

SCALE 1" = 1'-0"

HORIZONTAL LAP SPLICES	
BAR SIZE	MIN. LENGTH LAP
#5	2'-7"
#7	3'-10"
#8	5'-1"

ITEMS USED ON THIS SHEET	
ITEM NO.	DESCRIPTION
501.33	CONCRETE, HIGH PERFORMANCE CLASS A
507.17	EPOXY COATED REINFORCING STEEL
900.635	STAINLESS STEEL REINFORCING
900.640	BRIDGE RAILING, F-SHAPE CONCRETE

PROJECT NAME: WINDSOR  
 PROJECT NUMBER: IM 091-1(64)  
 FILE NAME: z10o188AD2.dgn  
 PROJECT LEADER: J. WILSON  
 DESIGNED BY: S. BOYINGTON  
 NB ABUTMENT DETAILS - SHEET 2  
 PLOT DATE: 7/30/2015  
 DRAWN BY: S. GUNN  
 CHECKED BY: S. HALLORAN  
 SHEET 144 OF 156