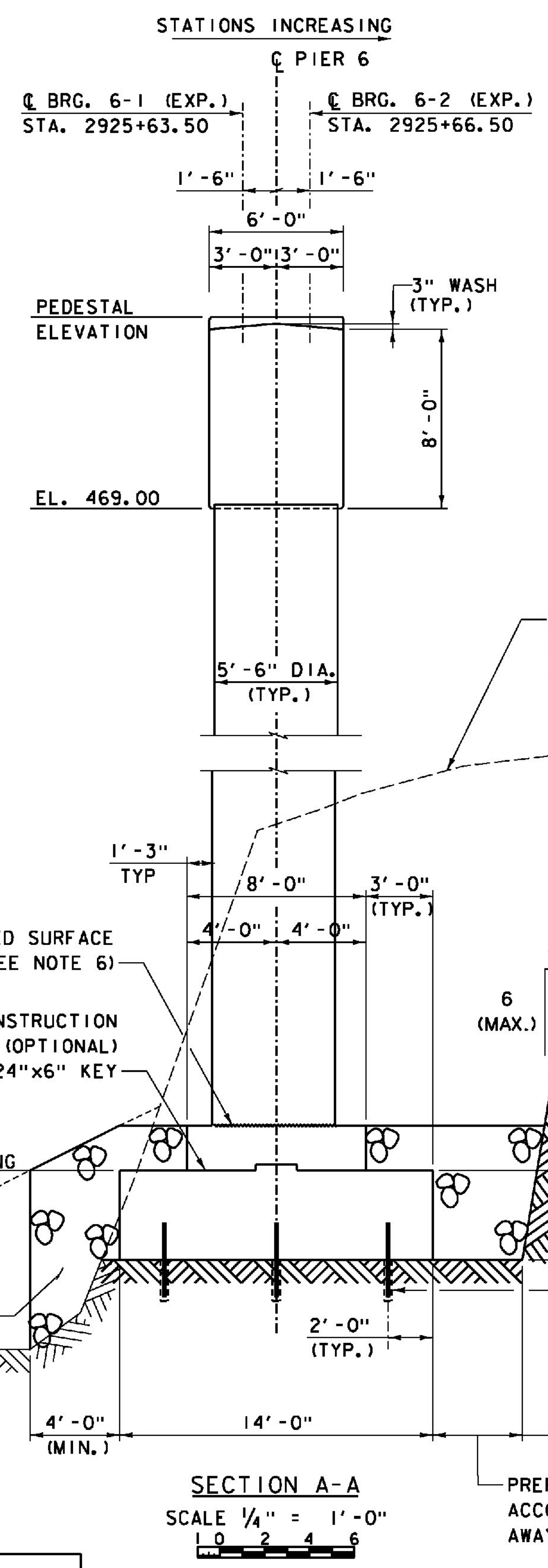


PEDESTAL ELEVATIONS	
GIRDER	ELEVATION
6	477.90
7	478.08
8	478.13
9	477.93
10	477.58

PIER 6 ELEVATION
SCALE 1/4" = 1'-0"
2 0 2 4

ITEMS USED ON THIS SHEET	
ITEM NO.	DESCRIPTION
204.25	STRUCTURE EXCAVATION
501.34	CONCRETE, HIGH PERFORMANCE CLASS B
507.16	DRILLING AND GROUTING DOWELS
529.15	REMOVAL OF STRUCTURE
613.11	STONE FILL, TYPE II
651.15	SEED
651.25	HAY MULCH
651.35	TOPSOIL



SECTION A-A
SCALE 1/4" = 1'-0"
1 0 2 4 6

- NOTES:**
- FOR PIER CAP AND PEDESTAL DETAILS, SEE PIER DETAILS - SHEET 2.
 - FOR TRANSVERSE SHEAR KEY DETAILS, SEE PIER DETAILS - SHEET 4.
 - FOR PIER 6 FOOTING REINFORCING DETAILS, SEE PIER 6 REINFORCEMENT.
 - FOR FOUNDATION ON BEDROCK NOTES, SEE ABUTMENT 4 ELEVATION SHEET.
 - EMBANKMENT AREAS DISTURBED BY CONSTRUCTION BEYOND THE LIMITS OF STONE FILL, TYPE II SHALL BE RESTORED UPON COMPLETION OF THE WORK BY INSTALLING TOPSOIL, SEED AND HAY MULCH.
 - THE CONSTRUCTION JOINT BETWEEN FOOTING PEDESTALS AND BASE OF COLUMNS SHALL BE INTENTIONALLY ROUGHENED TO 1/4" - 1/2" DEPTH. FOR DETAILS OF TYPICAL HORIZONTAL CONSTRUCTION JOINT, SEE ABUTMENT DETAILS - SHEET 1.

PROJECT NAME: WINDSOR
PROJECT NUMBER: IM 091-1(64)
FILE NAME: z10a18BPier6ES.dgn
PLOT DATE: 7/30/2015
PROJECT LEADER: J. WILSON
DRAWN BY: S. GUNN
DESIGNED BY: S. BOYINGTON
CHECKED BY: S. HALLORAN
PIER 6 ELEVATION & SECTION
SHEET 141 OF 156