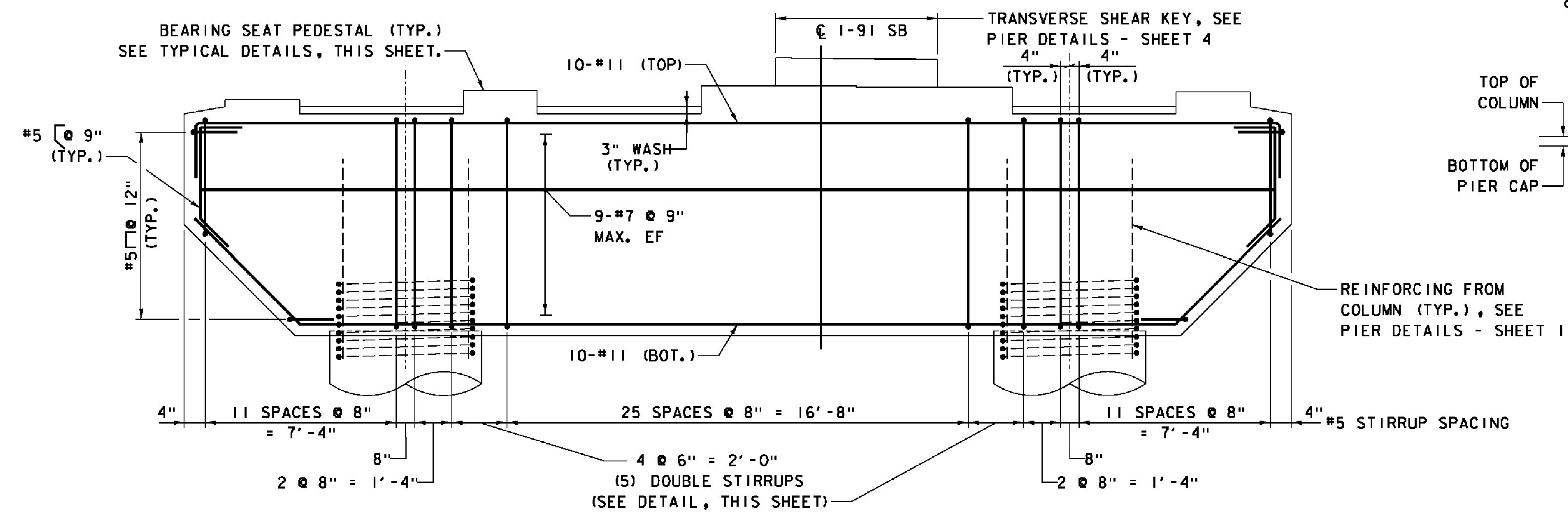
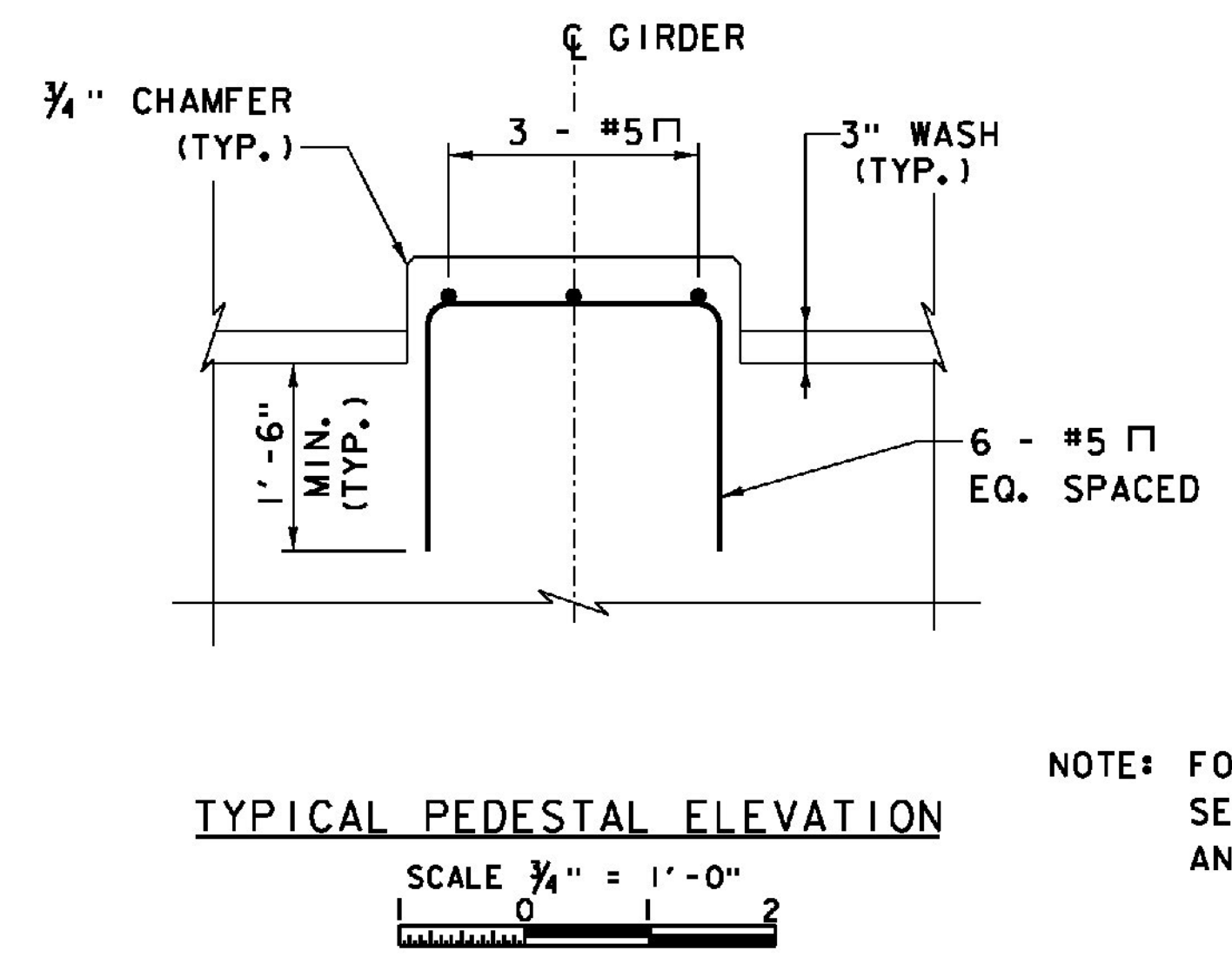


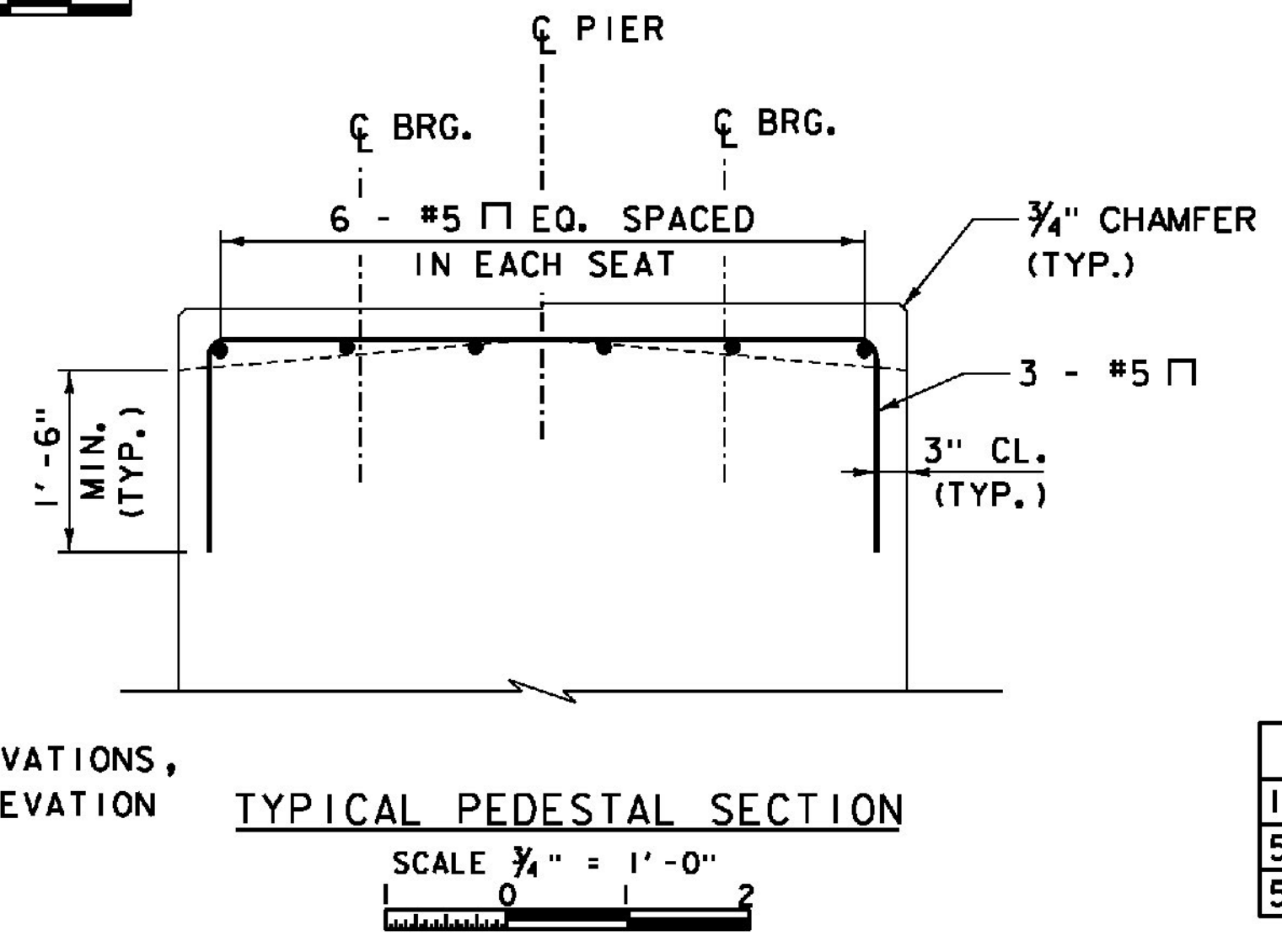
TYPICAL PIER CAP PLAN - PIERS 1 & 3
SCALE 3/8" = 1'-0"



TYPICAL PIER CAP REINFORCING ELEVATION - PIERS 1 & 3
SCALE 3/8" = 1'-0"

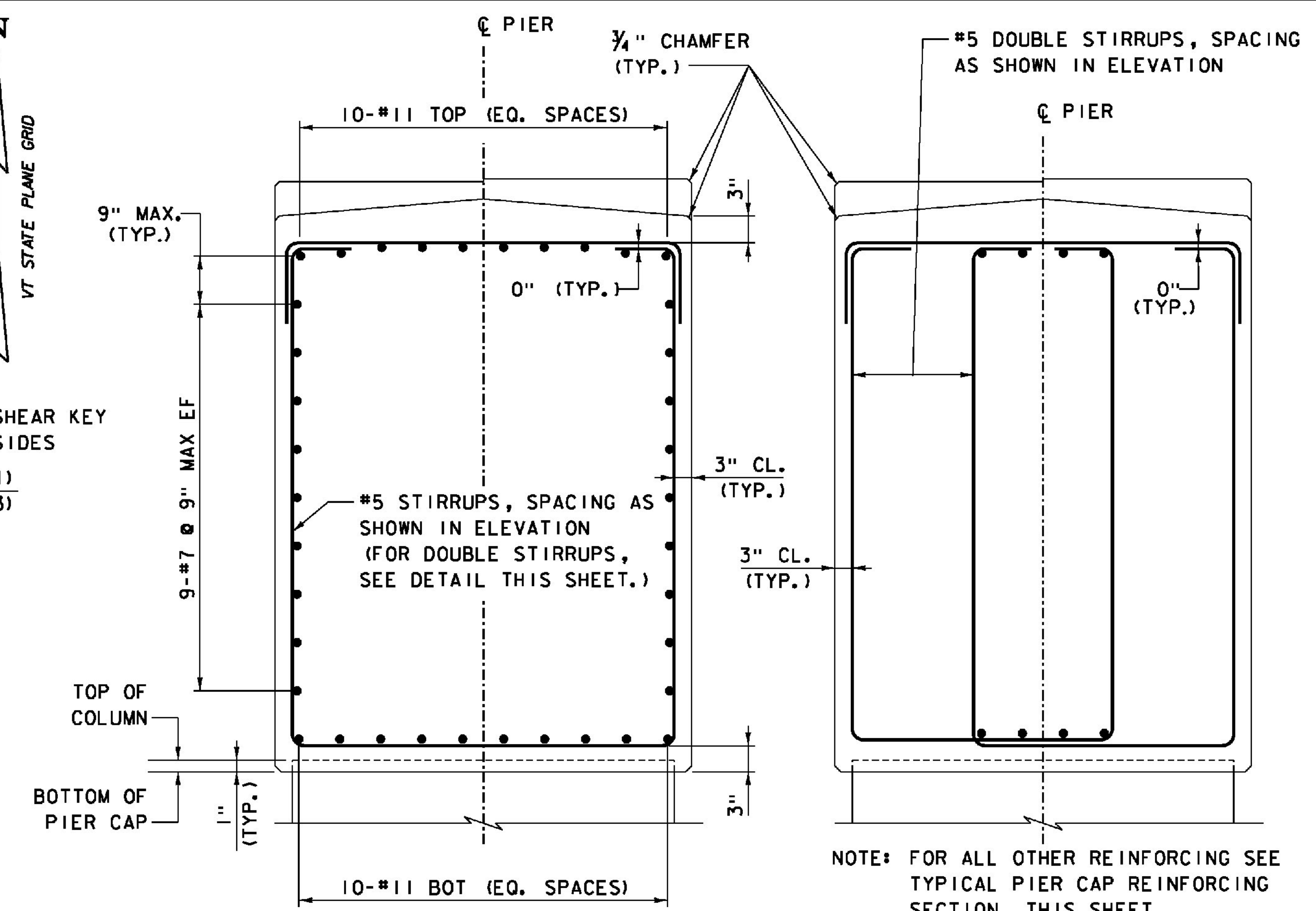


TYPICAL PEDESTAL ELEVATION
SCALE 3/4" = 1'-0"



TYPICAL PEDESTAL SECTION
SCALE 3/4" = 1'-0"

NOTE: FOR BEARING SEAT ELEVATIONS, SEE SPECIFIC PIER ELEVATION AND SECTION SHEETS.



PIER CAP REINFORCING SECTION
PIERS 1 & 3

DOUBLE STIRRUP DETAIL
PIERS 1 & 3

SCALE 3/4" = 1'-0"

SCALE 3/4" = 1'-0"

WORKING POINT CONTROL				
PIER	POINT NO.	STATION	NORTHING	EASTING
1	WP1B1	1922+19.50, 20.17' LT.	347364.7092	1665067.1206
	WP5B	1922+19.50, CL	347364.3100	1665087.2833
	WP1B5	1922+19.50, 14.17' RT.	347364.0296	1665101.4472
	WP1A1	1922+22.50, 20.17' LT.	347367.7086	1665067.1800
	WP5A	1922+22.50, CL	347367.3094	1665087.3427
	WP1A5	1922+22.50, 14.17' RT.	347367.0290	1665101.5066
3	WP3B1	1925+39.50, 20.17' LT.	347684.6465	1665073.4552
	WP11B	1925+39.50, CL	347684.2473	1665093.6179
	WP3B5	1925+39.50, 14.17' RT.	347683.9669	1665107.7818
	WP3A1	1925+42.50, 20.17' LT.	347687.6459	1665073.5146
	WP11A	1925+42.50, CL	347687.2467	1665093.6773
	WP3A5	1925+42.50, 14.17' RT.	347686.9663	1665107.8412

ITEMS USED ON THIS SHEET	
ITEM NO.	DESCRIPTION
501.34	CONCRETE, HIGH PERFORMANCE CLASS B
507.17	EPOXY COATED REINFORCING STEEL

PROJECT NAME: WINDSOR
 PROJECT NUMBER: IM 091-1(64)
 FILE NAME: z10o188PD2.dgn
 PROJECT LEADER: J. WILSON
 DESIGNED BY: S. BOYINGTON
 SB PIER DETAILS - SHEET 2
 PLOT DATE: 7/30/2015
 DRAWN BY: S. GUNN
 CHECKED BY: S. HALLORAN
 SHEET 115 OF 156