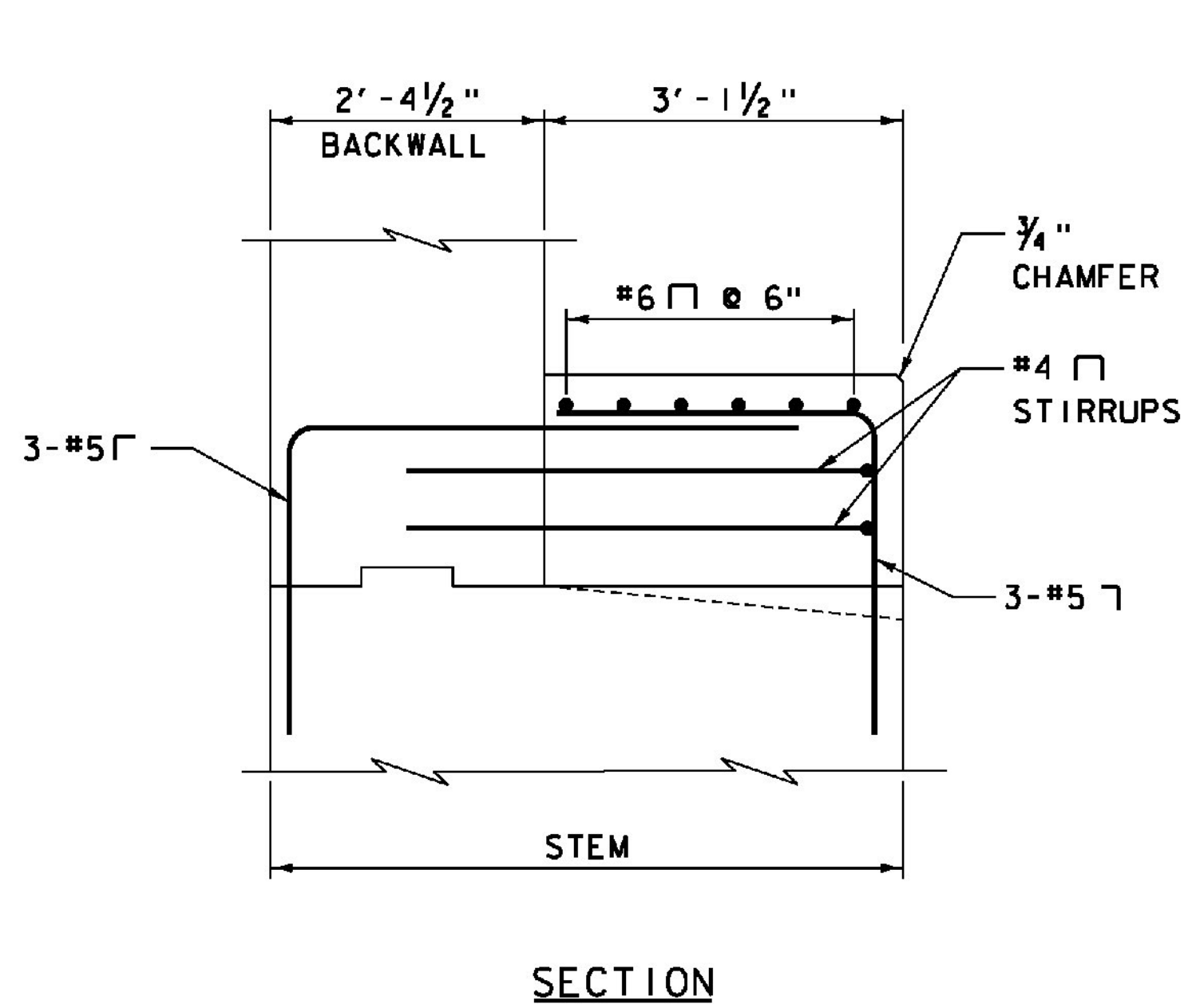
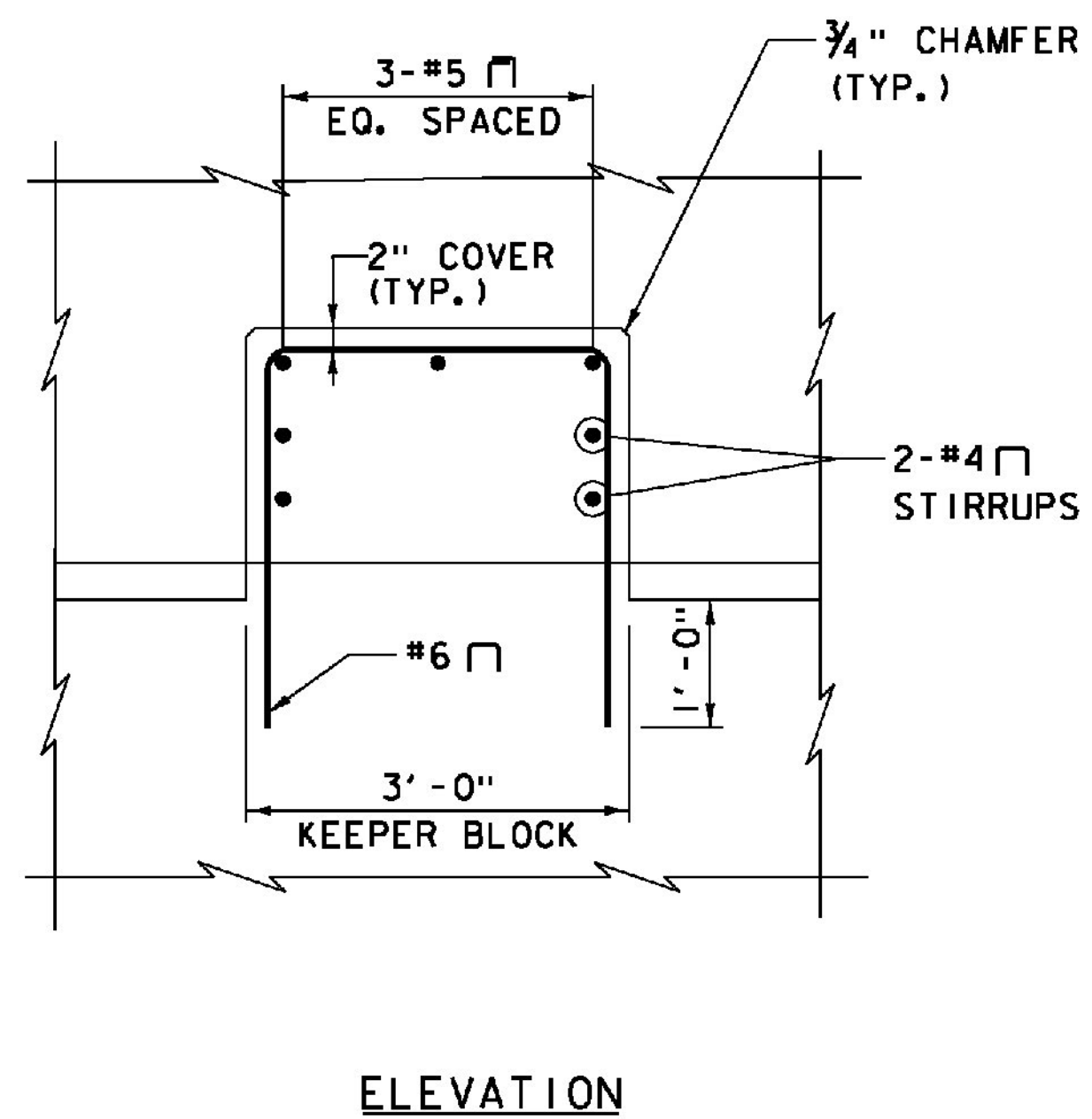


PLAN



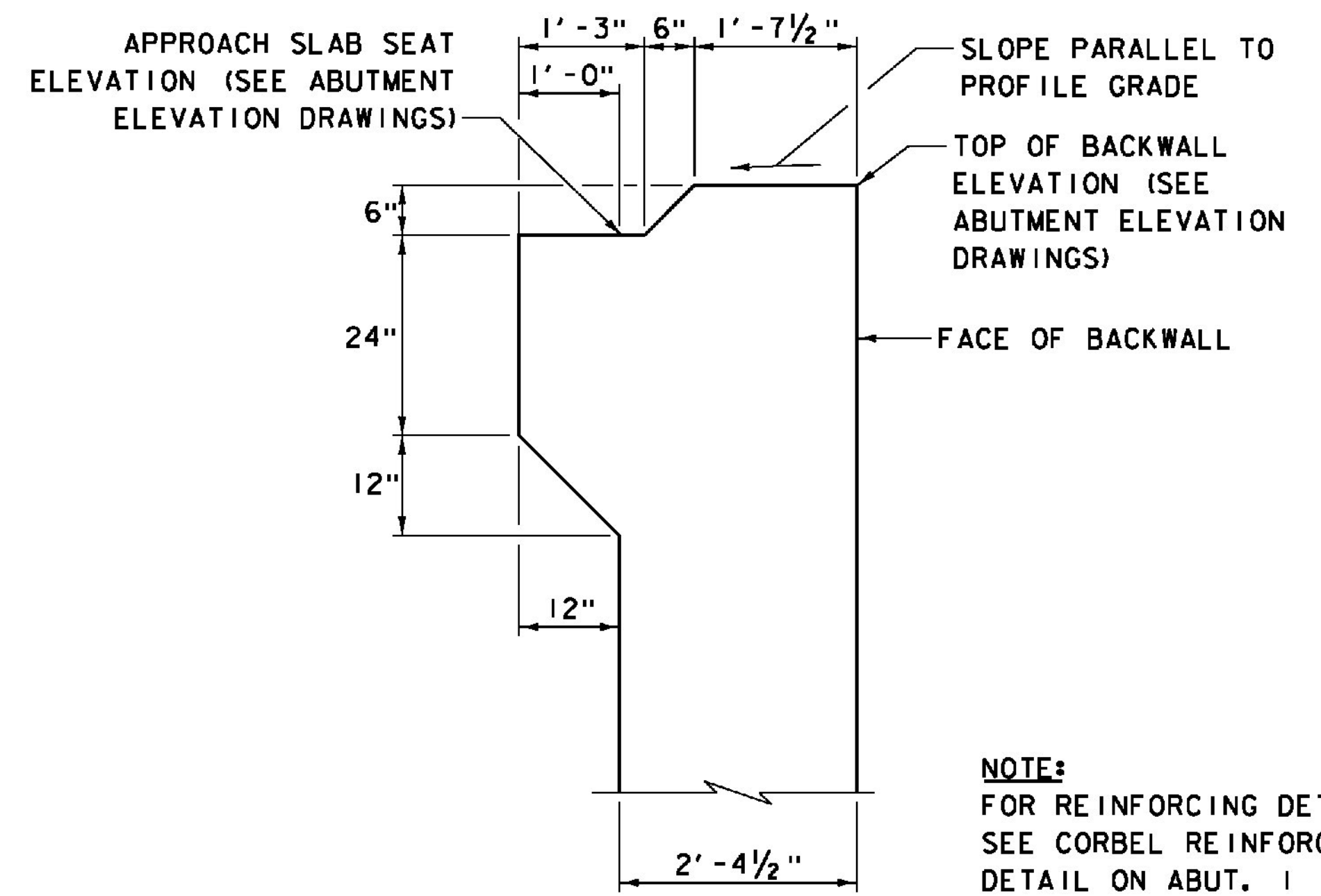
SECTION



ELEVATION

KEEPER BLOCK REINFORCEMENT DETAILS

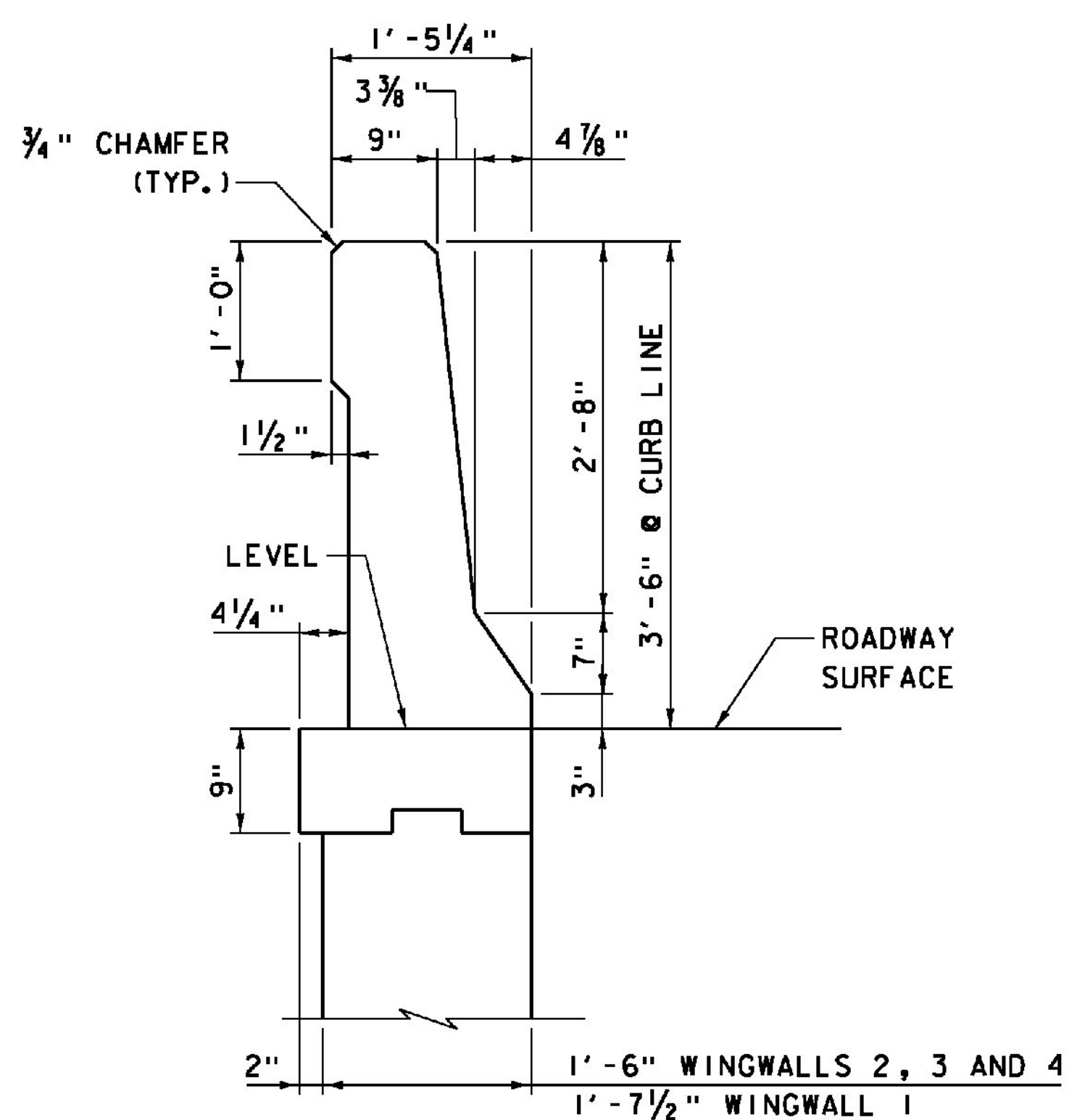
SCALE 3/4" = 1'-0"
0 1 2



TOP OF BACKWALL

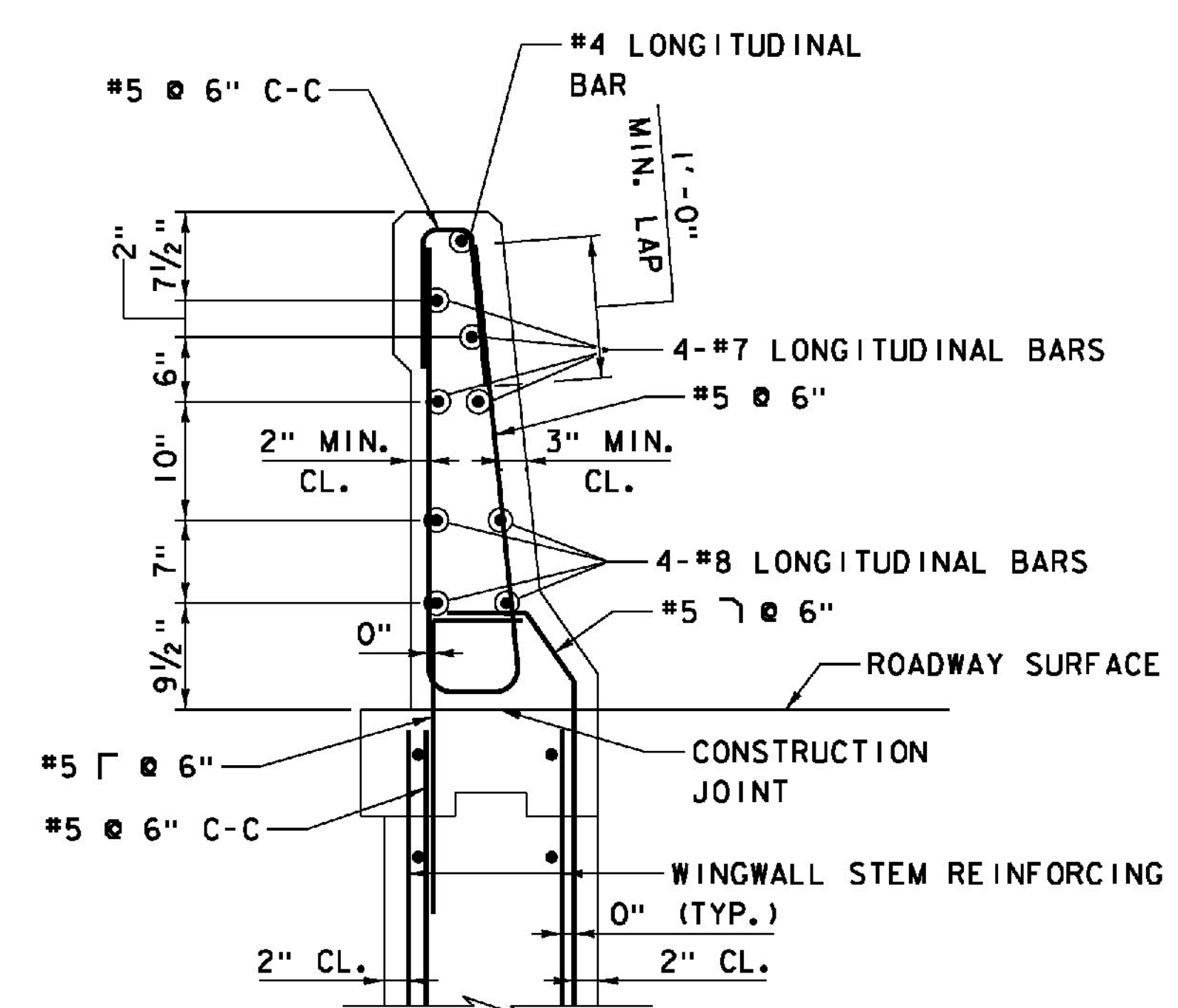
SCALE 3/4" = 1'-0"
0 1 2

NOTE:
FOR REINFORCING DETAILS,
SEE CORBEL REINFORCEMENT
DETAIL ON ABUT. 1
REINFORCEMENT - SHEET 2



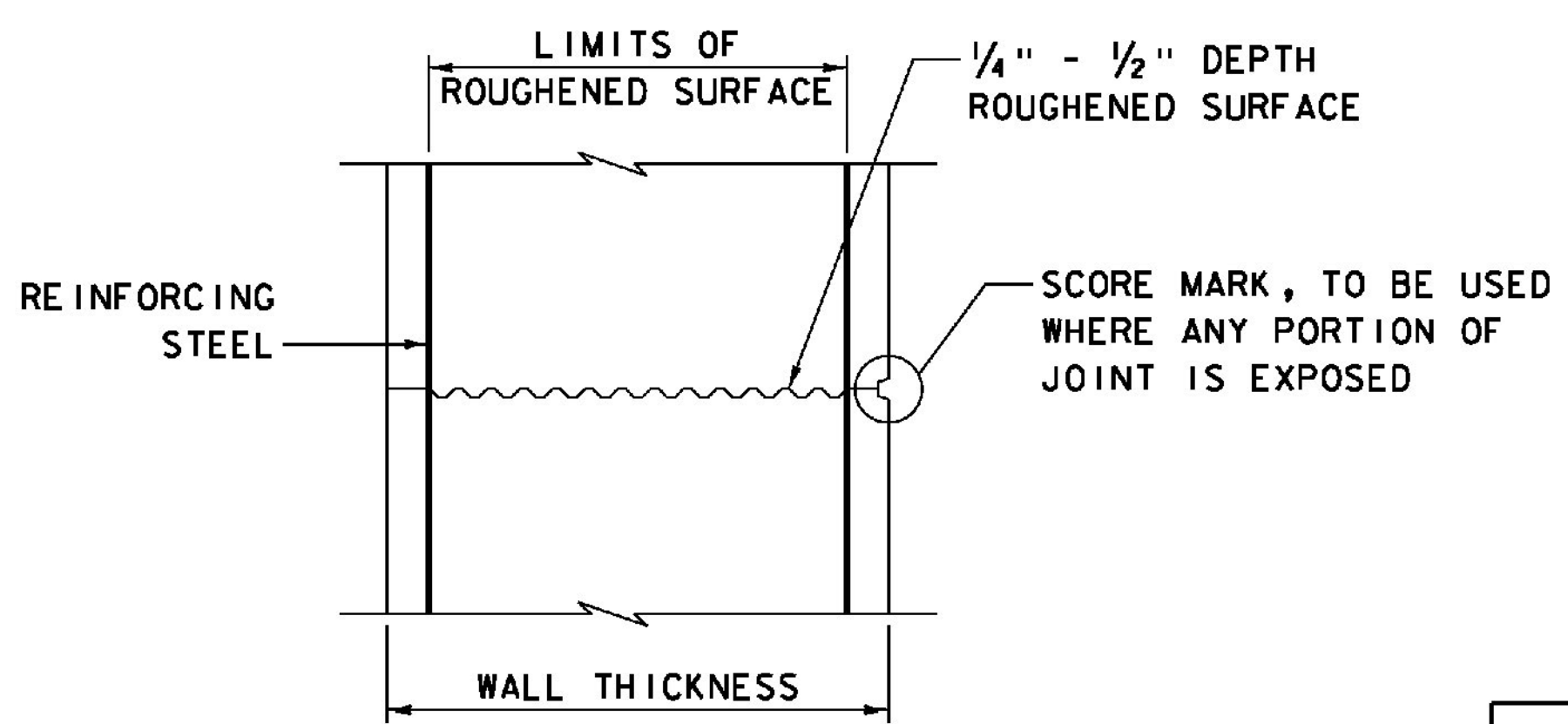
F-SHAPE BARRIER ON WINGWALL DETAIL

SCALE 1" = 1'-0"
0 1 2



F-SHAPE BARRIER ON WINGWALL - REINFORCEMENT

SCALE 1" = 1'-0"
0 1 2



TYPICAL HORIZONTAL CONSTRUCTION JOINT

NOT TO SCALE

1. THE SURFACE OF THE CONCRETE CONSTRUCTION JOINTS SHALL BE CLEANED AND FREE OF LAITANCE.
2. IMMEDIATELY BEFORE NEW CONCRETE IS PLACED, ALL CONSTRUCTION JOINTS SHALL BE WETTED AND STANDING WATER REMOVED.

ITEMS USED ON THIS SHEET	
ITEM NO.	DESCRIPTION
501.33	CONCRETE, HIGH PERFORMANCE CLASS A
507.17	EPOXY COATED REINFORCING STEEL
900.635	STAINLESS STEEL REINFORCING
900.640	BRIDGE RAILING, F-SHAPE CONCRETE

PROJECT NAME:	WINDSOR	FILE NAME:	z10o188AD2.dgn	PLOT DATE:	7/30/2015
PROJECT NUMBER:	IM 091-1(64)	PROJECT LEADER:	J. WILSON	DRAWN BY:	S. GUNN
		DESIGNED BY:	S. BOYINGTON	CHECKED BY:	S. HALLORAN
		SB ABUTMENT DETAILS - SHEET 2		SHEET 112	OF 156