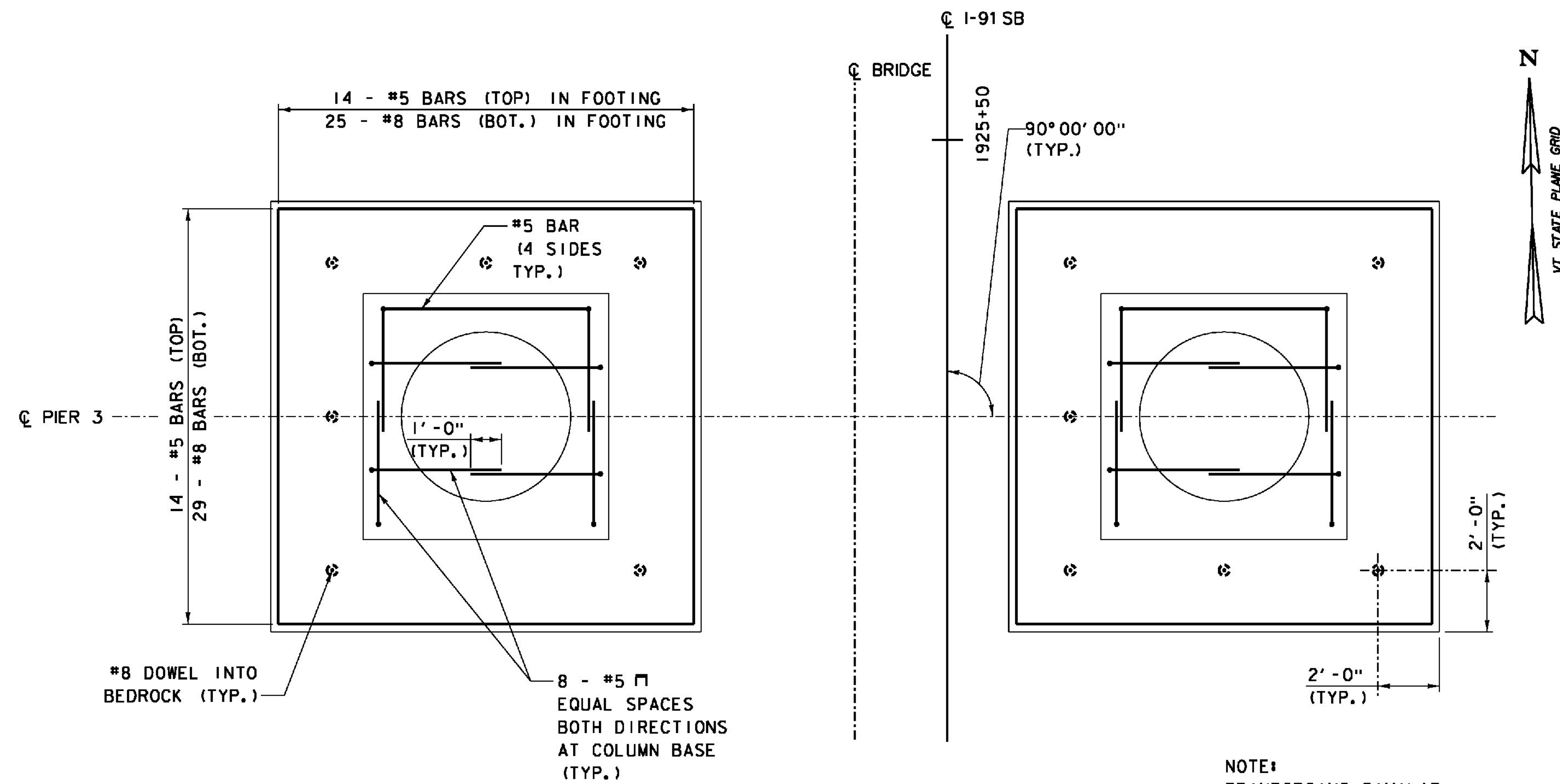


ITEMS USED ON THIS SHEET	
ITEM NO.	DESCRIPTION
501.34	CONCRETE, HIGH PERFORMANCE CLASS B
507.15	REINFORCING STEEL
507.16	DRILLING AND GROUTING DOWELS
507.17	EPOXY COATED REINFORCING STEEL

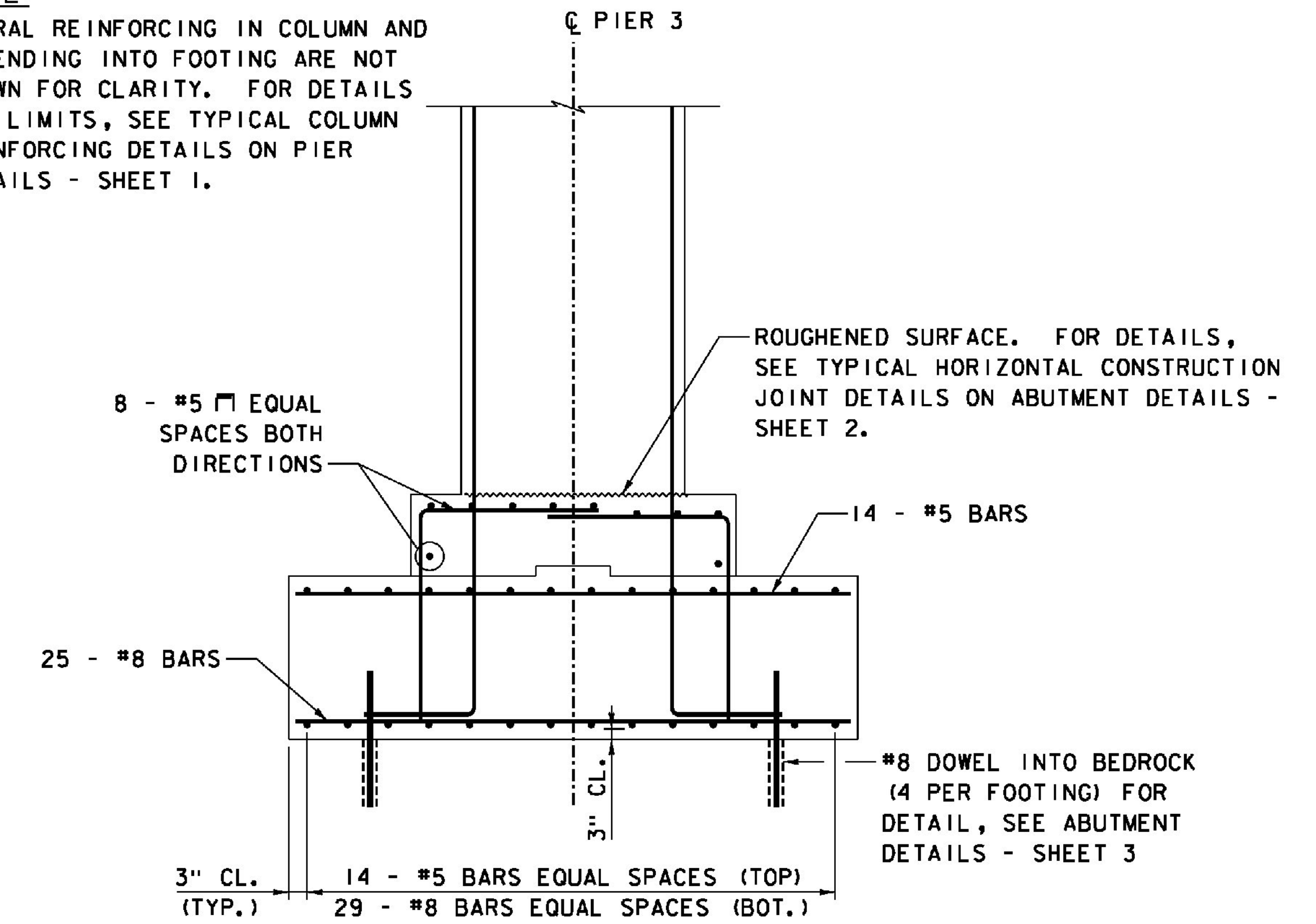


PIER 3 FOOTING REINFORCEMENT PLAN

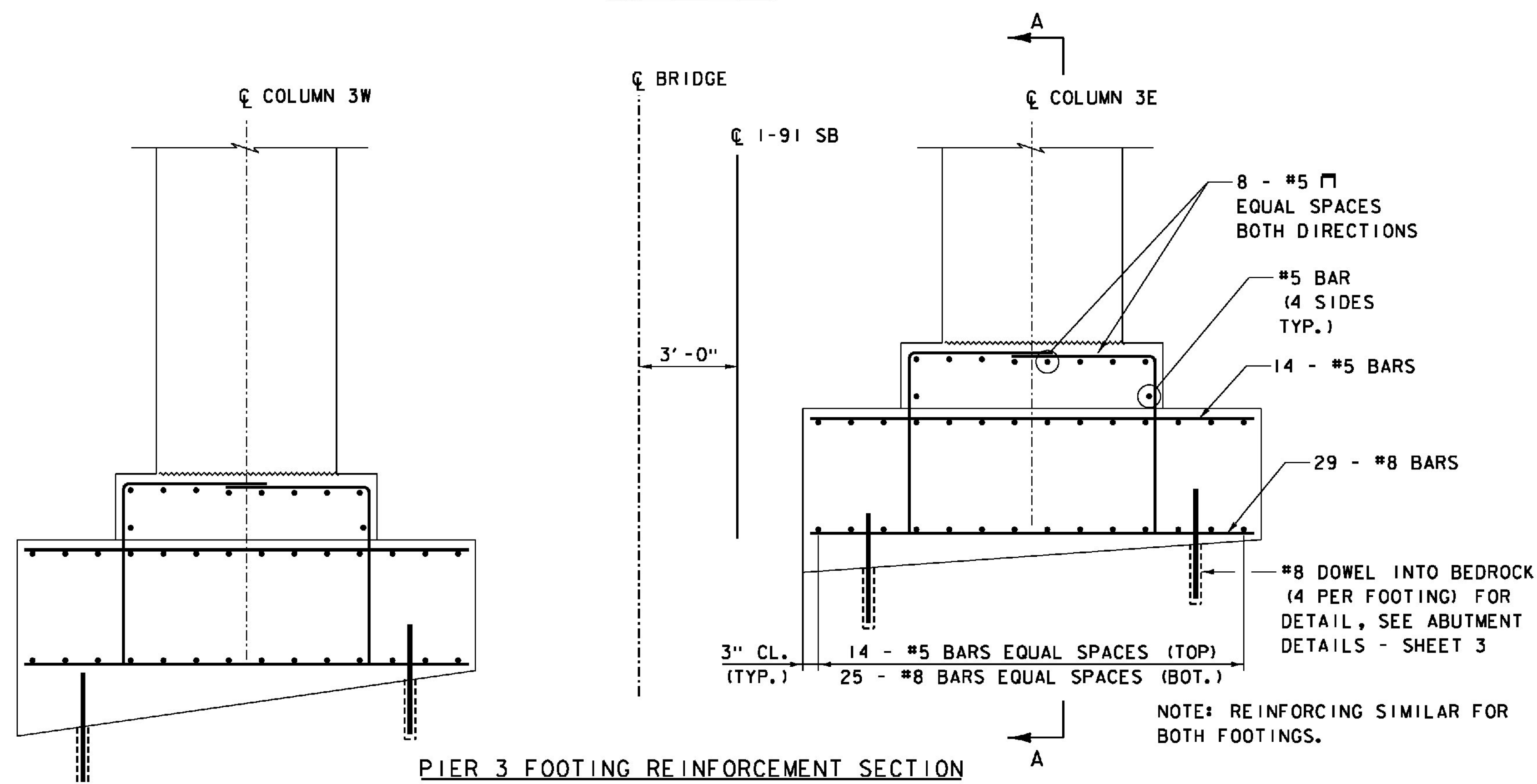
SCALE $\frac{3}{8}'' = 1'-0''$
 1 0 1 2 3 4

NOTE:
 REINFORCING SIMILAR FOR BOTH FOOTINGS.

NOTE:
 SPIRAL REINFORCING IN COLUMN AND EXTENDING INTO FOOTING ARE NOT SHOWN FOR CLARITY. FOR DETAILS AND LIMITS, SEE TYPICAL COLUMN REINFORCING DETAILS ON PIER DETAILS - SHEET 1.



SECTION A-A
 SCALE $\frac{3}{8}'' = 1'-0''$
 1 0 1 2 3 4



PIER 3 FOOTING REINFORCEMENT SECTION

SCALE $\frac{3}{8}'' = 1'-0''$
 1 0 1 2 3 4

NOTE: REINFORCING SIMILAR FOR BOTH FOOTINGS.

NOTES:

1. FOR ADDITIONAL COLUMN MASONRY AND REINFORCING DETAILS, SEE PIER DETAILS - SHEET 1.
2. FOR ADDITIONAL PIER CAP MASONRY AND REINFORCING DETAILS, SEE PIER DETAILS - SHEET 2.

PROJECT NAME: WINDSOR
 PROJECT NUMBER: IM 091-1(64)

FILE NAME: z10o188Pier3RES.dgn
 PROJECT LEADER: J. WILSON
 DESIGNED BY: S. BOYINGTON
 PIER 3 REINFORCEMENT

PLOT DATE: 7/30/2015
 DRAWN BY: S. GUNN
 CHECKED BY: S. HALLORAN
 SHEET 110 OF 156