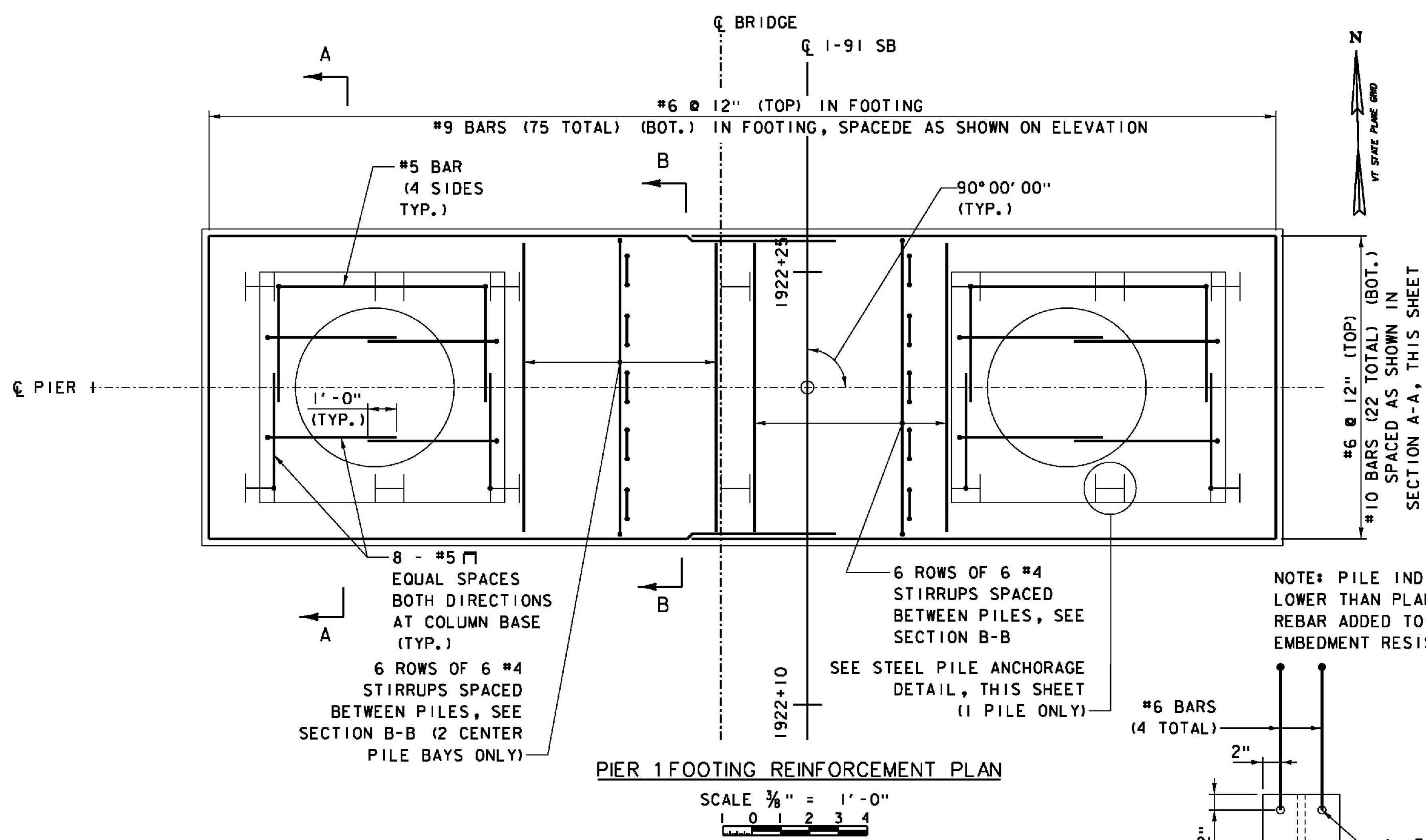
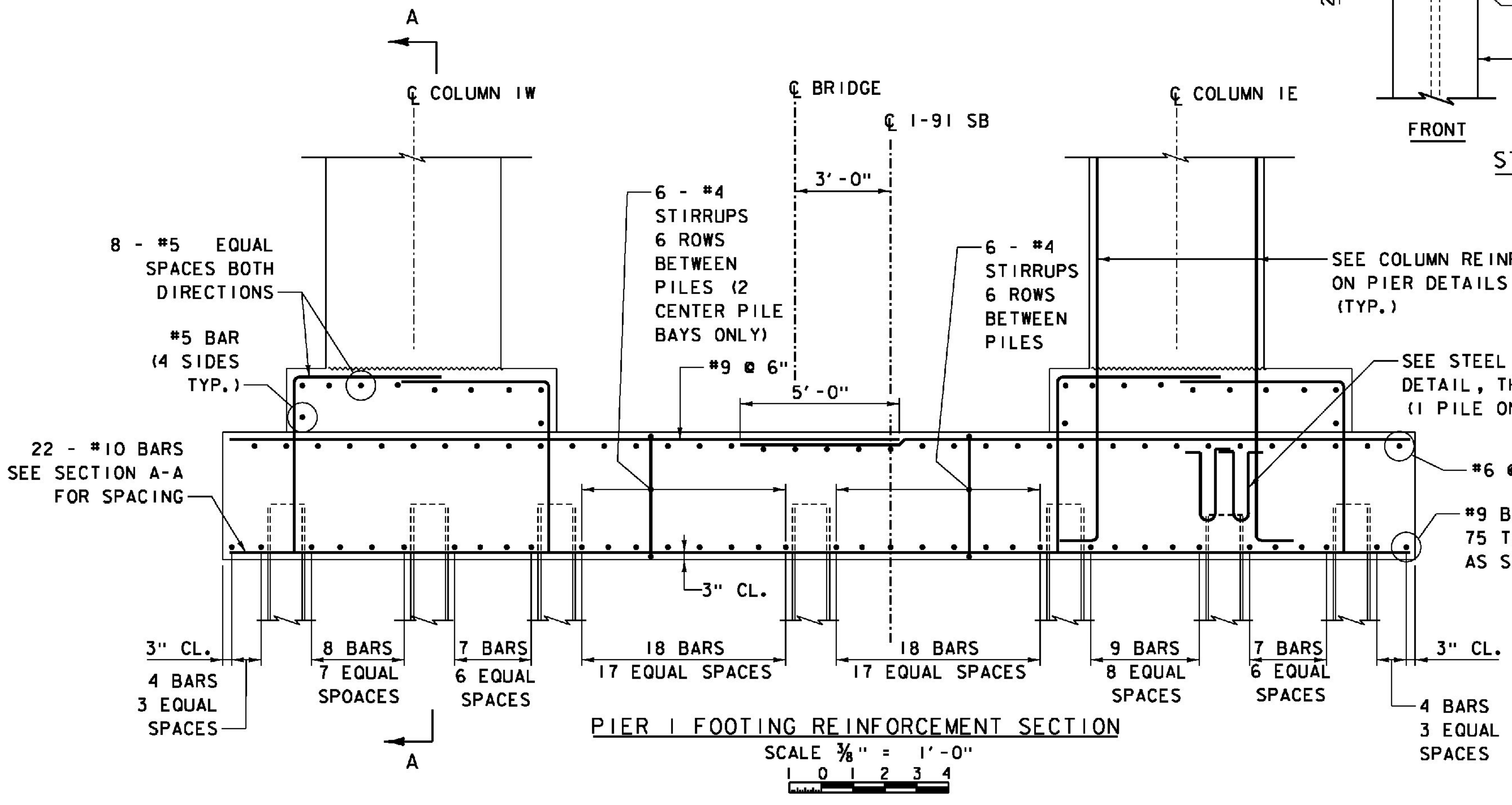
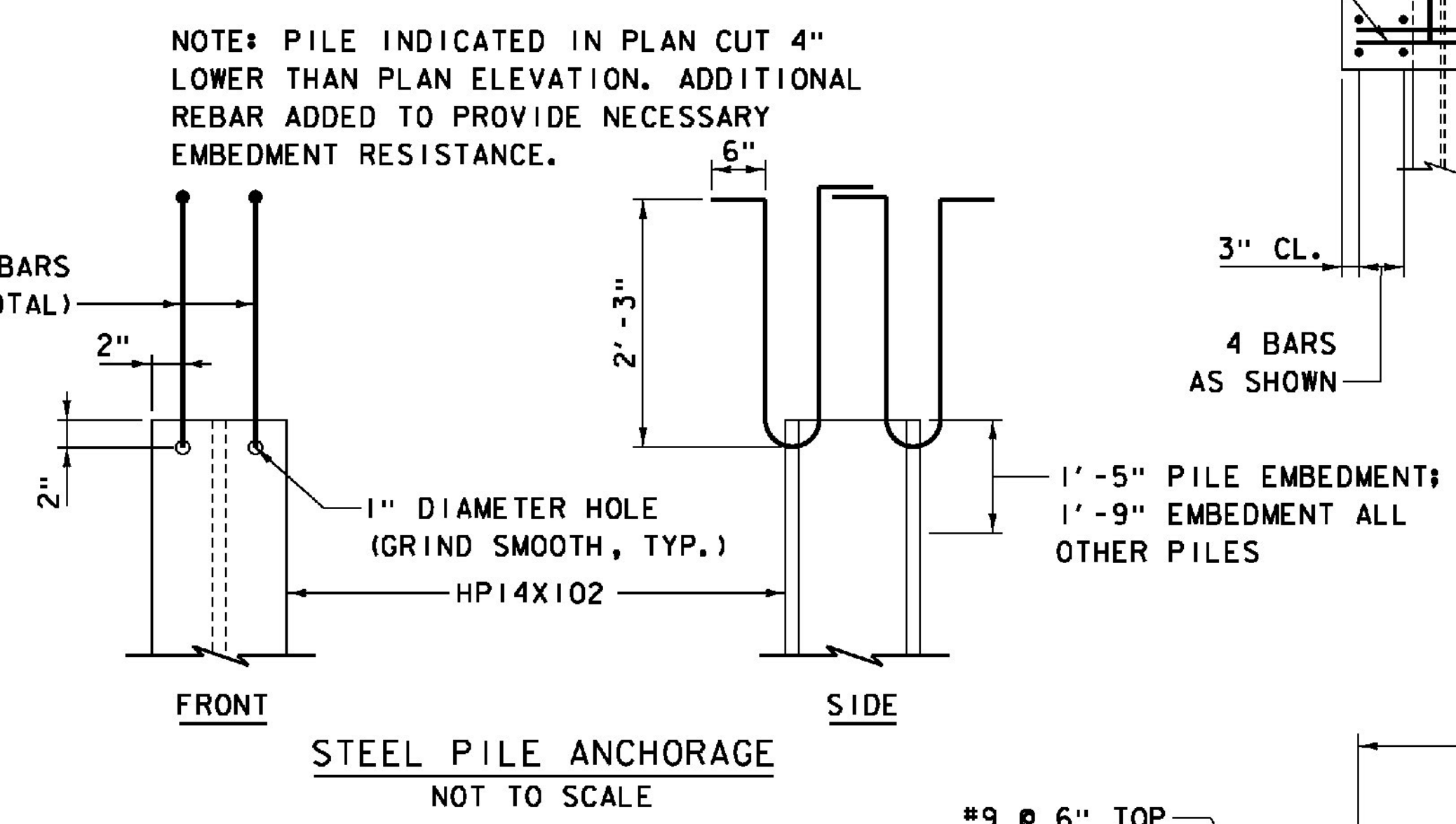
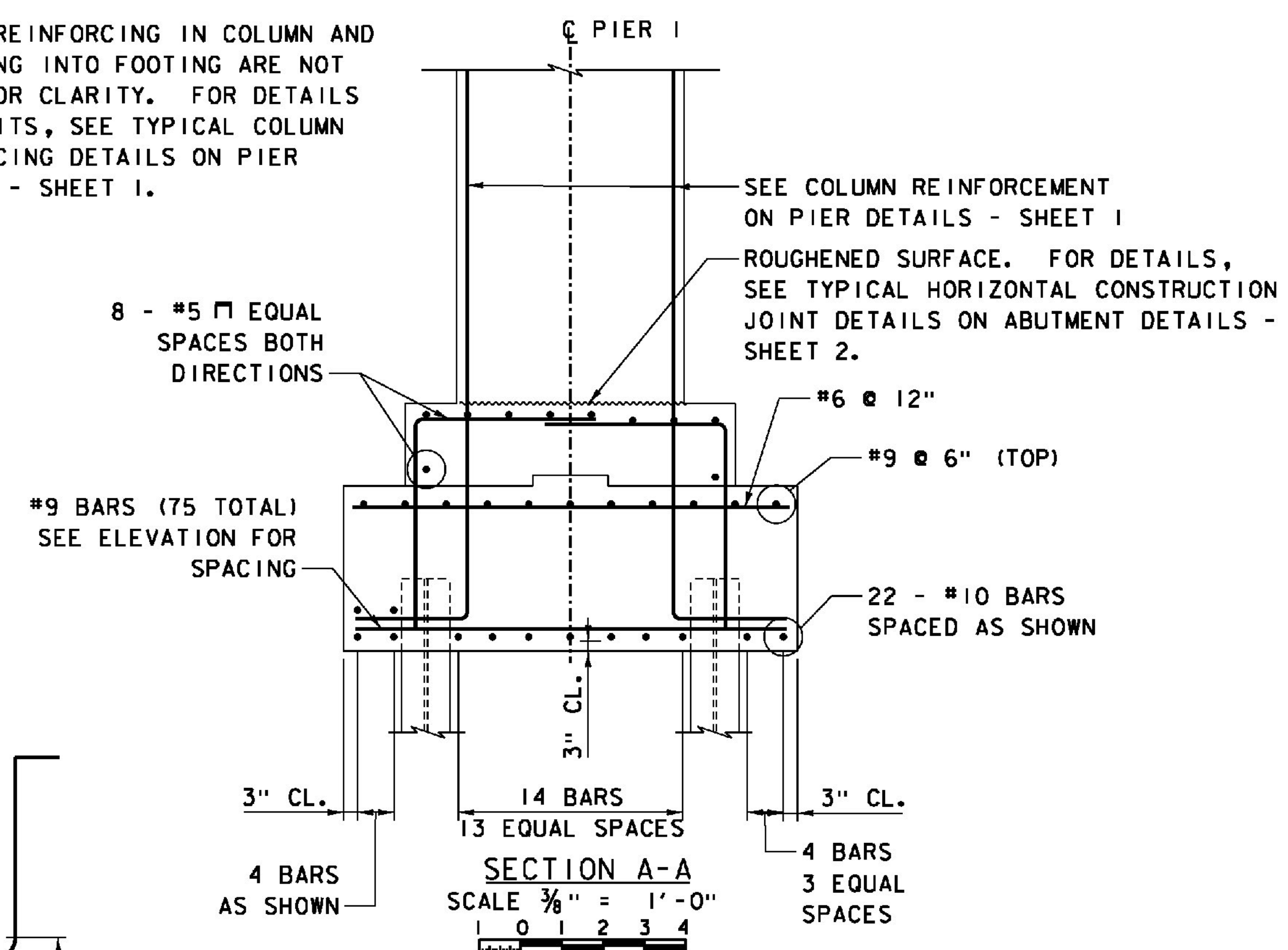


ITEMS USED ON THIS SHEET	
ITEM NO.	DESCRIPTION
501.34	CONCRETE, HIGH PERFORMANCE CLASS B
507.15	REINFORCING STEEL
507.17	EPOXY COATED REINFORCING STEEL



NOTE:
SPIRAL REINFORCING IN COLUMN AND EXTENDING INTO FOOTING ARE NOT SHOWN FOR CLARITY. FOR DETAILS AND LIMITS, SEE TYPICAL COLUMN REINFORCING DETAILS ON PIER DETAILS - SHEET 1.



- NOTES:**
- FOR ADDITIONAL COLUMN MASONRY AND REINFORCING DETAILS, SEE PIER DETAILS - SHEET 1.
 - FOR ADDITIONAL PIER CAP MASONRY AND REINFORCING DETAILS, SEE PIER DETAILS - SHEET 2.

PROJECT NAME: WINDSOR	PLOT DATE: 7/30/2015
PROJECT NUMBER: IM 091-1(64)	DRAWN BY: S. GUNN
FILE NAME: z10o188Pier1RES.dgn	CHECKED BY: S. HALLORAN
PROJECT LEADER: J. WILSON	SHEET 104 OF 156
DESIGNED BY: S. BOYINGTON	