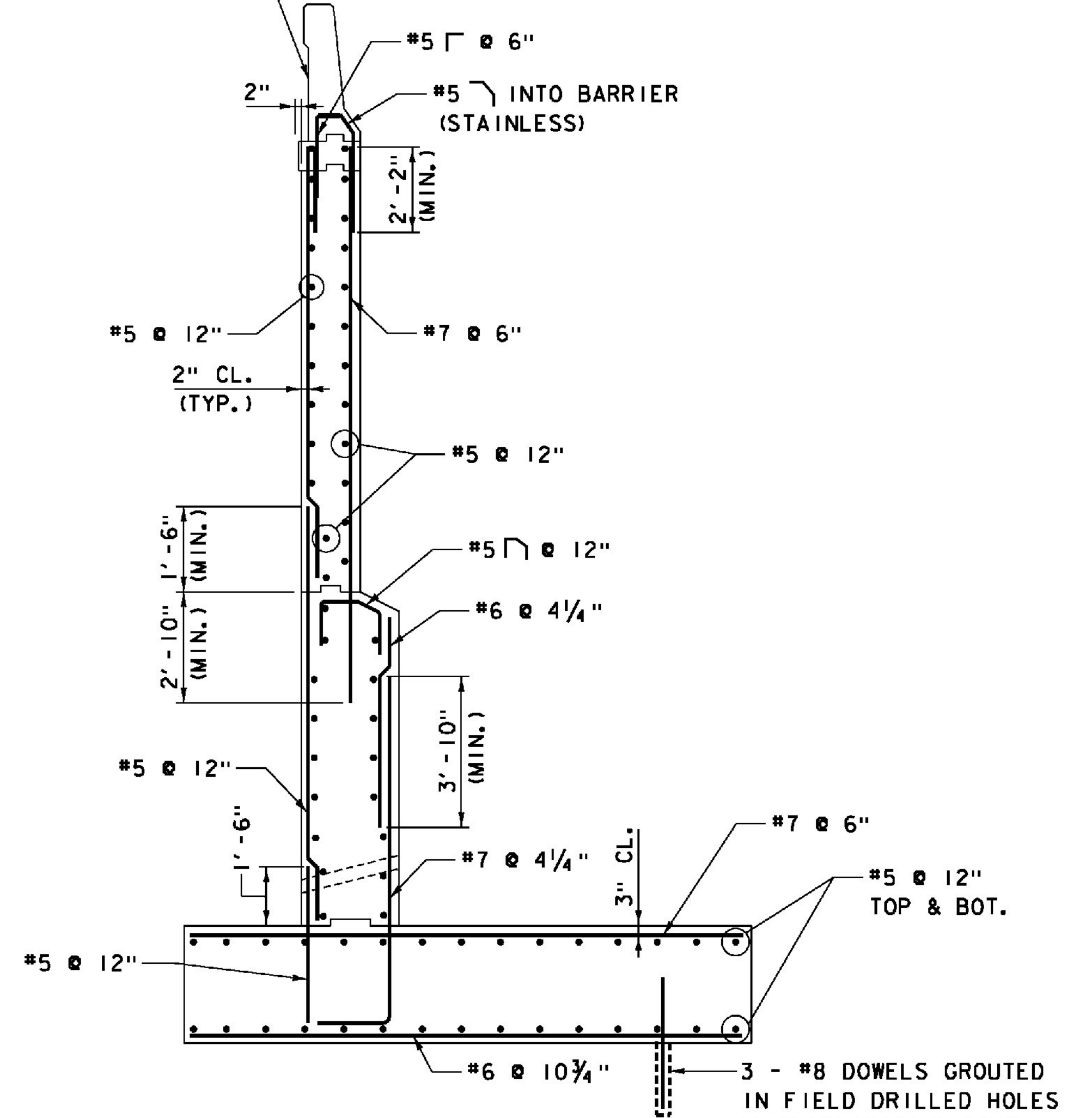


FOR REINFORCING DETAILS OF BARRIER SEE ABUTMENT DETAILS - SHEET 2

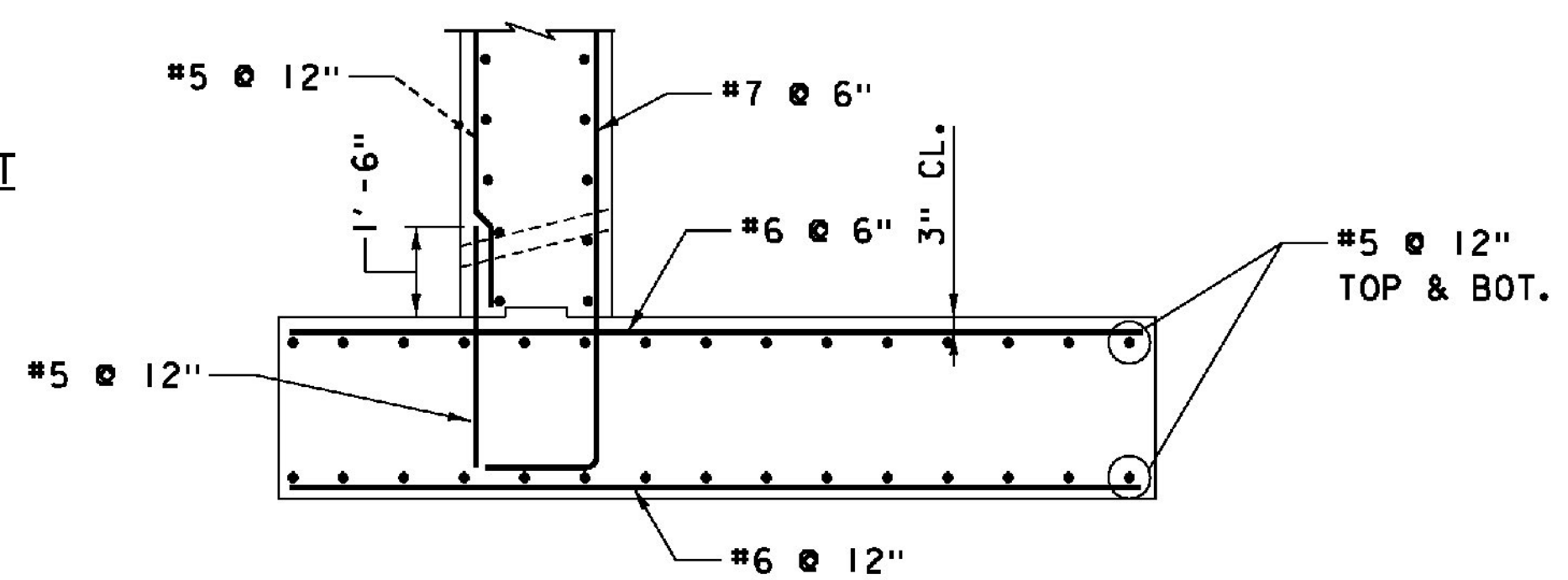


WINGWALL 4 - SECTION 1 REINFORCEMENT

SCALE 3/8" = 1'-0"

NOTES:

1. REINFORCEMENT ABOVE FOOTINGS SHALL BE EPOXY COATED; FOOTING REBAR SHALL BE UNCOATED; REINFORCEMENT IN AND INTO F-SHAPE BARRIER SHALL BE SOLID STAINLESS.
2. FOR F-SHAPE BARRIER REINFORCING DETAILS, SEE ABUTMENT DETAILS - SHEET 2.
3. FOR SECTION B-B & SECTION C-C PILASTER REINFORCING DETAILS, SEE ABUTMENT DETAILS - SHEET 3.
4. FOR SECTION D-D AND SECTION E-E, SEE ABUTMENT 1 WINGWALL REINFORCEMENT SHEET.



WINGWALL 4 - SECTION 2 REINFORCEMENT

SCALE 3/8" = 1'-0"

LEGEND  
 NF = NEAR FACE  
 FF = FAR FACE  
 EF = EACH FACE

ITEMS USED ON THIS SHEET	
ITEM NO.	DESCRIPTION
501.33	CONCRETE, HIGH PERFORMANCE CLASS A
501.34	CONCRETE, HIGH PERFORMANCE CLASS B
507.15	REINFORCING STEEL
507.17	EPOXY COATED REINFORCING STEEL
900.635	STAINLESS STEEL REINFORCING
900.640	BRIDGE RAILING, F-SHAPE CONCRETE

PROJECT NAME: WINDSOR  
 PROJECT NUMBER: IM 091-1(64)

FILE NAME: z10a188Abut2RW2.dgn  
 PROJECT LEADER: J. WILSON  
 DESIGNED BY: S. BOYINGTON  
 ABUT. 2 WINGWALL REINFORCEMENT - 2

PLOT DATE: 7/30/2015  
 DRAWN BY: S. GUNN  
 CHECKED BY: S. HALLORAN  
 SHEET 101 OF 156