

SIDE ELEVATION

SCALE 3" = 1'-0"

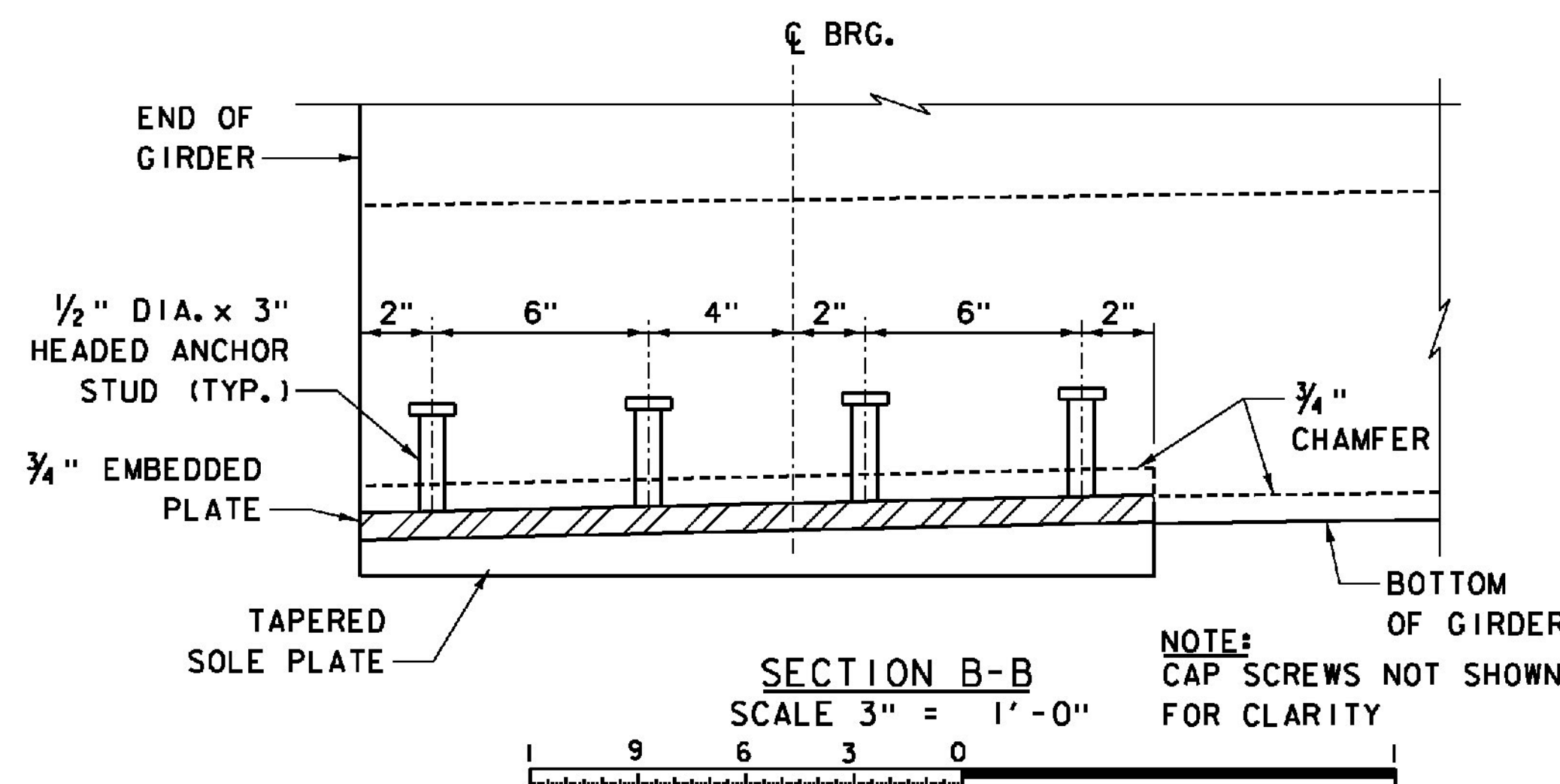
BEARING FOR GIRDERS AT ABUTMENTS 1 AND 3 IS SHOWN. BEARING FOR GIRDERS AT ABUTMENTS 2 AND 4 IS OPPOSITE HAND WITH TAPERED PLATE ORIENTED AS SHOWN.

TAPERED SOLE PLATE DIMENSIONS

ABUTMENT NO.	T <sub>1</sub>	T <sub>2</sub>
1	1"	1 3/8"
2	1"	1 3/8"
3	1"	1 3/8"
4	1"	1 3/8"

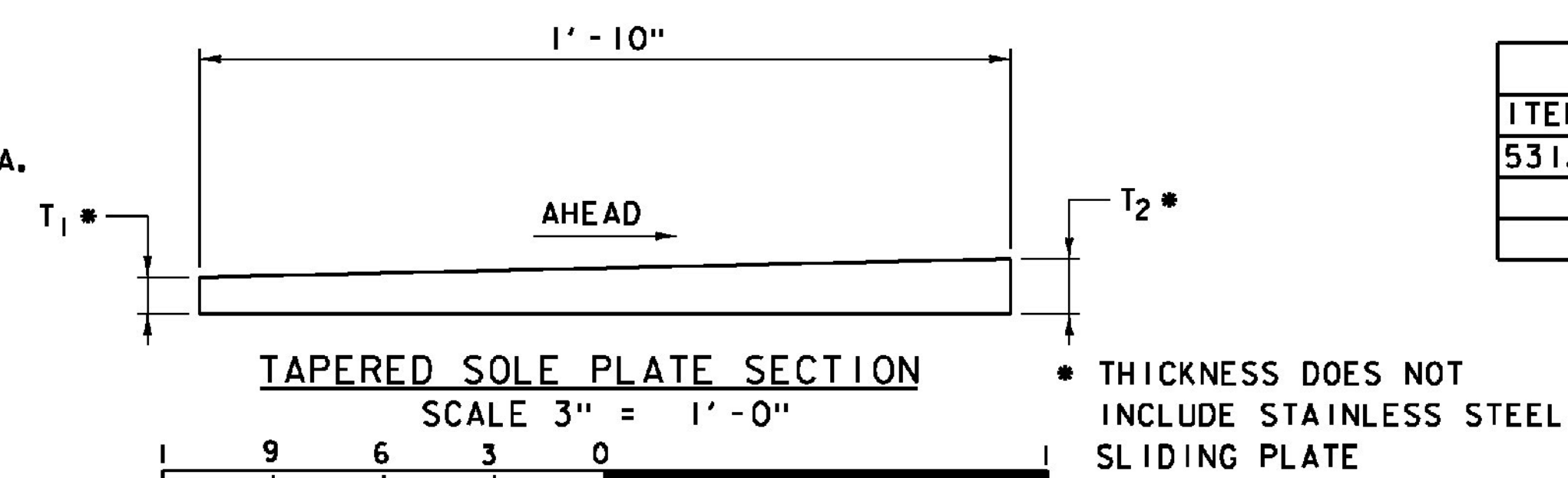
NOTES:

- FOR BEARING NOTES, SEE BRIDGE BEARING DETAILS - PIERS SHEET.
- FOR GIRDER DETAILS, SEE GIRDER DETAILS SHEETS.
- EMBEDDED PLATE AND TAPERED SOLE PLATE SHALL BE DRILLED AS AN ASSEMBLED UNIT. HOLES IN TAPERED SOLE PLATE AND THREADS TAPPED IN EMBEDDED PLATE MAY BE ALIGNED PERPENDICULAR TO THE BOTTOM OF SOLE PLATE OR EMBEDDED PLATE. DRILLING SHALL BE COMPLETED PRIOR TO HOT-DIP GALVANIZING OF PLATES.
- GALVANIZED SURFACES DAMAGED DURING CONSTRUCTION SHALL BE REPAIRED IN CONFORMANCE WITH THE REQUIREMENTS OF ASTM A780.



SECTION B-B

SCALE 3" = 1'-0"



TAPERED SOLE PLATE SECTION

SCALE 3" = 1'-0"

\* THICKNESS DOES NOT INCLUDE STAINLESS STEEL SLIDING PLATE

ITEMS USED ON THIS SHEET	
ITEM NO.	DESCRIPTION
531.11	BEARING DEVICE ASSEMBLY, ELASTOMERIC PAD

PROJECT NAME: WINDSOR  
PROJECT NUMBER: IM 091-1(64)

FILE NAME: z10o188BRG A.dgn  
PROJECT LEADER: J. WILSON  
DESIGNED BY: R. PEIN  
BRIDGE BEARING DETAILS - ABUTMENTS

PLOT DATE: 7/30/2015  
DRAWN BY: N. GARCIA III  
CHECKED BY: S. HALLORAN  
SHEET 78 OF 156