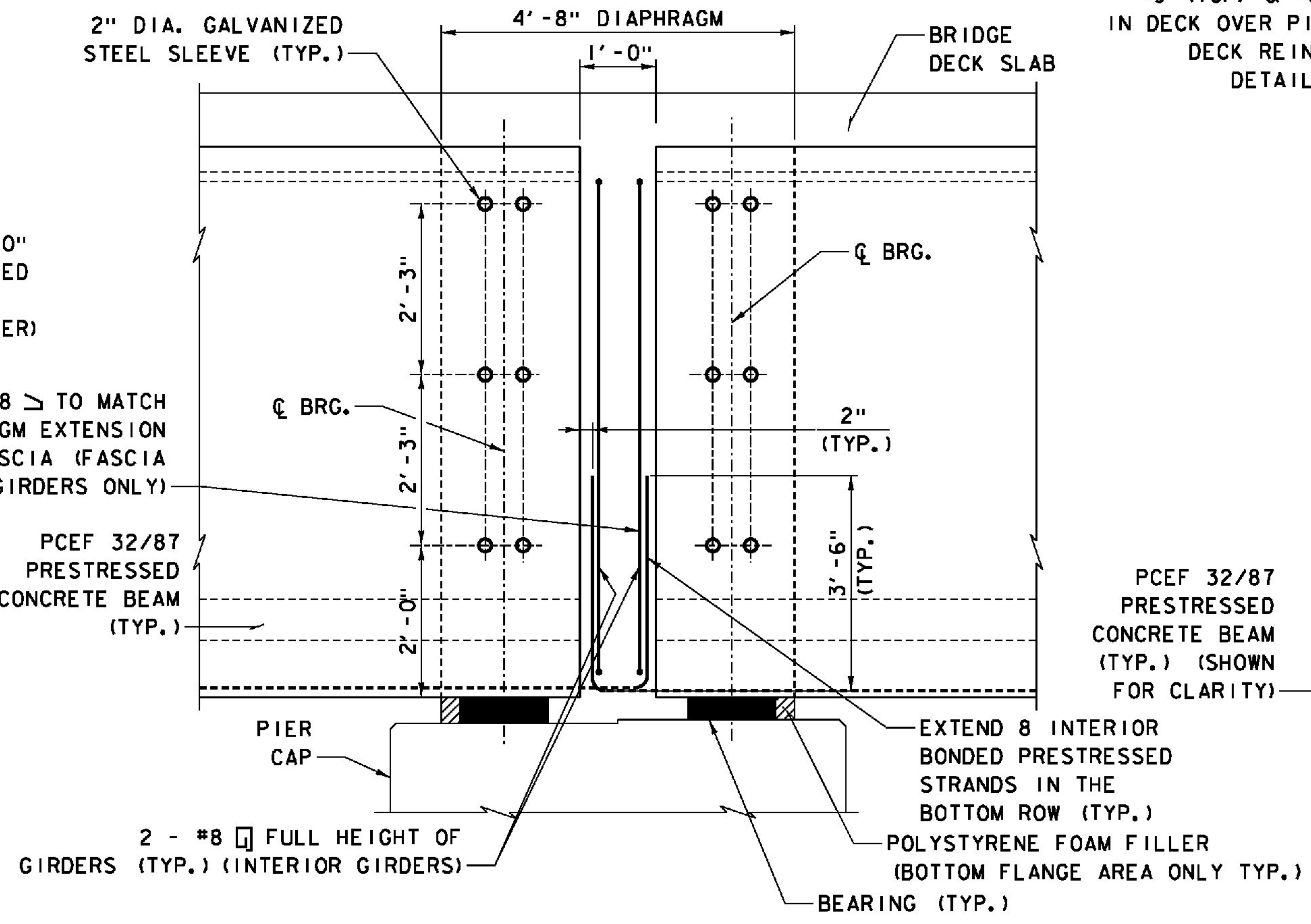
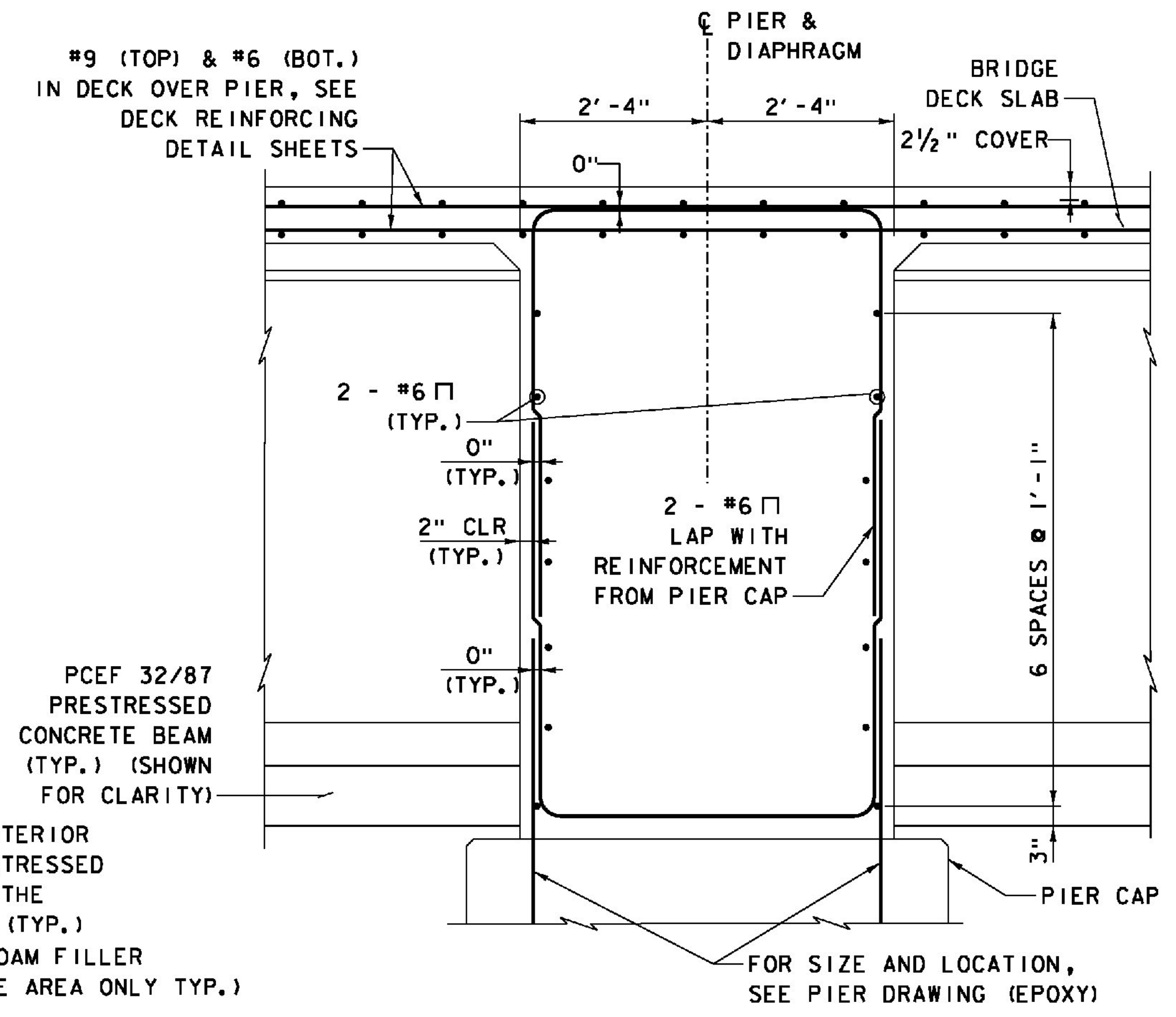


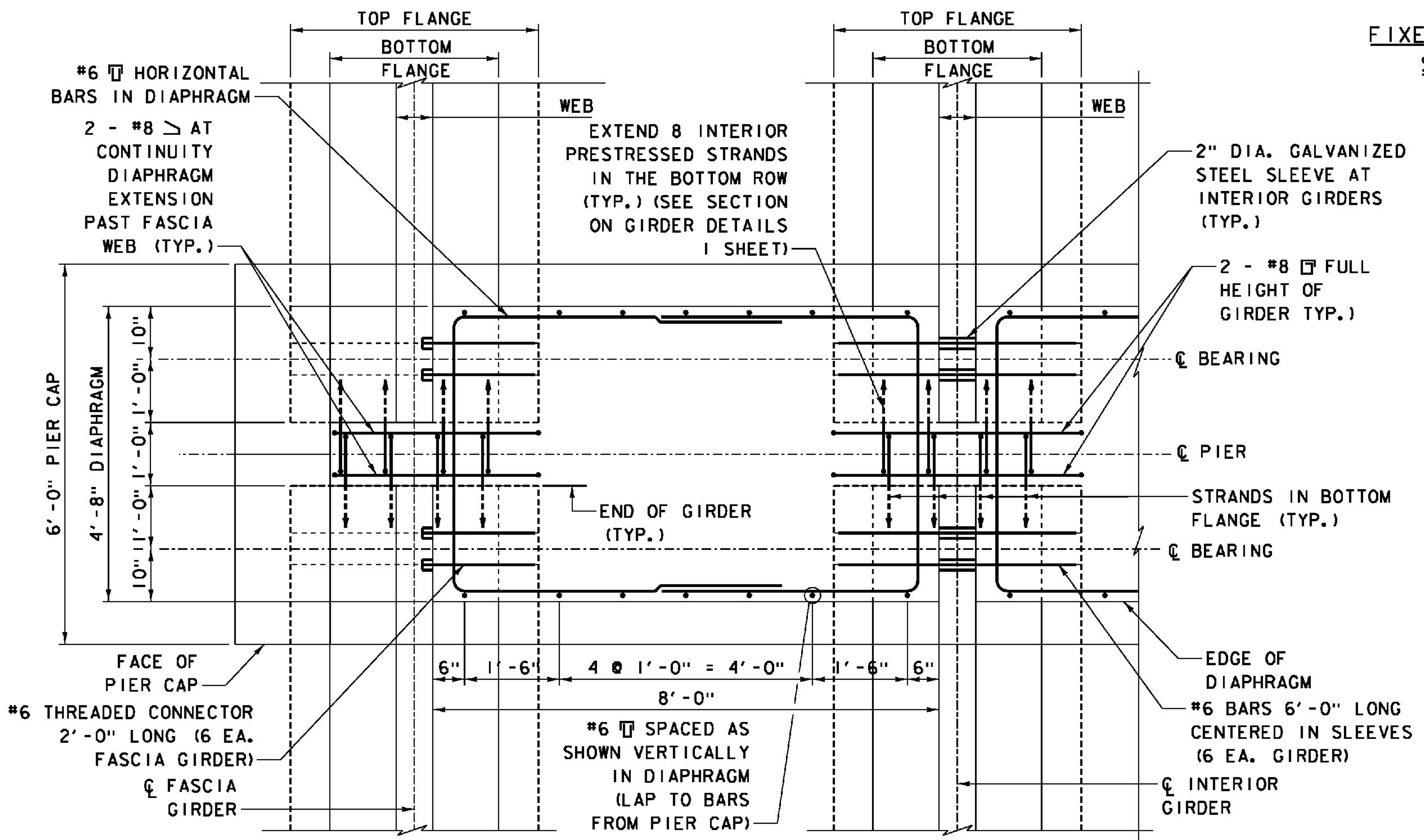
**END DIAPHRAGM ELEVATION - FIXED PIERS**  
SCALE 1/2" = 1'-0"



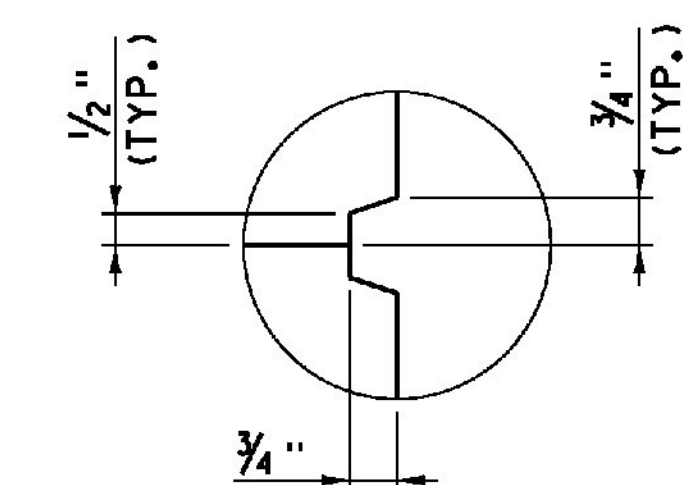
**FIXED PIERS END DIAPHRAGM SECTION AT GIRDERS**  
SCALE 3/4" = 1'-0"



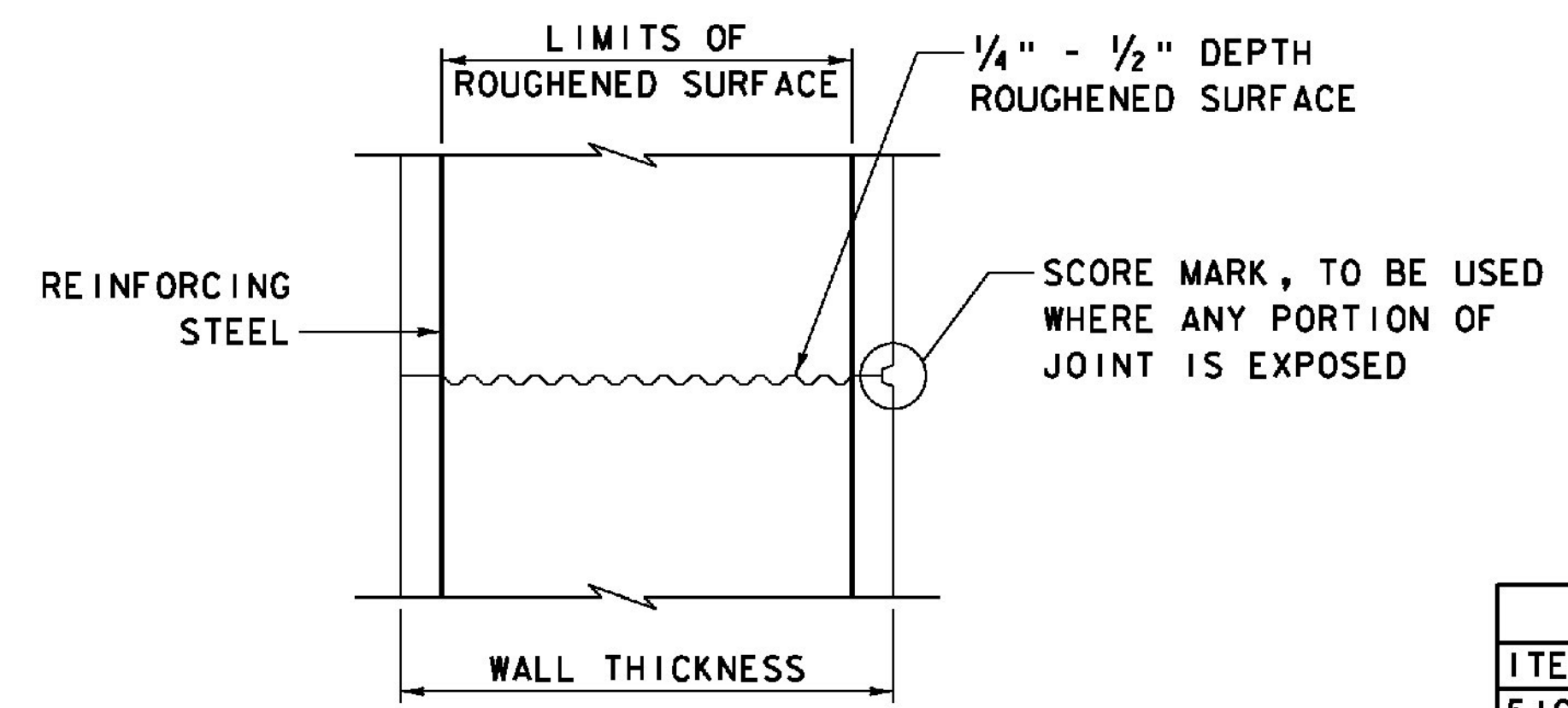
**FIXED PIERS END DIAPHRAGM SECTION BETWEEN GIRDERS**  
SCALE 3/4" = 1'-0"



**FIXED PIERS END DIAPHRAGM HORIZONTAL SECTION LOOKING DOWN**  
SCALE 3/4" = 1'-0"



**SCORE MARK DETAIL**  
NOT TO SCALE



**TYPICAL HORIZONTAL CONSTRUCTION JOINT**  
NOT TO SCALE

**NOTES:**

1. CONCRETE FOR END DIAPHRAGMS SHALL BE HPC, CLASS A, LOW CEMENT.
2. ALL FIXED PIER DIAPHRAGM REINFORCEMENT SHALL BE SOLID STAINLESS STEEL CONFORMING TO ASTM A995M, GRADE 420.
3. DIAPHRAGM DIMENSIONS AND REINFORCING ARE SHOWN IN ONE EXTERIOR GIRDER BAY. ALL INTERIOR GIRDER BAYS ARE SIMILAR.
4. FOR GIRDER BEARINGS, SEE BRIDGE BEARING DETAILS - PIER SHEET.

ITEMS USED ON THIS SHEET	
ITEM NO.	DESCRIPTION
510.23	PRESTRESSED CONCRETE GIRDERS
900.608	HIGH PERFORMANCE CONCRETE, CLASS A, LOW CEMENT
900.635	STAINLESS STEEL REINFORCING

PROJECT NAME:	WINDSOR	PLOT DATE:	7/30/2015
PROJECT NUMBER:	IM 091-1(64)	DRAWN BY:	S. GUNN
FILE NAME:	s10o188GirdD15.dgn	DESIGNED BY:	S. BOYINGTON
PROJECT LEADER:	J. WILSON	CHECKED BY:	S. HALLORAN
GIRDER DETAILS 5		SHEET 70	OF 156

1. THE SURFACE OF THE CONCRETE CONSTRUCTION JOINTS SHALL BE CLEANED AND FREE OF LAITANCE.
2. IMMEDIATELY BEFORE NEW CONCRETE IS PLACED, ALL CONSTRUCTION JOINTS SHALL BE WETTED AND STANDING WATER REMOVED.