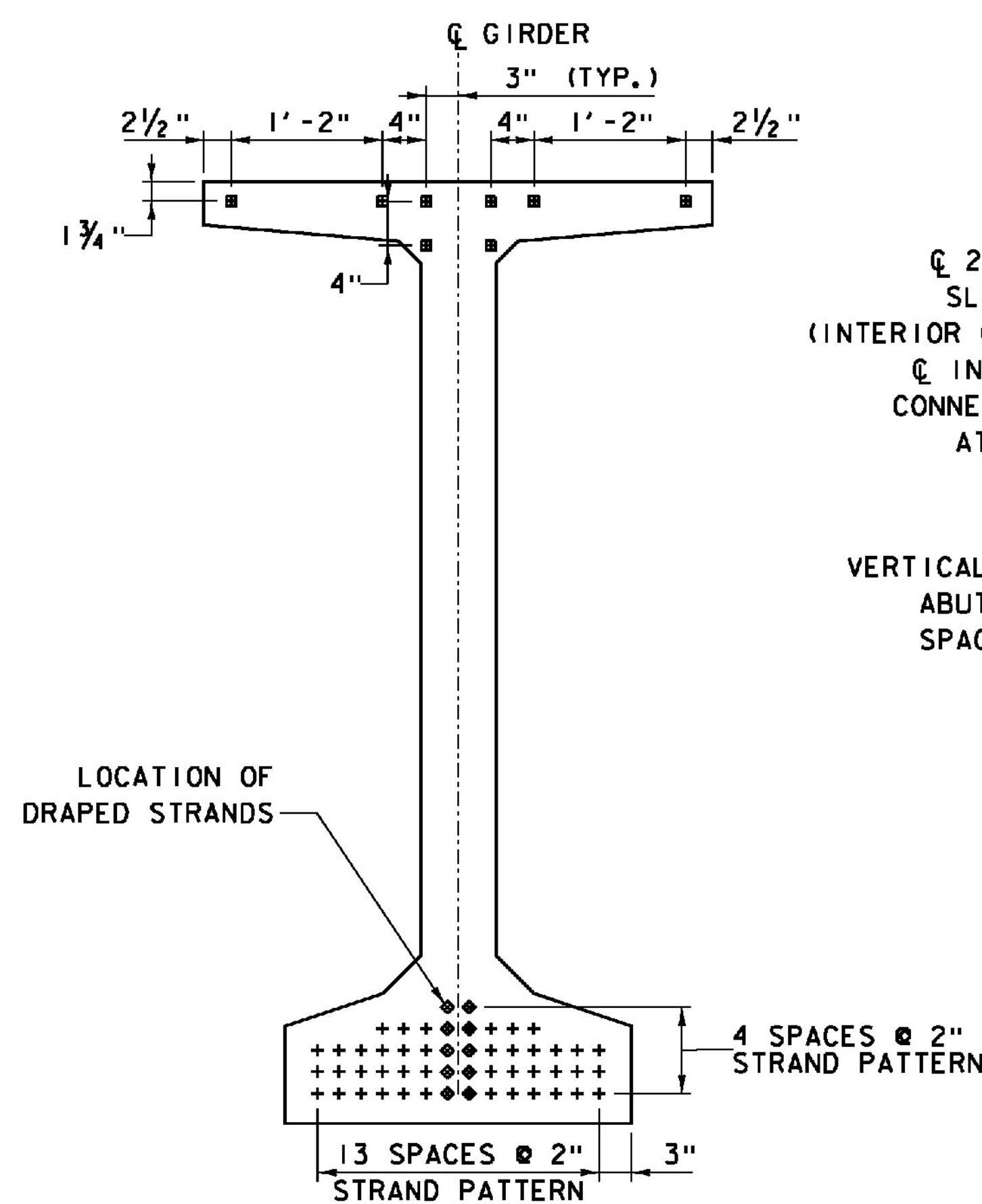


TYPICAL SECTION @ BEARINGS
USING DRAPED STRANDS

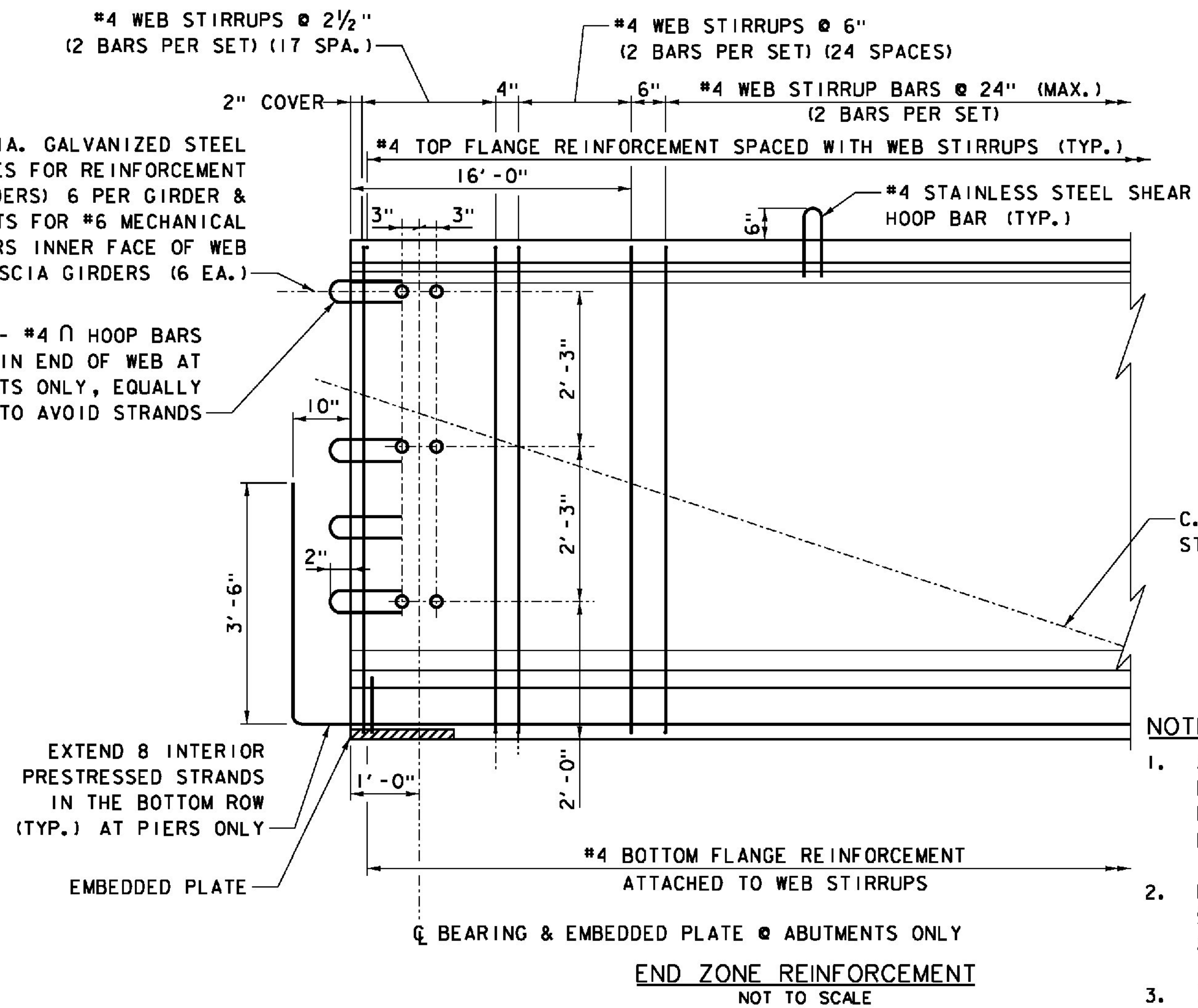
SCALE 1" = 1'-0"
1 9 6 3 0 2



TYPICAL SECTION @ MIDSPAN
USING DRAPED STRANDS

SCALE 1" = 1'-0"
1 9 6 3 0 2

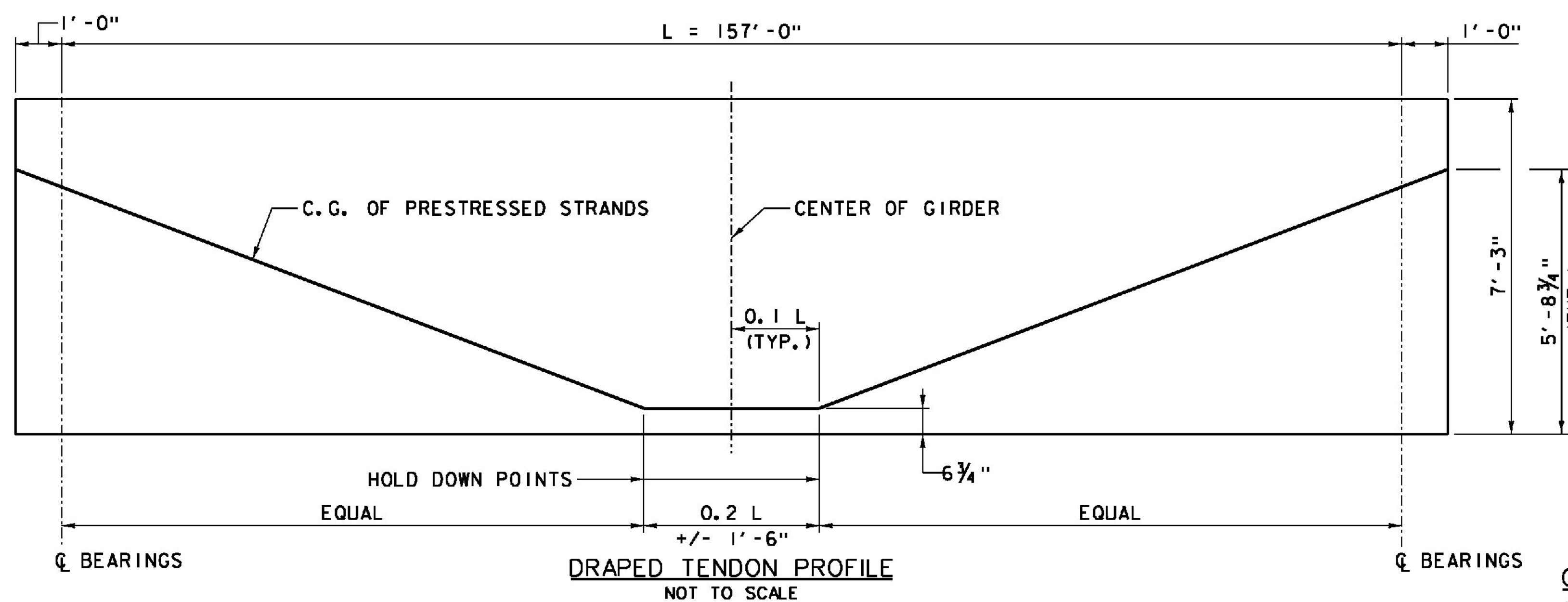
- + DENOTES STRAIGHT STRANDS
- ◆ DENOTES DRAPED STRANDS
- DENOTES STRANDS TENSIONED TO 2.2 KIPS



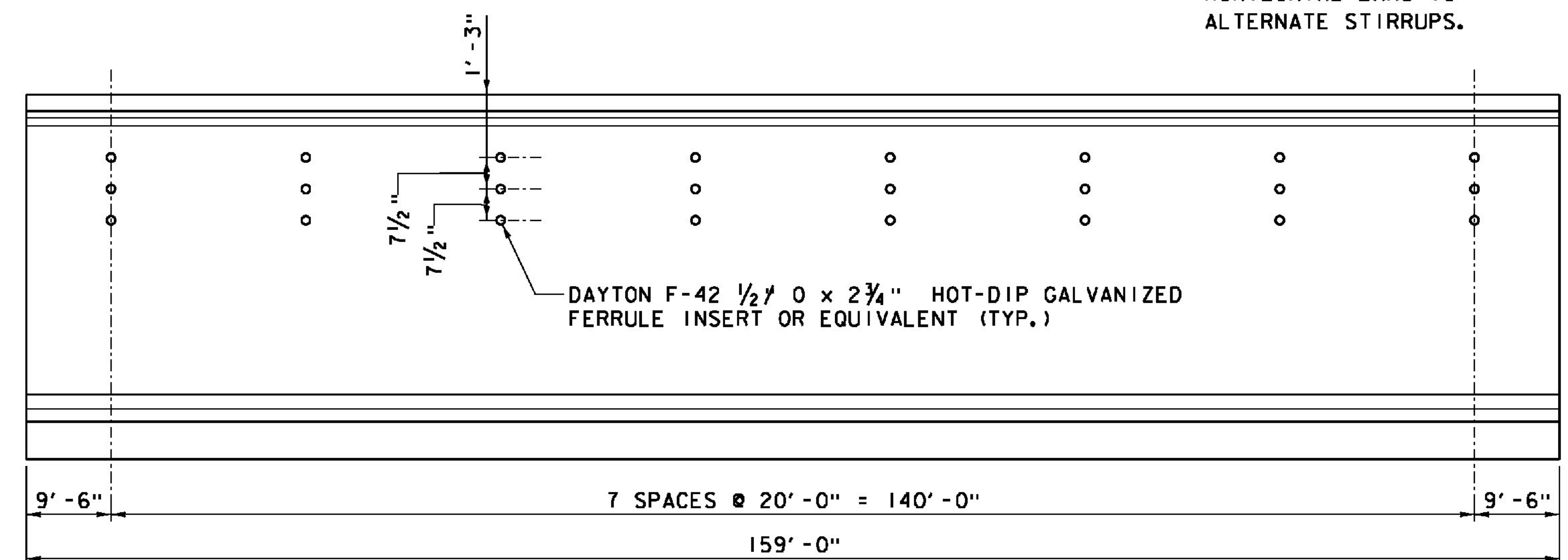
END ZONE REINFORCEMENT
NOT TO SCALE

NOTES:

1. ALL STAINLESS STEEL SHEAR BARS NOT SHOWN FOR CLARITY. FOR LAYOUT, SEE GIRDER DETAILS 1 SHEET.
2. FOR EMBEDDED PLATE DETAIL, SEE BRIDGE BEARING DETAILS - ABUTMENT SHEET.
3. IN THE ZONE WHERE STIRRUPS ARE SPACED AT 6" OR LESS ATTACH THE TOP FLANGE HORIZONTAL BARS TO ALTERNATE STIRRUPS.



DRAPED TENDON PROFILE
NOT TO SCALE



CONDUIT ASSEMBLY INSERT NOTES:

1. FOR CONDUIT ATTACHMENT ASSEMBLY DETAIL, SEE BARRIER AND CONDUIT DETAIL SHEET.
2. INSTALL INSERTS ON EXTERIOR FACE OF GIRDERS G5-1 THRU G5-4 ONLY.
3. ALL STEEL INSERTS SHALL BE HOT-DIP GALVANIZED CONFORMANCE WITH AASHTO M232 (ASTM A153)

CONDUIT ASSEMBLY INSERT DETAIL
NOT TO SCALE

PROJECT NAME: WINDSOR
PROJECT NUMBER: IM 091-1(64)

FILE NAME: z10o188GirdD12.dgn
PROJECT LEADER: J. WILSON
DESIGNED BY: R. PEIN
GIRDER DETAILS 2

PLOT DATE: 7/30/2015
DRAWN BY: N. GARCIA III
CHECKED BY: G. WALKER
SHEET 67 OF 156