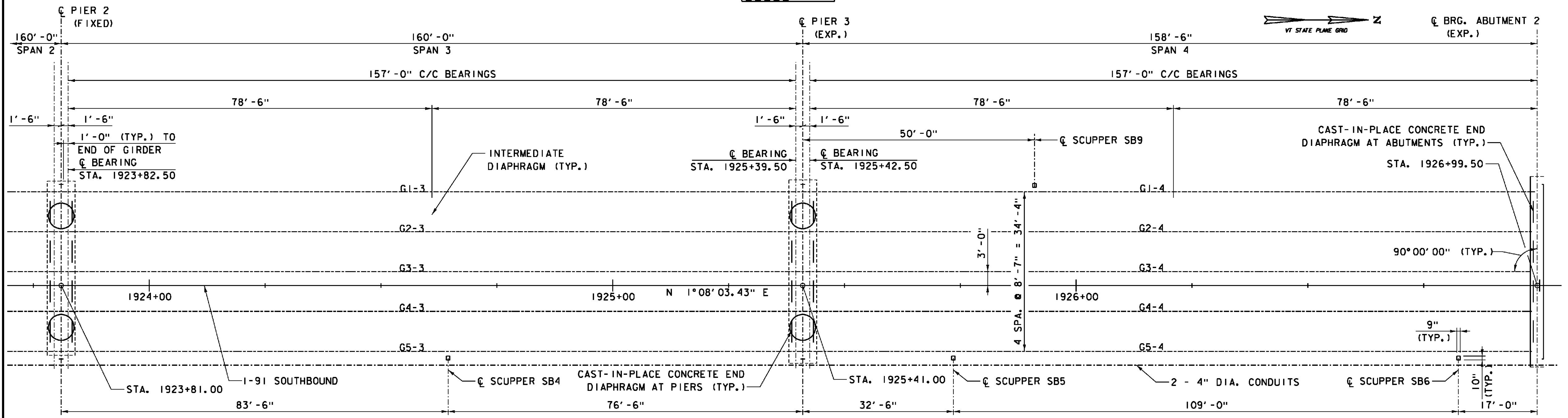


PARTIAL FRAMING PLAN - BRIDGE 33S

SCALE 1" = 10'-0"  
 10 0 10



PARTIAL FRAMING PLAN - BRIDGE 33S

SCALE 1" = 10'-0"  
 10 0 10

- NOTES:
1. FOR CONDUIT ATTACHMENT ASSEMBLY DETAIL, SEE BARRIER AND CONDUIT DETAILS SHEET.
  2. SBI DENOTES SCUPPER LOCATION.
  3. FOR SCUPPER DETAILS, SEE BRIDGE DRAINAGE SHEETS.
  4. FOR DETAILS OF GIRDER FLANGE BLOCKOUT FOR SCUPPER DOWNSPOUT, SEE GIRDER DETAILS 6 SHEET.

PROJECT NAME: WINDSOR	FILE NAME: z10a188BFR.dgn	PLOT DATE: 7/30/2015
PROJECT NUMBER: IM 091-1(64)	PROJECT LEADER: J. WILSON	DRAWN BY: N. GARCIA III
	DESIGNED BY: R. PEIN	CHECKED BY: G. WALKER
	FRAMING PLAN - BRIDGE 33S	SHEET 64 OF 156