

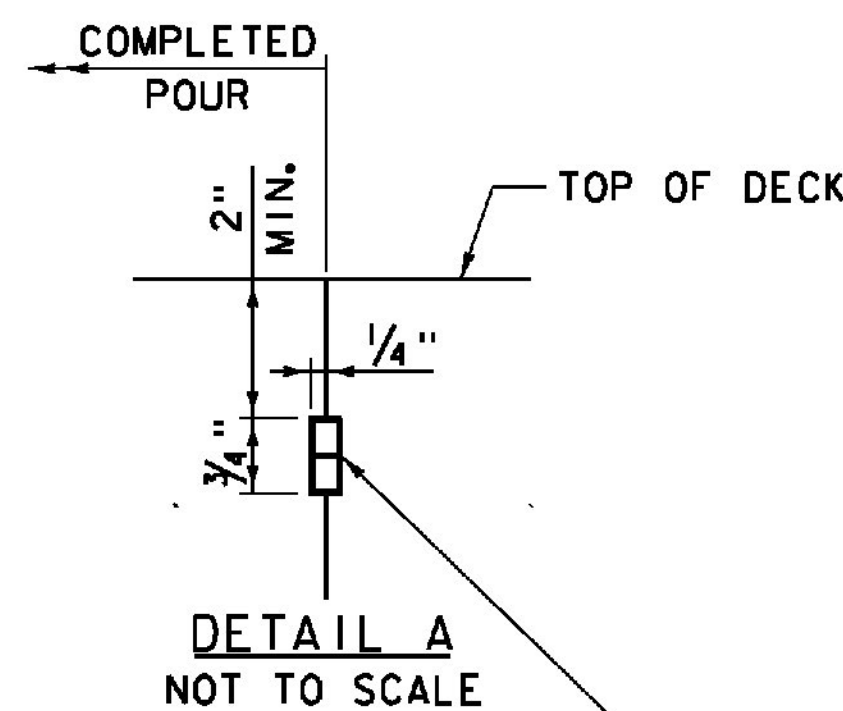
DECK PLACEMENT SEQUENCE

SCALE 1" = 60'-0"
0 60

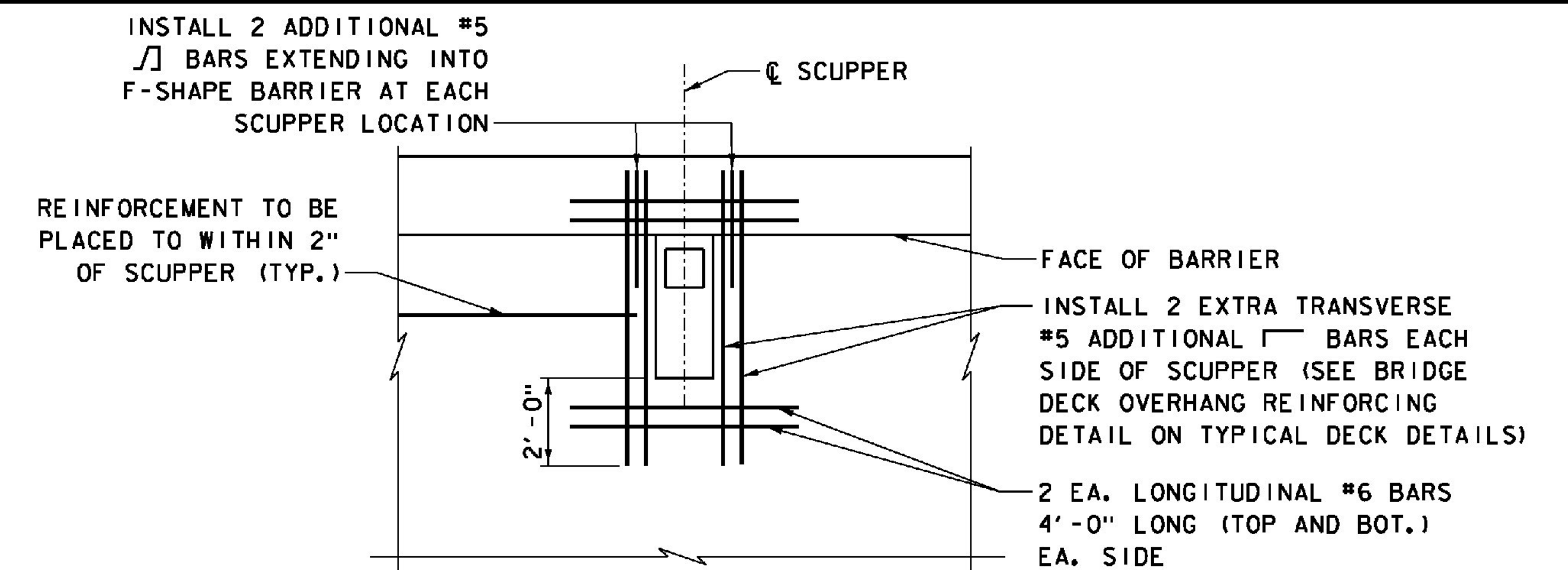
Ⓝ DENOTES CONCRETE PLACEMENT SEQUENCE

DECK PLACEMENT NOTES:

1. CONCRETE PLACEMENT AND FINISHING OPERATIONS FOR A SPECIFIC AREA SHALL BE PERFORMED AND COMPLETED IN A MANNER THAT WILL ELIMINATE THE POSSIBILITY OF SETTING OF ANY OF THE CONCRETE PLACED PRIOR TO COMPLETION OF WORK IN THAT AREA. CONCRETE PLACEMENT OPERATIONS SHALL PROVIDE FOR ADEQUATE LABOR, EQUIPMENT AND MATERIAL SUPPLY TO COMPLETE PLACEMENT OF CONCRETE IN A SPECIFIED DECK PLACEMENT AREA WITHIN AN EIGHT HOUR PERIOD.
2. LONGITUDINAL CONSTRUCTION JOINTS WILL NOT BE PERMITTED.
3. A PRE-PLACEMENT CONFERENCE WILL BE MANDATORY AND SCHEDULED A MINIMUM OF TWO WEEKS PRIOR TO THE FIRST PLACEMENT.
4. CONCRETE PLACEMENT NUMBERS 1 & 2 MAY BE PLACED DURING THE SAME DAY OR IN OPPOSITE ORDER. DECK PLACEMENTS 1 & 2 SHALL RECEIVE A MINIMUM OF 72 HOURS OF ACCEPTABLE CURING PRIOR TO PLACEMENT OF CONCRETE IN DECK AREA 3. CONCRETE PLACEMENT NUMBERS 4 & 5 MAY BE PLACED DURING THE SAME DAY OR IN OPPOSITE ORDER. DECK PLACEMENTS 4 & 5 SHALL RECEIVE A MINIMUM OF 72 HOURS OF ACCEPTABLE CURING PRIOR TO PLACEMENT IN DECK AREA 6. DECK PLACEMENTS 1 THROUGH 6 SHALL RECEIVE A MINIMUM OF 72 HOURS OF ACCEPTABLE CURING PRIOR TO PLACEMENT OF CONCRETE IN DECK AREA 7.
5. DIAPHRAGMS AT PIERS 1 & 6 SHALL BE PLACED AFTER POUR 5; DIAPHRAGMS AT PIERS 3 & 4 SHALL BE PLACED AFTER POUR 2. DECK POURS 3 & 6 CANNOT BE POURED UNTIL THE PIER 1, 3, 4 & 6 DIAPHRAGMS HAVE ATTAINED 85% STRENGTH AND ADJACENT DECK POURS HAVE RECEIVED A MINIMUM OF 72 HOURS OF ACCEPTABLE CURING. DIAPHRAGMS AT PIERS 2 & 5 MUST BE PLACED WITH DECK POUR 7. ABUTMENT DIAPHRAGMS SHALL BE PLACED PRIOR TO DECK POURS 1 & 4 AND ACHIEVE 85% DESIGN STRENGTH PRIOR TO THE DECK POUR.
6. ALL PRESTRESSED CONCRETE BRIDGE GIRDERS SHALL HAVE A MINIMUM AGE OF 60 DAYS AT THE TIME OF CONCRETE DECK PLACEMENT.
7. AN EPOXY BONDING COMPOUND SUITABLE FOR BONDING FRESH CONCRETE TO HARDENED CONCRETE FOR LOAD BEARING APPLICATIONS SHALL BE USED. THE EPOXY BONDING COMPOUND SHALL CONFORM TO GENERAL SPECIAL PROVISIONS SECTION 719, AASHTO M 235 TYPE V AND SHALL BE APPLIED IN ACCORDANCE WITH THE MANUFACTURERS RECOMMENDATIONS.
8. FOR TRANSVERSE BRIDGE SLAB CONSTRUCTION JOINT, SEE DETAILS THIS SHEET. THE HYDROPHILIC WATERSTOP SHALL BE PLACED ON THE COMPLETED POUR PRIOR TO PLACEMENT OF THE ADJACENT POUR. THE HYDROPHILIC WATERSTOP SHALL TERMINATE 1'-0" FROM BRIDGE FASCIAS, AND BE PLACED ON A SMOOTH SURFACE, FASTENER ATTACHMENTS ARE NOT ALLOWED.

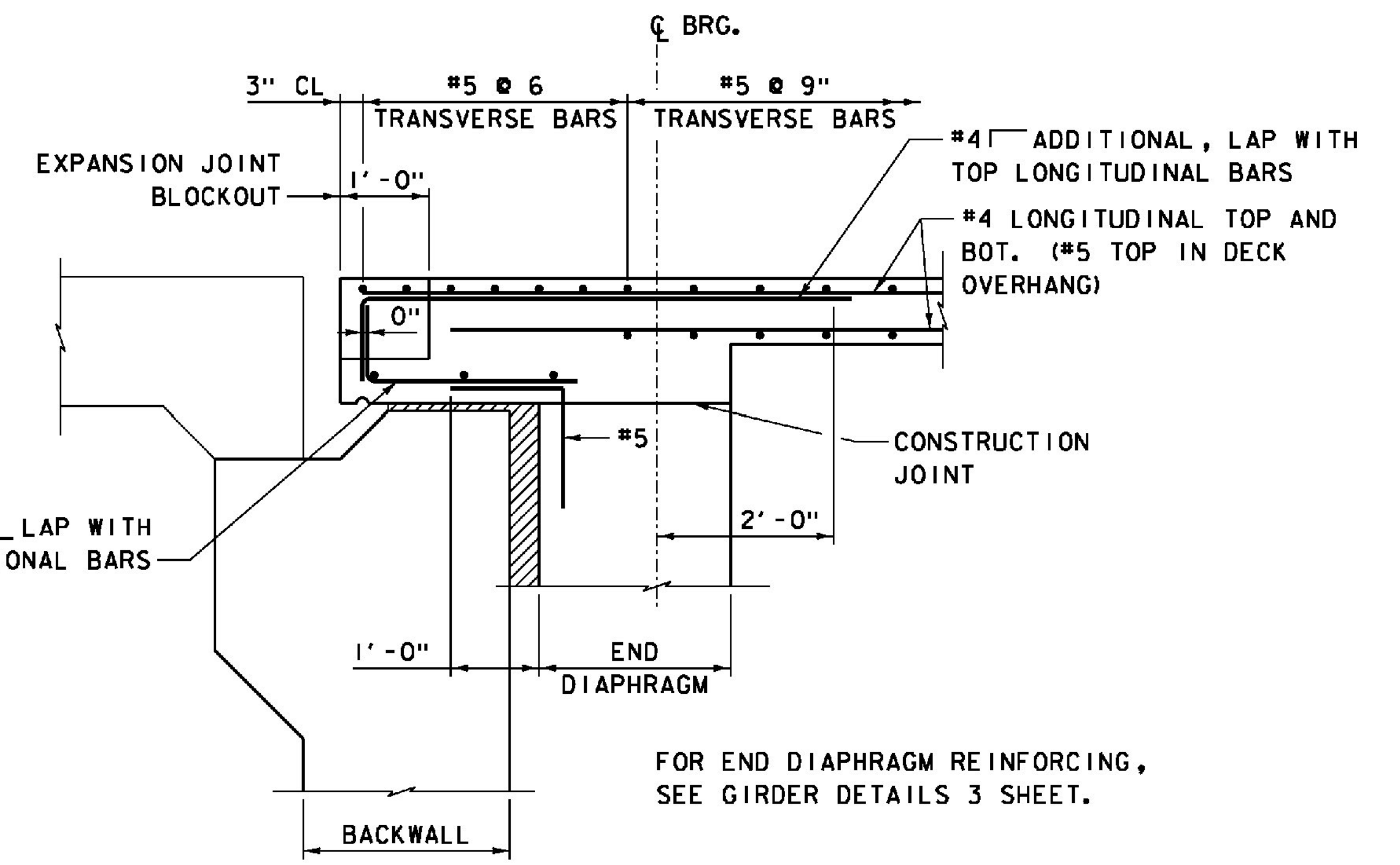


TRANSVERSE BRIDGE SLAB CONSTRUCTION JOINT DETAILS
NOT TO SCALE



NOTE: DETAIL IS TYPICAL FOR ALL SCUPPER LOCATIONS

ADDITIONAL REINFORCEMENT AT SCUPPER
NOT TO SCALE



DECK END OVERHANG REINFORCING DETAIL

SCALE 3/4" = 1'-0"
0 2

ITEMS USED ON THIS SHEET	
ITEM NO.	DESCRIPTION
900.608	HIGH PERFORMANCE CONCRETE, CLASS A, LOW CEMENT
900.635	STAINLESS STEEL REINFORCING

PROJECT NAME:	WINDSOR
PROJECT NUMBER:	IM 091-1(64)
FILE NAME:	z10o188DECK DTL1.dgn
PROJECT LEADER:	J. WILSON
DESIGNED BY:	R. PEIN
PLOT DATE:	7/30/2015
DRAWN BY:	N. GARCIA III
CHECKED BY:	S. HALLORAN
DECK PLACEMENT SEQUENCE AND DETAILS SHEET 61 OF 156	