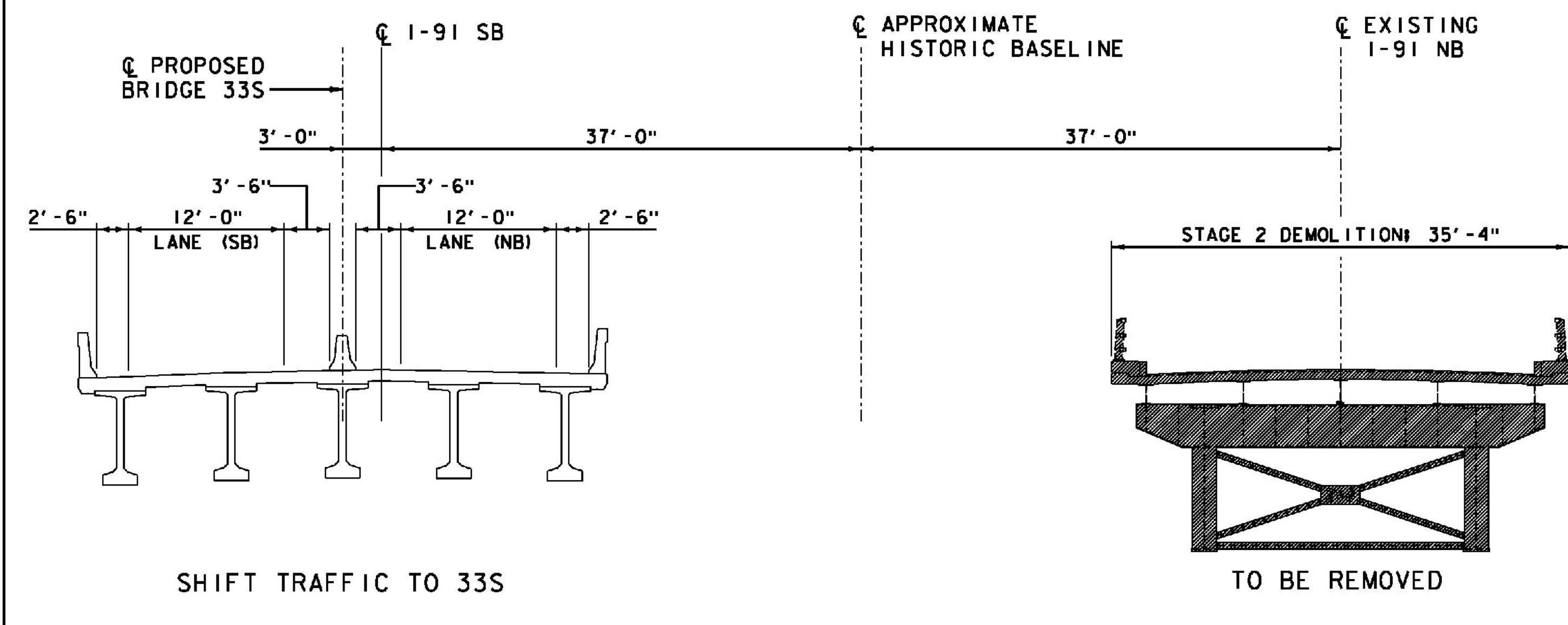
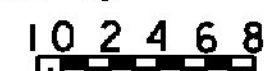


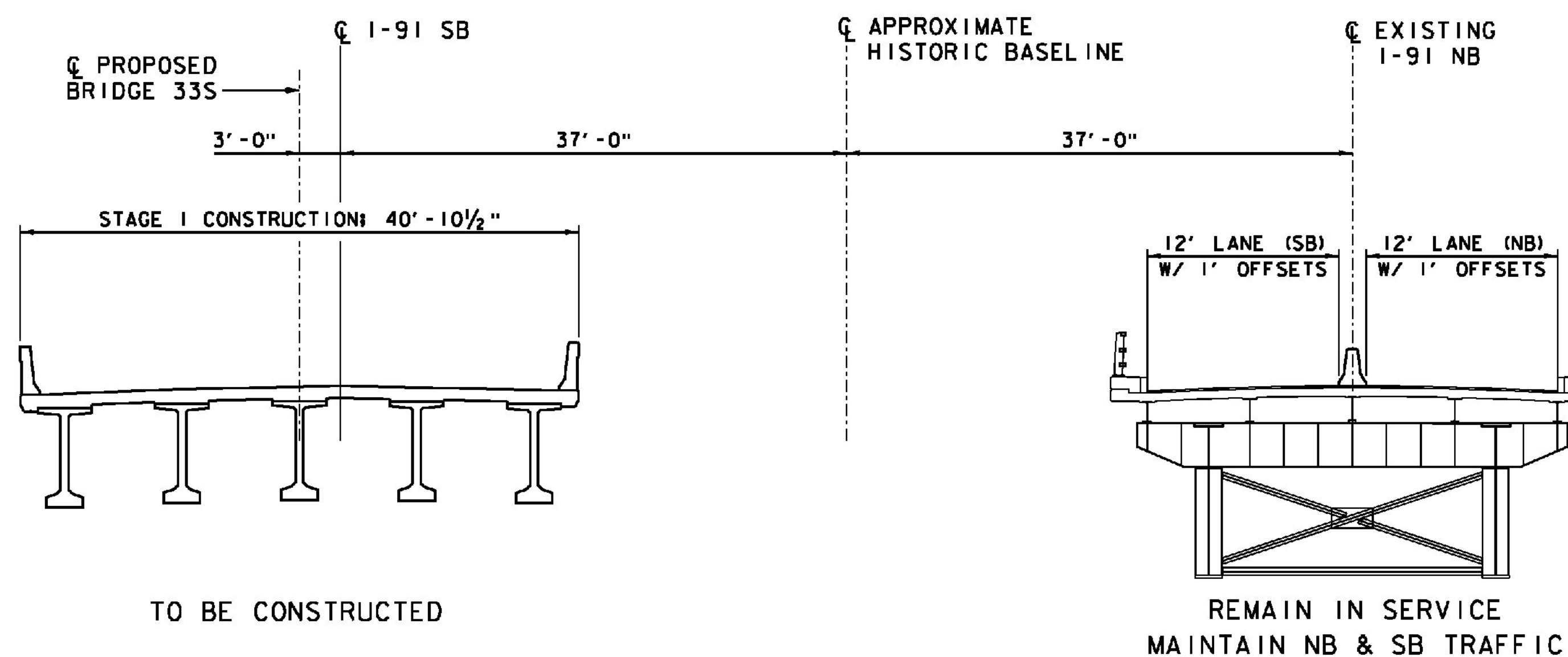
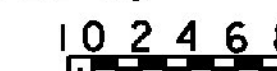
STAGE 1 DEMOLITION

SCALE 1/8" = 1'-0"



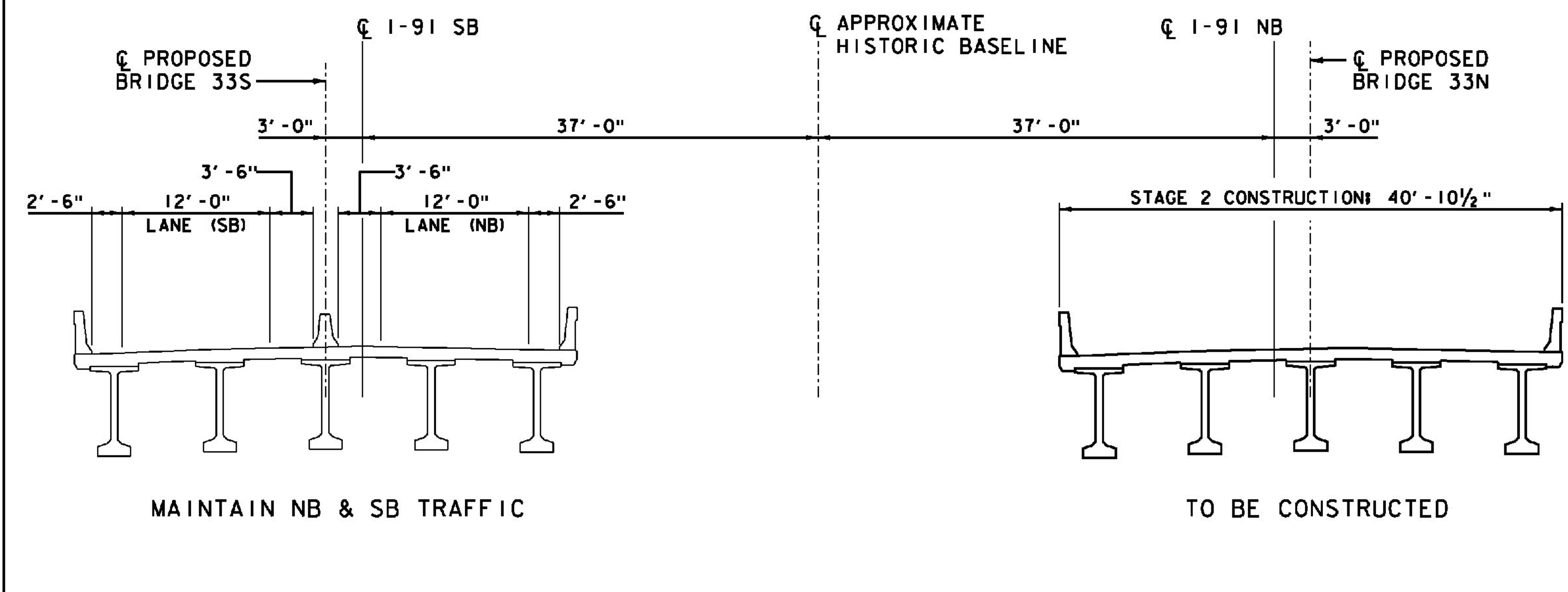
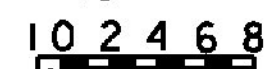
STAGE 2 DEMOLITION

SCALE 1/8" = 1'-0"



STAGE 1 CONSTRUCTION

SCALE 1/8" = 1'-0"



STAGE 2 CONSTRUCTION

SCALE 1/8" = 1'-0"



PROJECT NAME: WINDSOR
 PROJECT NUMBER: IM 091-1(64)

FILE NAME: z10o188BCS.dgn
 PROJECT LEADER: J. WILSON
 DESIGNED BY: R. PEIN
 BRIDGE SEQUENCE OF CONSTRUCTION
 PLOT DATE: 7/30/2015
 DRAWN BY: N. GARCIA III
 CHECKED BY: S. HALLORAN
 SHEET 58 OF 156