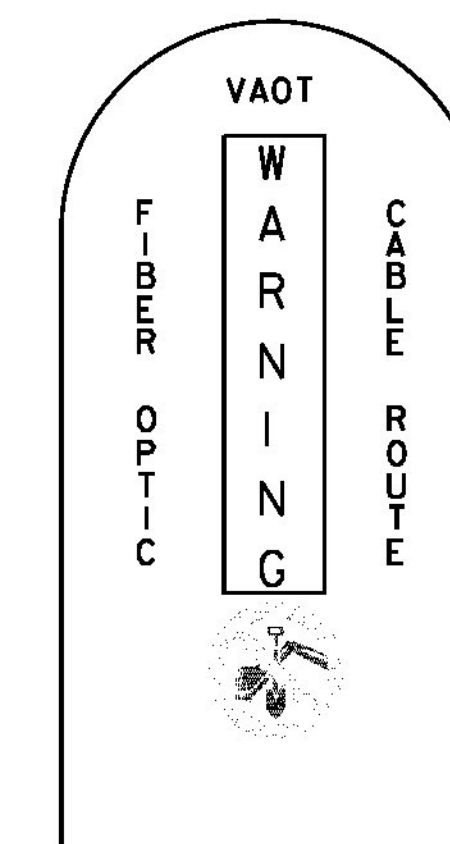
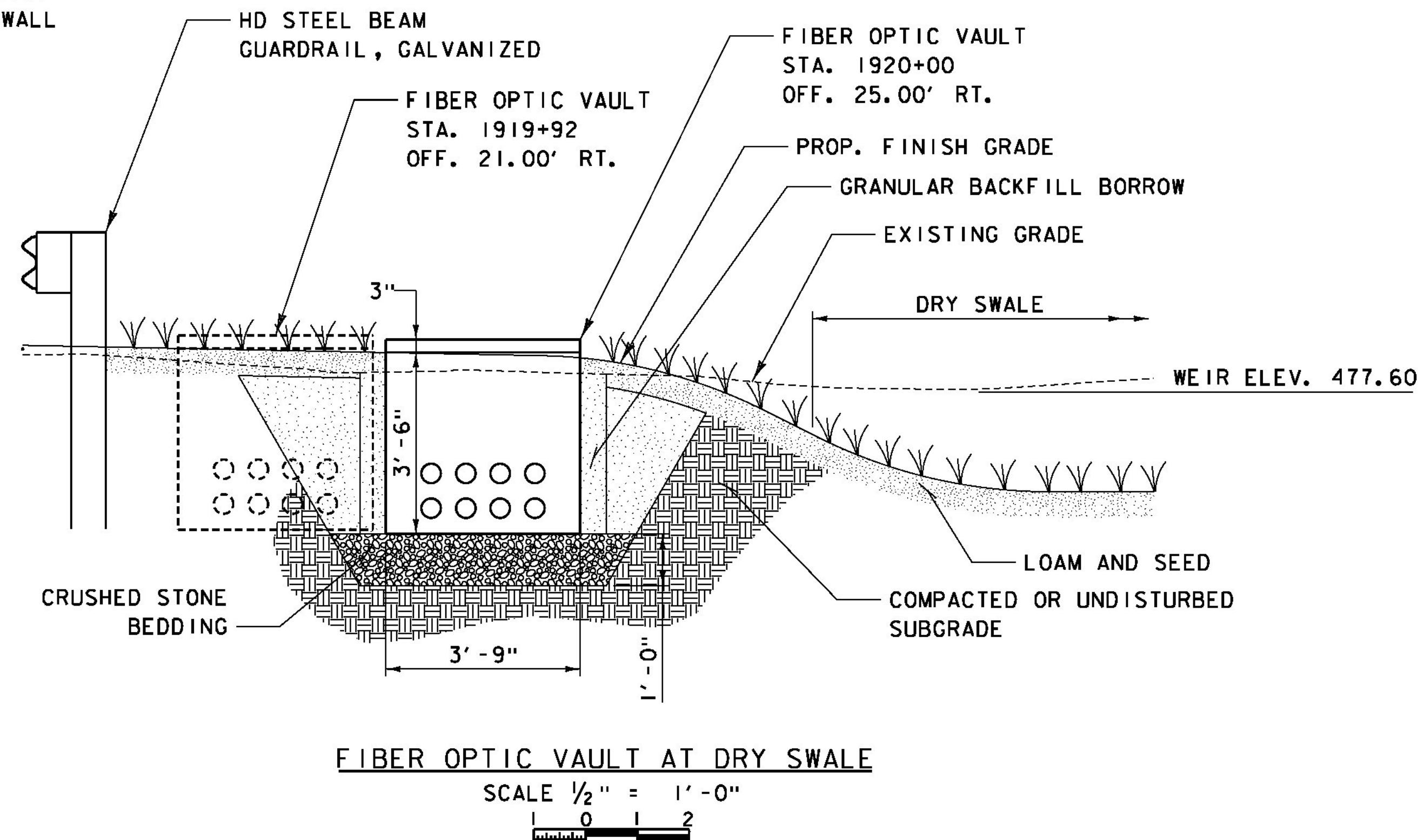
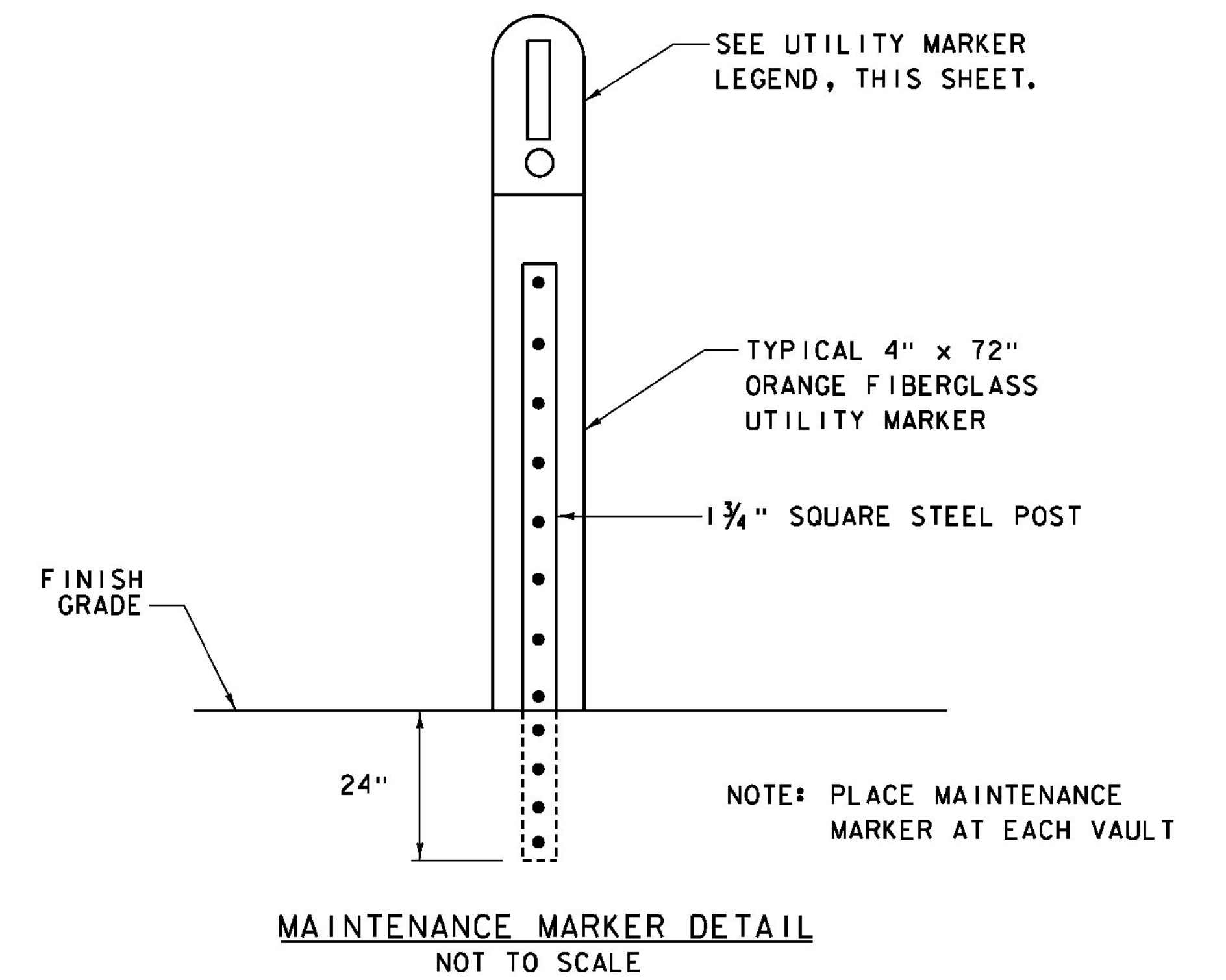
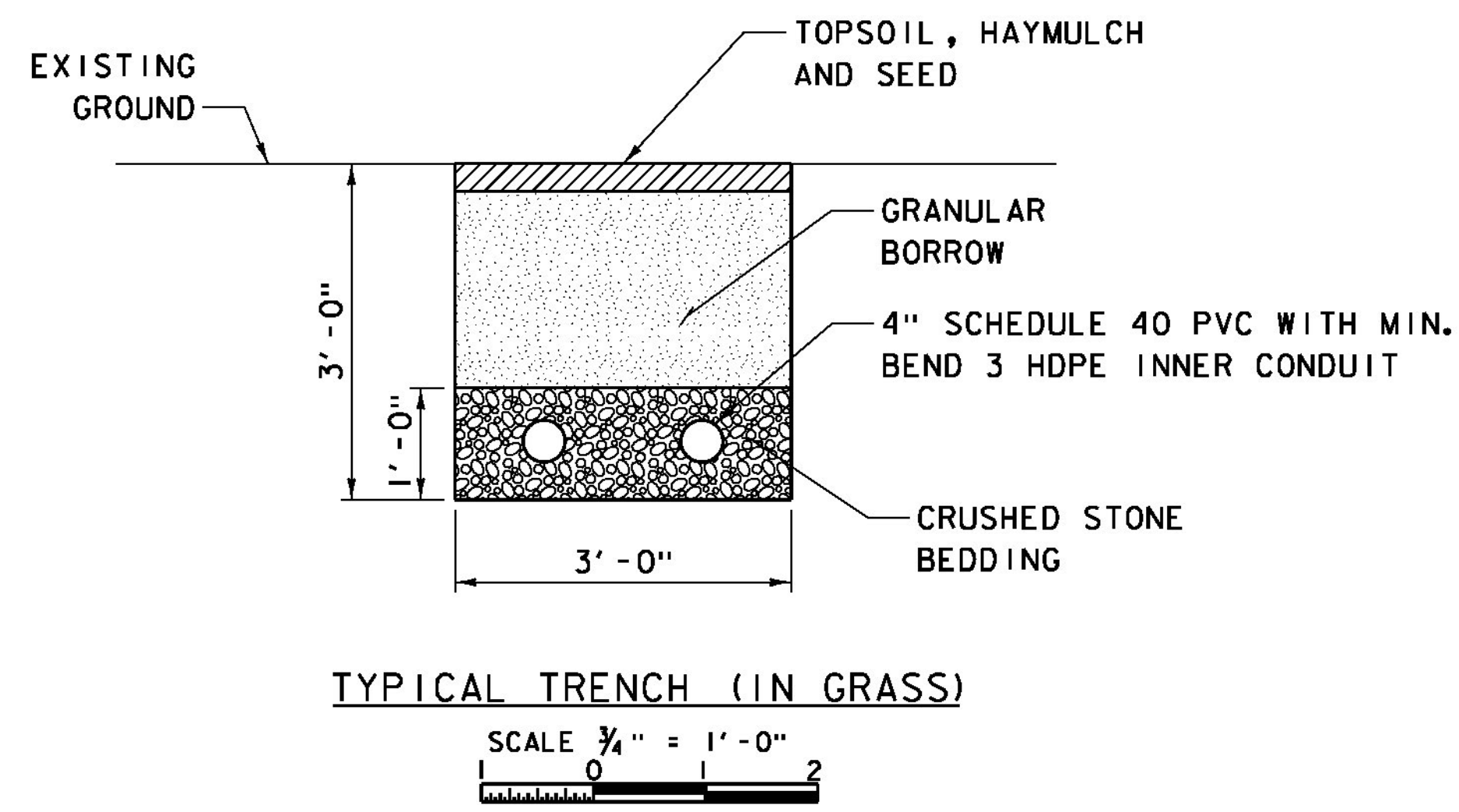
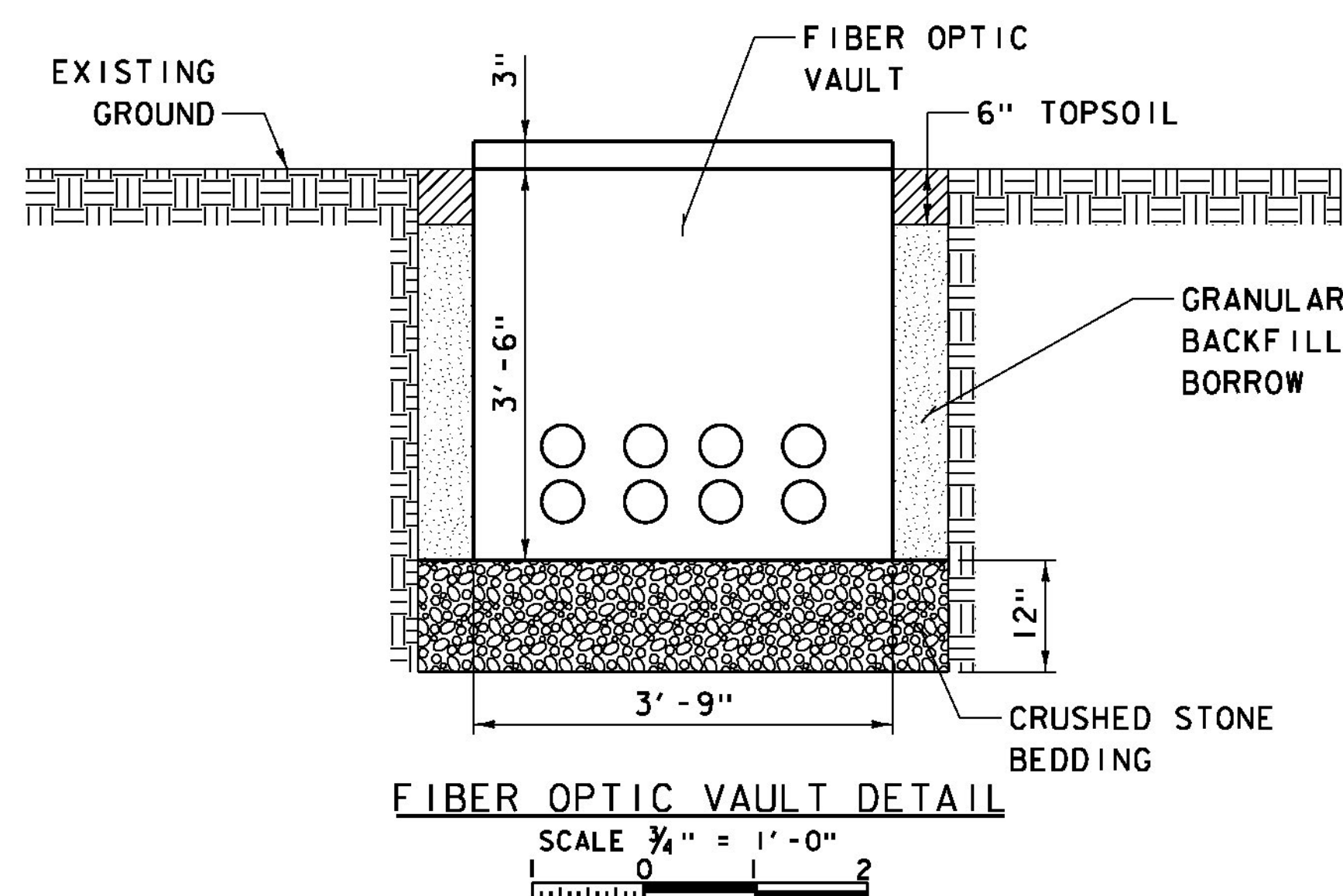


FIBER OPTIC VAULT DETAIL
NOT TO SCALE



UTILITY MARKER LEGEND
NOT TO SCALE

ITEMS USED ON THIS SHEET	
ITEM NO.	DESCRIPTION
203.32	GRANULAR BORROW
629.54	CRUSHED STONE BEDDING
900.620	INSTALLATION OF MULTI-DUCT CONDUIT SYSTEM FOR THE ACCOMMODATION OF FIBER CABLE

PROJECT NAME: WINDSOR	
PROJECT NUMBER: IM 091-1(64)	
FILE NAME: z10o188RDTL4.dgn	PLOT DATE: 7/30/2015
PROJECT LEADER: J. WILSON	DRAWN BY: S. GUNN
DESIGNED BY: H. FULLER	CHECKED BY: T. MORIN
MISC. ROADWAY DETAILS - SHEET 4	SHEET 10 OF 156