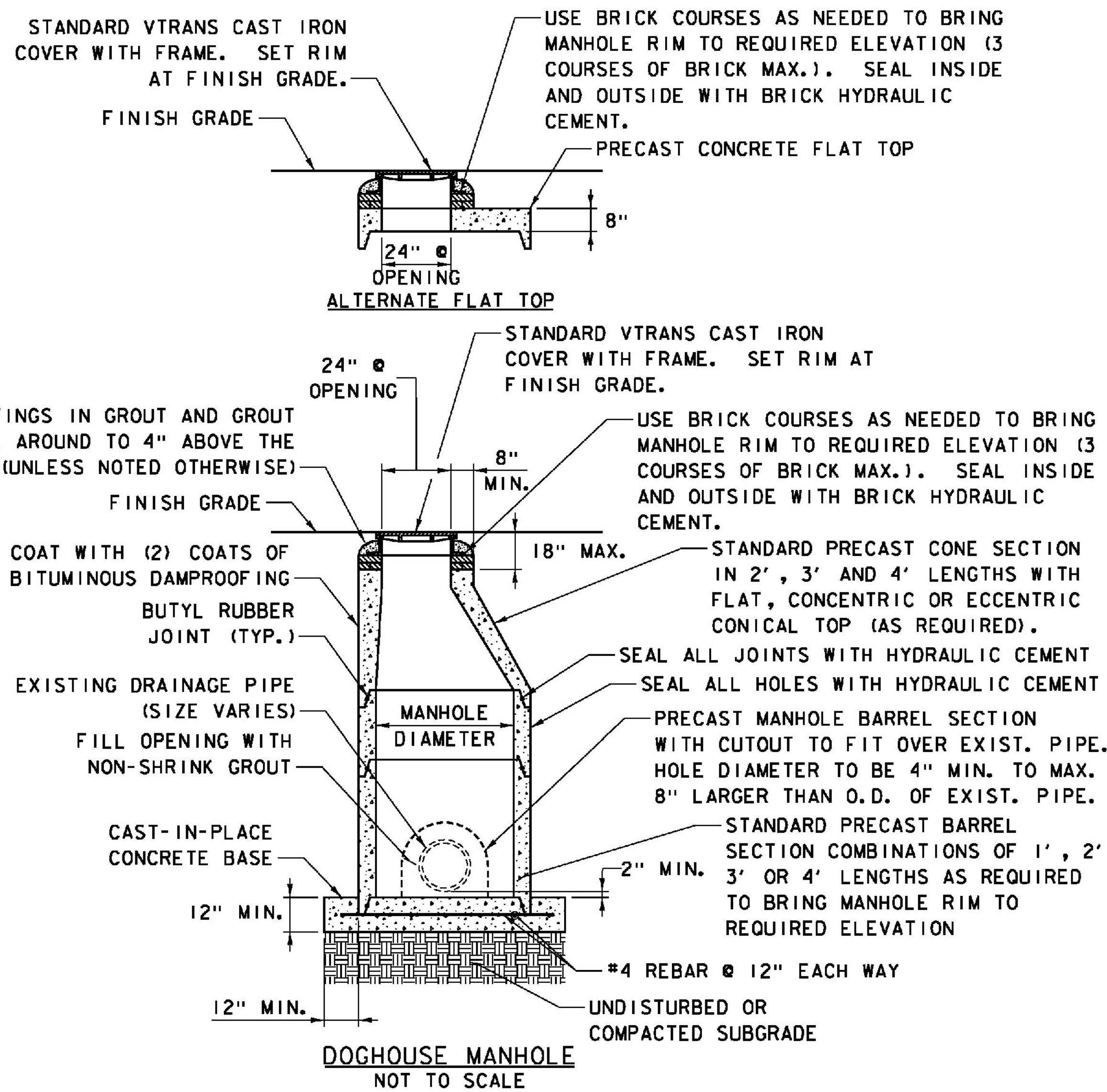
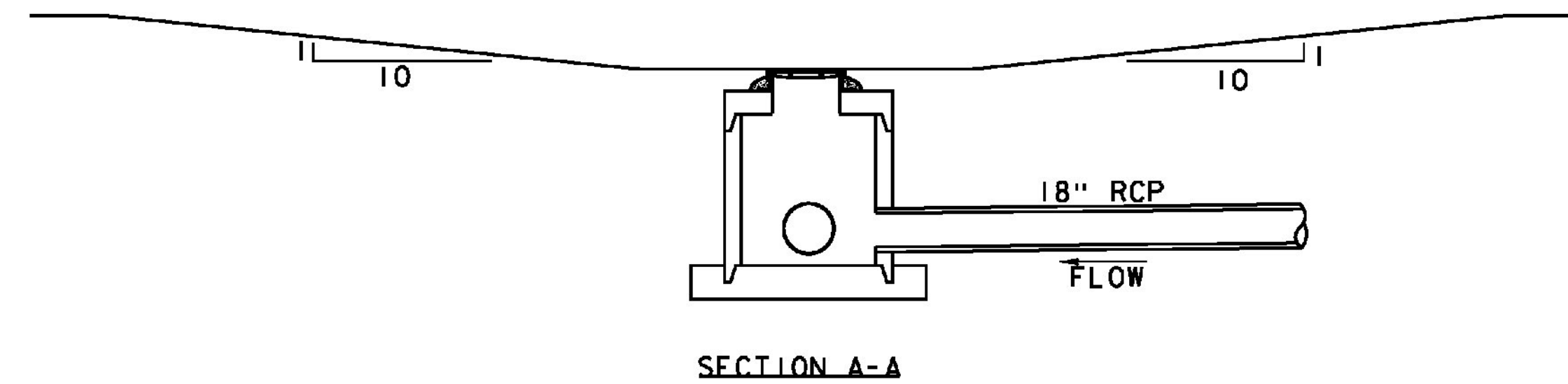
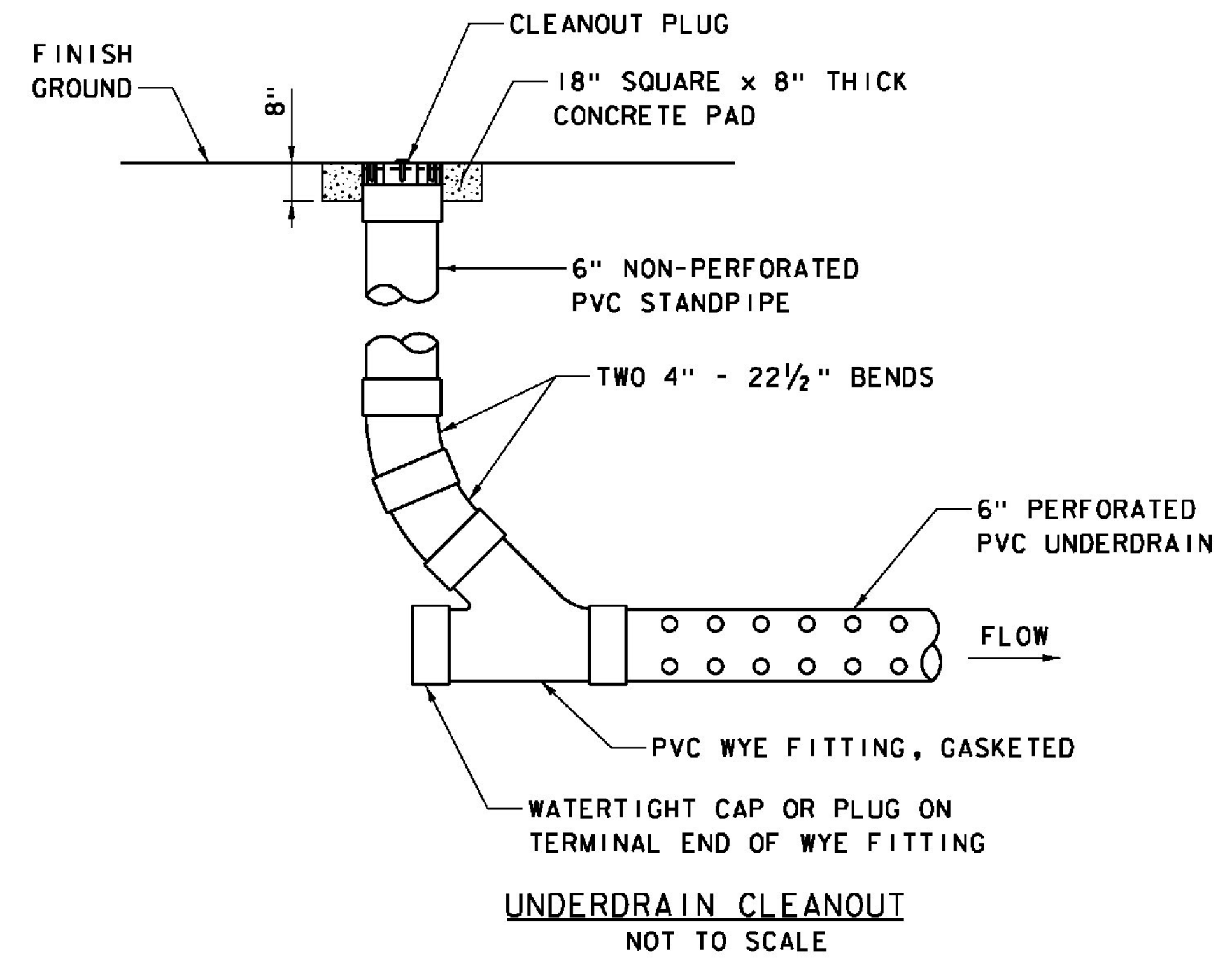


DRY SWALE OVERFLOW STRUCTURE
(LOOKING DOWN STATION)
SCALE 1/4" = 1'-0"



DOGHOUSE MANHOLE
NOT TO SCALE



UNDERDRAIN CLEANOUT
NOT TO SCALE

ITEMS USED ON THIS SHEET	
ITEM NO.	DESCRIPTION
541.25	CONCRETE, CLASS B
604.21	PRECAST REINFORCED CONCRETE MANHOLE WITH CAST IRON COVER
604.49	CAST IRON GRATE, TYPE C
605.10	6 INCH UNDERDRAIN PIPE

PROJECT NAME: WINDSOR	
PROJECT NUMBER: IM 091-1(64)	
FILE NAME: z10o188RDTL3.dgn	PLOT DATE: 7/30/2015
PROJECT LEADER: J. WILSON	DRAWN BY: S. GUNN
DESIGNED BY: H. FULLER	CHECKED BY: T. MORIN
MISC. ROADWAY DETAILS - SHEET 3	SHEET 9 OF 156