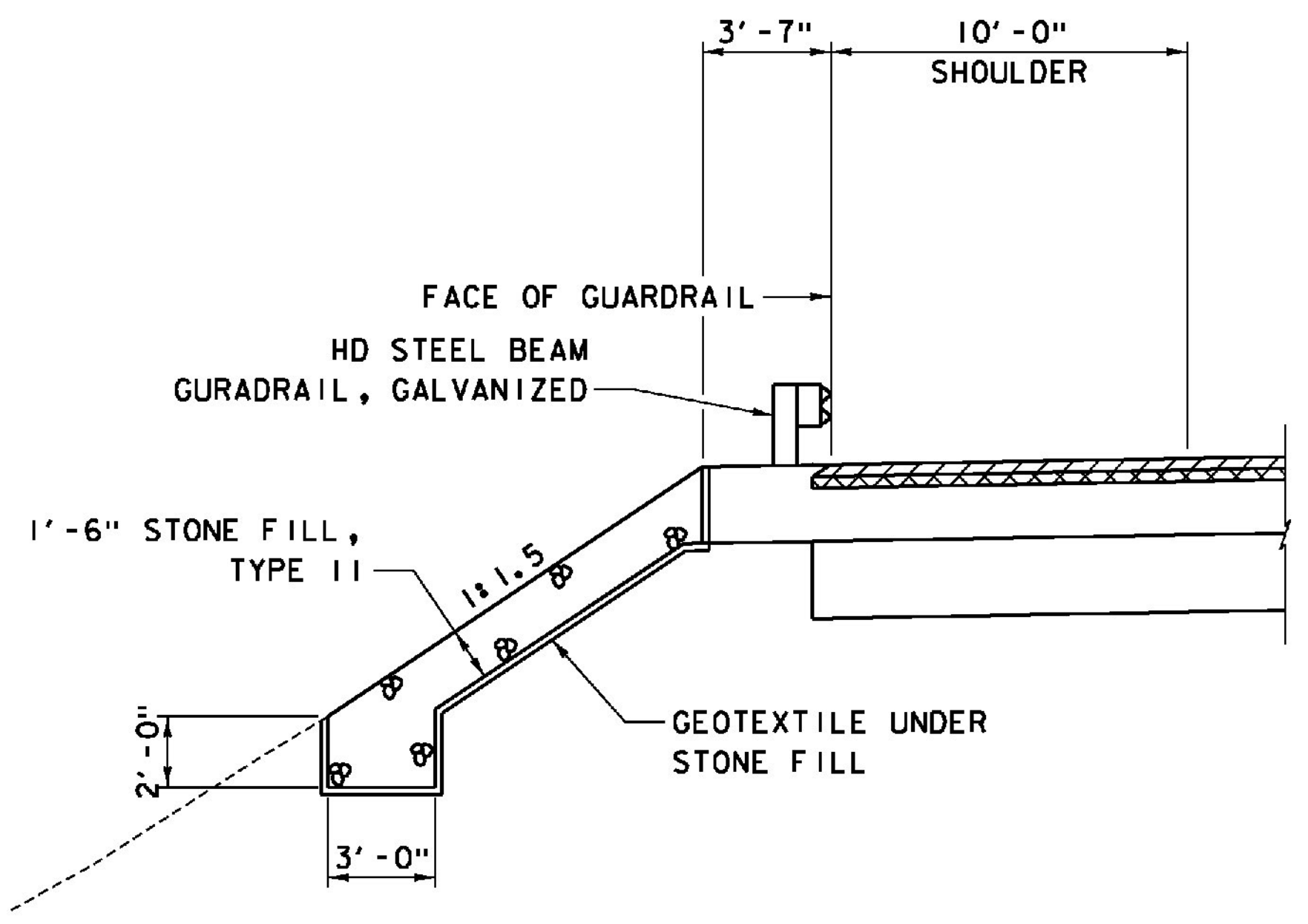
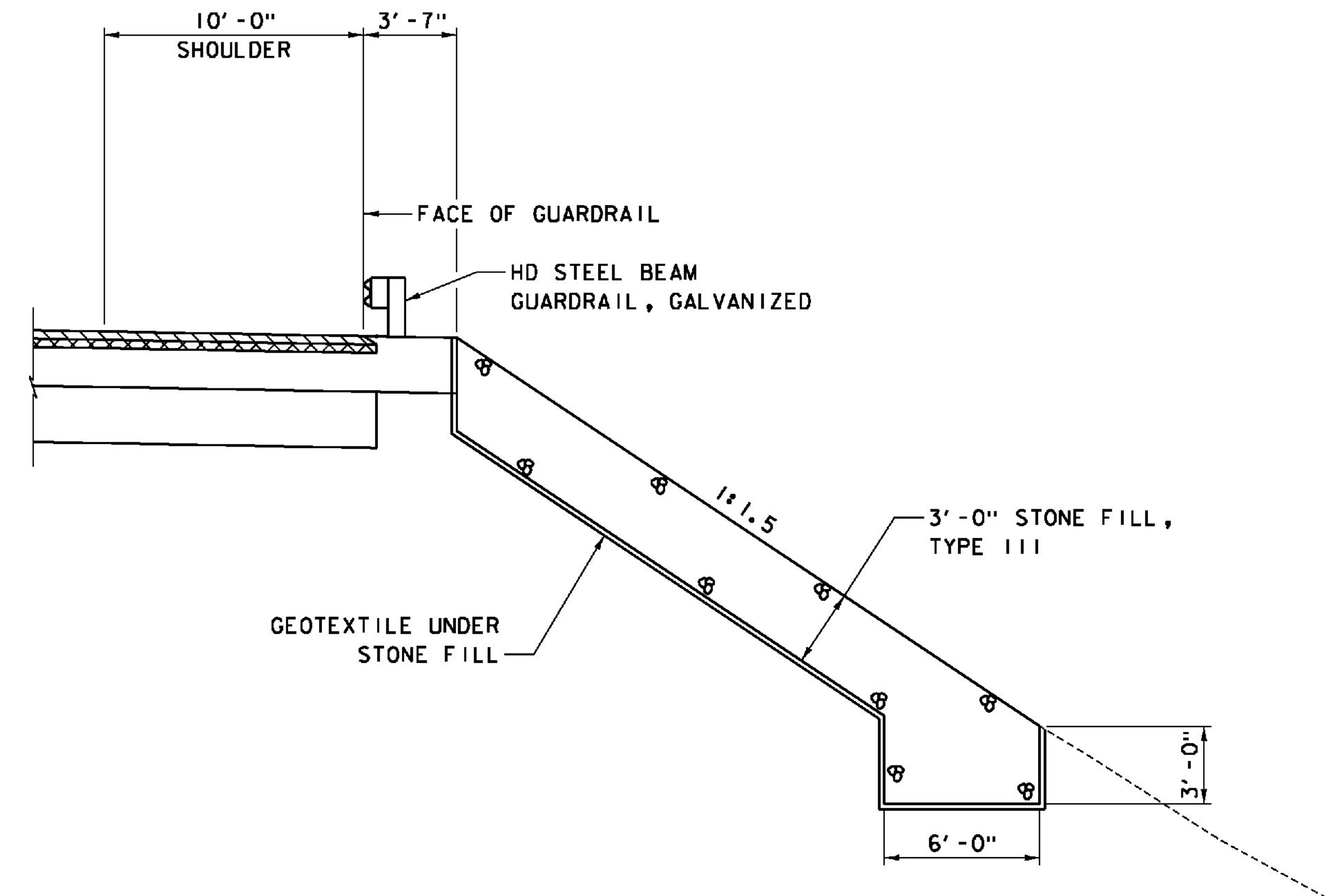


VT. ROUTE 44 TYPICAL ROADWAY SECTION
SCALE 1/4" = 1'-0"
1 0 2 4 6

MATERIAL ITEM	TOLERANCE
PAVEMENT	+/- 1/4" TOTAL THICKNESS
AGGREGATE SURFACE COURSE	+/- 1/2"
BASE COURSE	+/- 1/2"
SUBBASE	+/- 1"
SAND BORROW	+/- 1"
GRANULAR BORROW	+/- 1"



REINFORCED EARTH SLOPE - STONE FILL TYPE II
1-91 SB: STA. 1918+40 - STA. 1919+25 LT.
SCALE 1/4" = 1'-0"
1 0 2 4 6



REINFORCED EARTH SLOPE - STONE FILL TYPE III
1-91 NB: STA. 2918+40 - STA. 2920+60 RT.
1-91 NB: STA. 2927+92 - STA. 2928+25 RT.
SCALE 1/4" = 1'-0"
1 0 2 4 6

PROJECT NAME: WINDSOR	PLOT DATE: 7/30/2015
PROJECT NUMBER: IM 091-1(64)	DRAWN BY: S. GUNN
FILE NAME: z10o188RTYP2.dgn	CHECKED BY: T. MORIN
PROJECT LEADER: J. WILSON	SHEET 6 OF 156
DESIGNED BY: H. FULLER	TYPICAL ROADWAY SECTIONS - SHEET 2