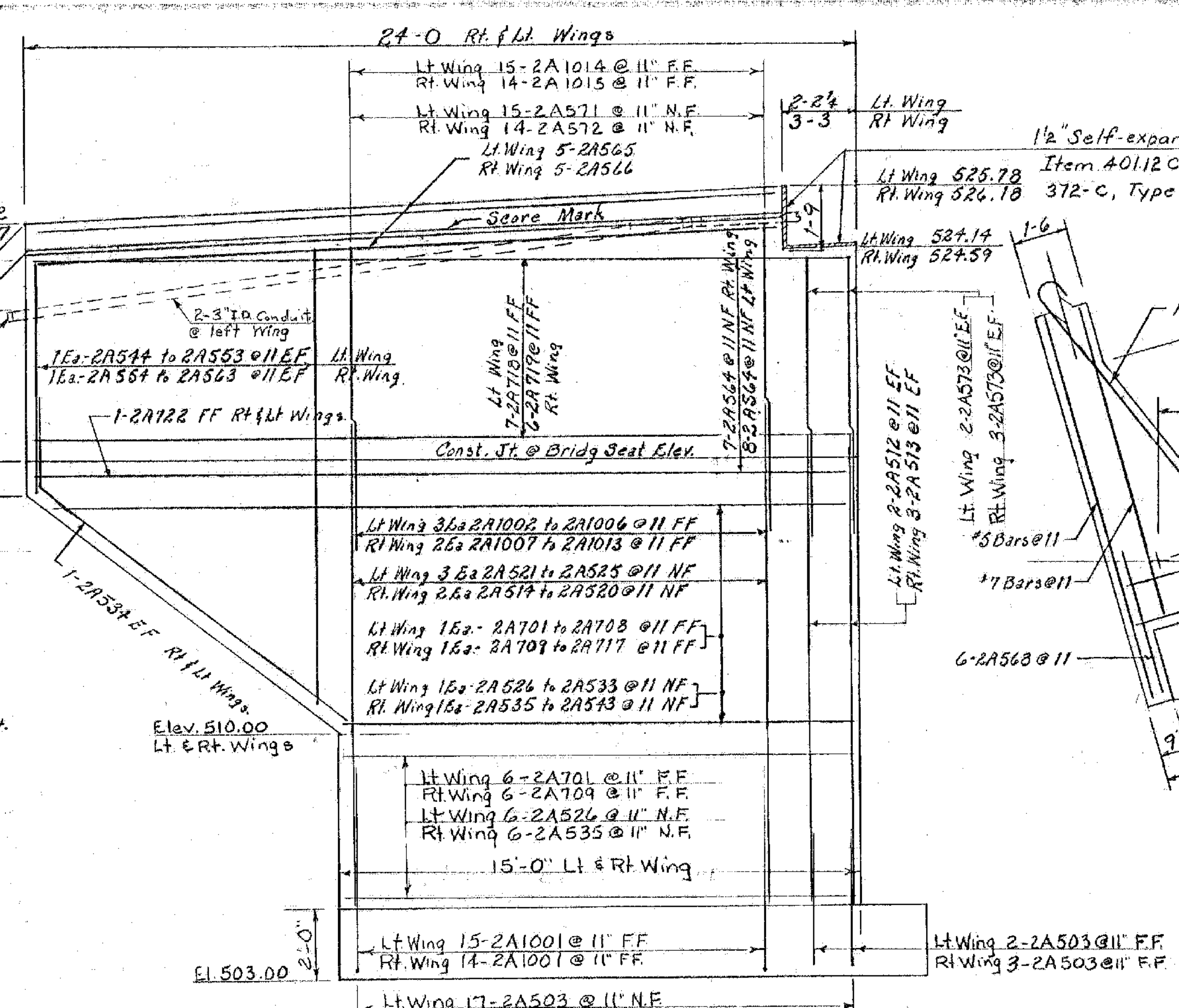
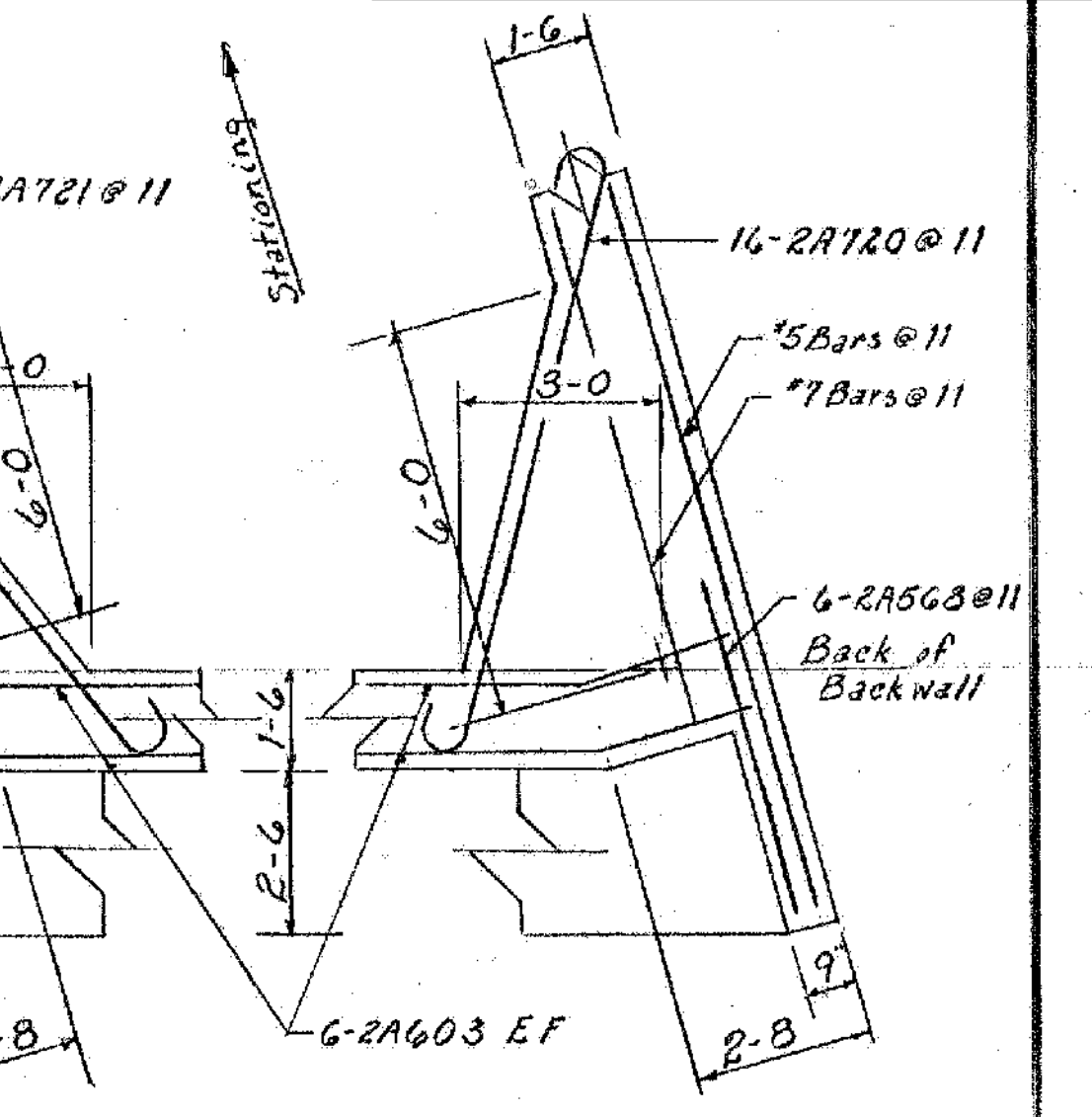


Note:
Do not construct above
this joint until structural
steel is in place and final
grade is determined.
(Typical both sides)

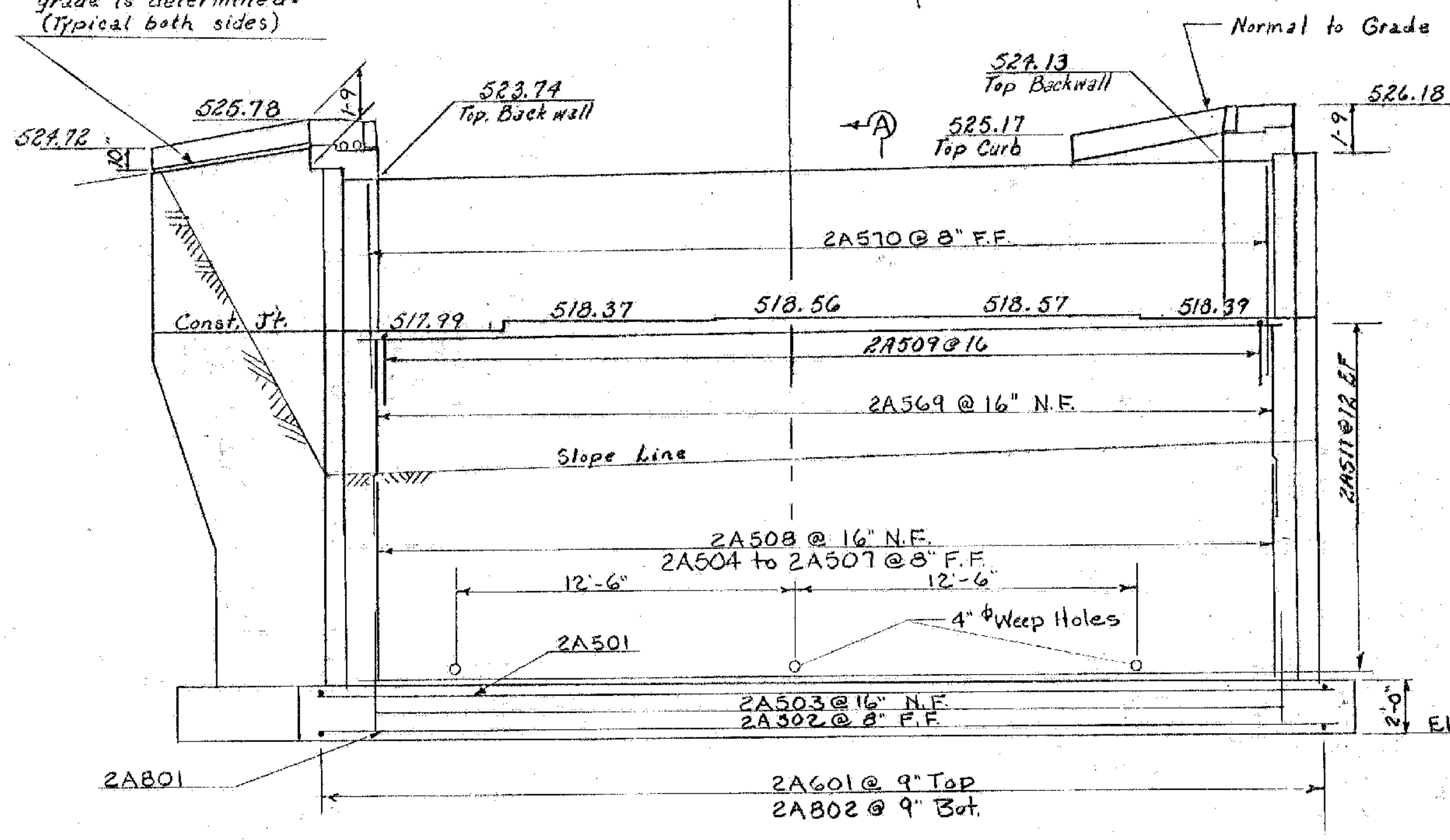
PLAN
Scale 1/4"=1'



WING ELEVATION
Scale: 3/8"=1'-0"

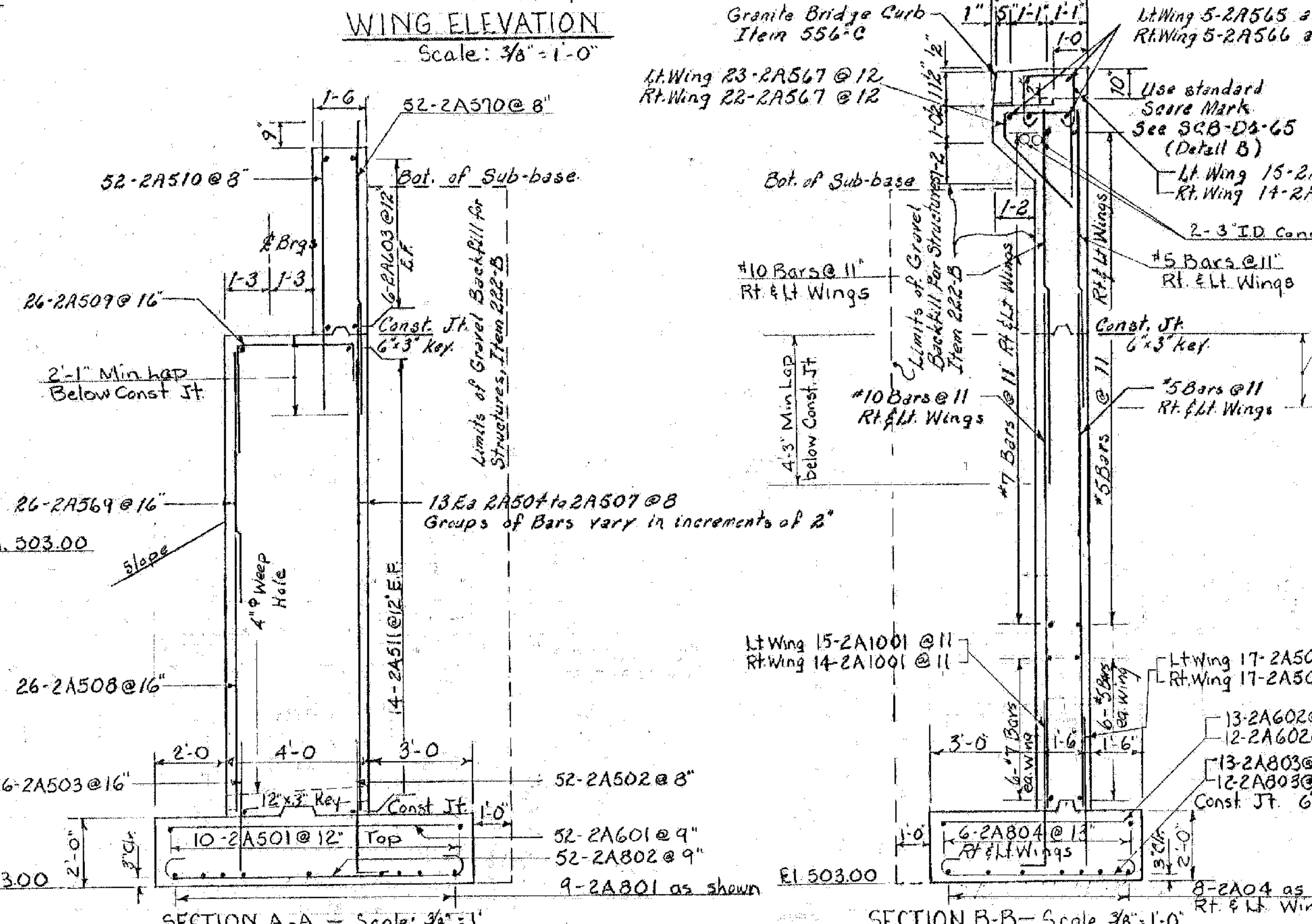


CORNER DETAILS
Scale 3/8"=1'



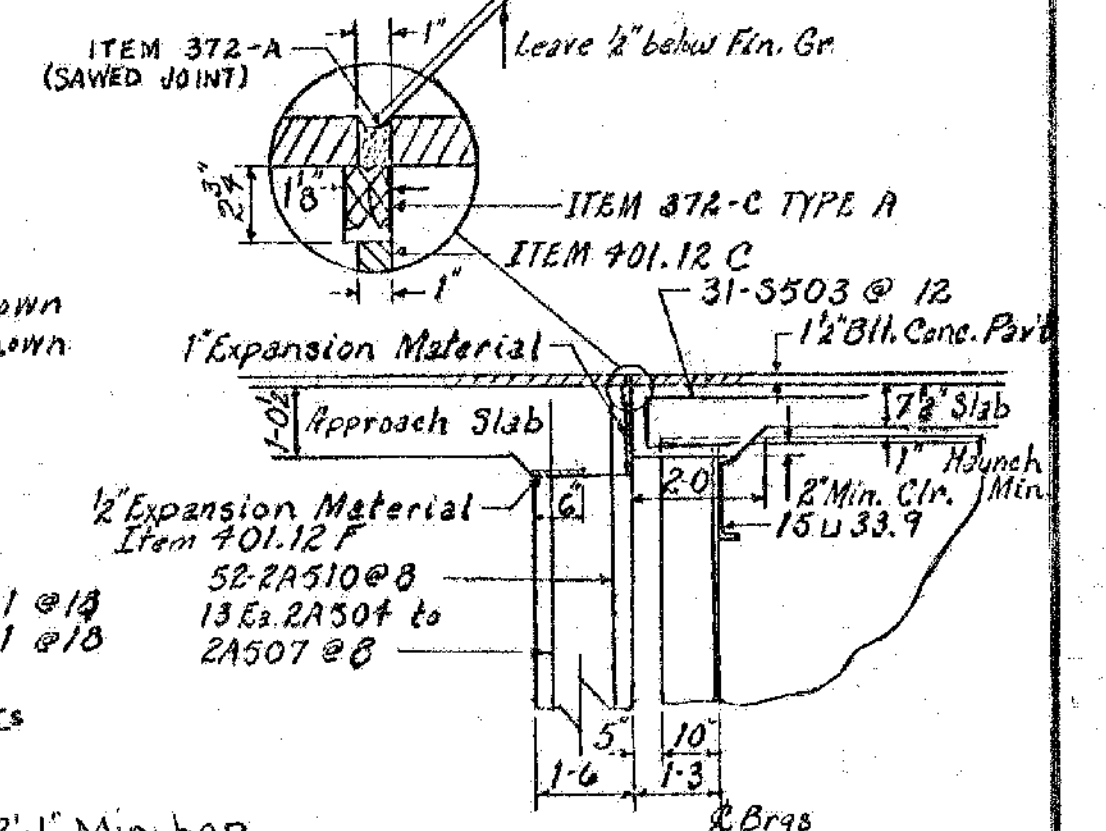
ELEVATION
Scale: 1/4"=1'

E.F. = Each Face
F.F. = Far Face
N.F. = Near Face



SECTION A-A - Scale: 3/8"=1'

SECTION B-B - Scale: 7/8"=1'-0"



FIXED END DETAILS
Scale 3/8"=1'

For notes see details of Abutment No 1
Sheet BR 309

Revised 7/18/66 RAO.
Omitted piling, lowered bottom of
footing 4", added reinforcing steel
and reduced footing thickness from 3 to 2.

STATE OF VERMONT
DEPARTMENT OF HIGHWAYS

PROJECT NAME St. ALBANS - SWANTON
TOWN OF St. ALBANS
ROUTE No. I 89 STA. 35+6.92-46
VE 105 over I 89
ABUTMENT No 2
SCALE As Shown

DRAWN BY RPG CHECKED BY J.J.C.
PROJECT No. I 89-3(36) Centr. 1
SHEET 96 of 298
BR-310-A