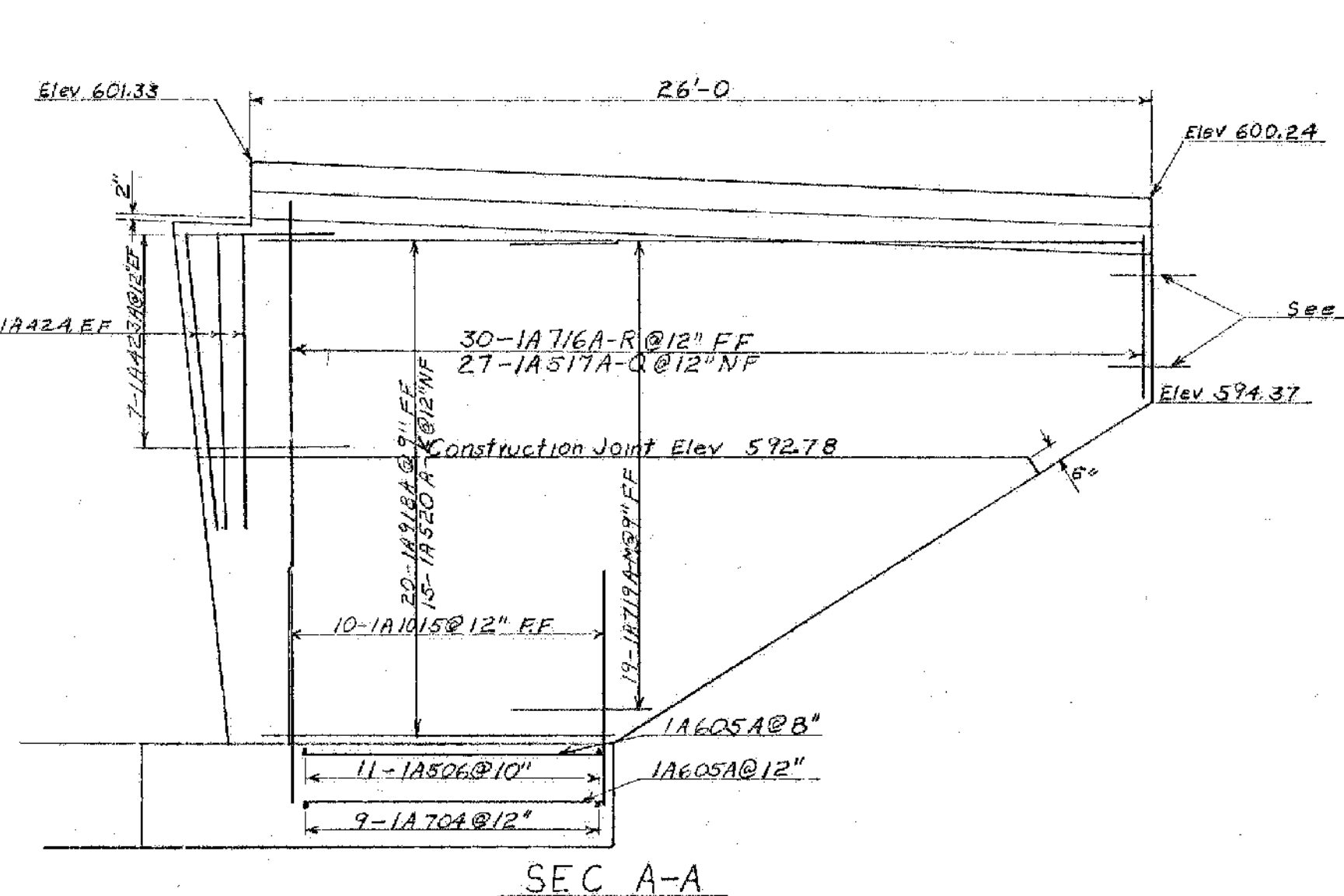
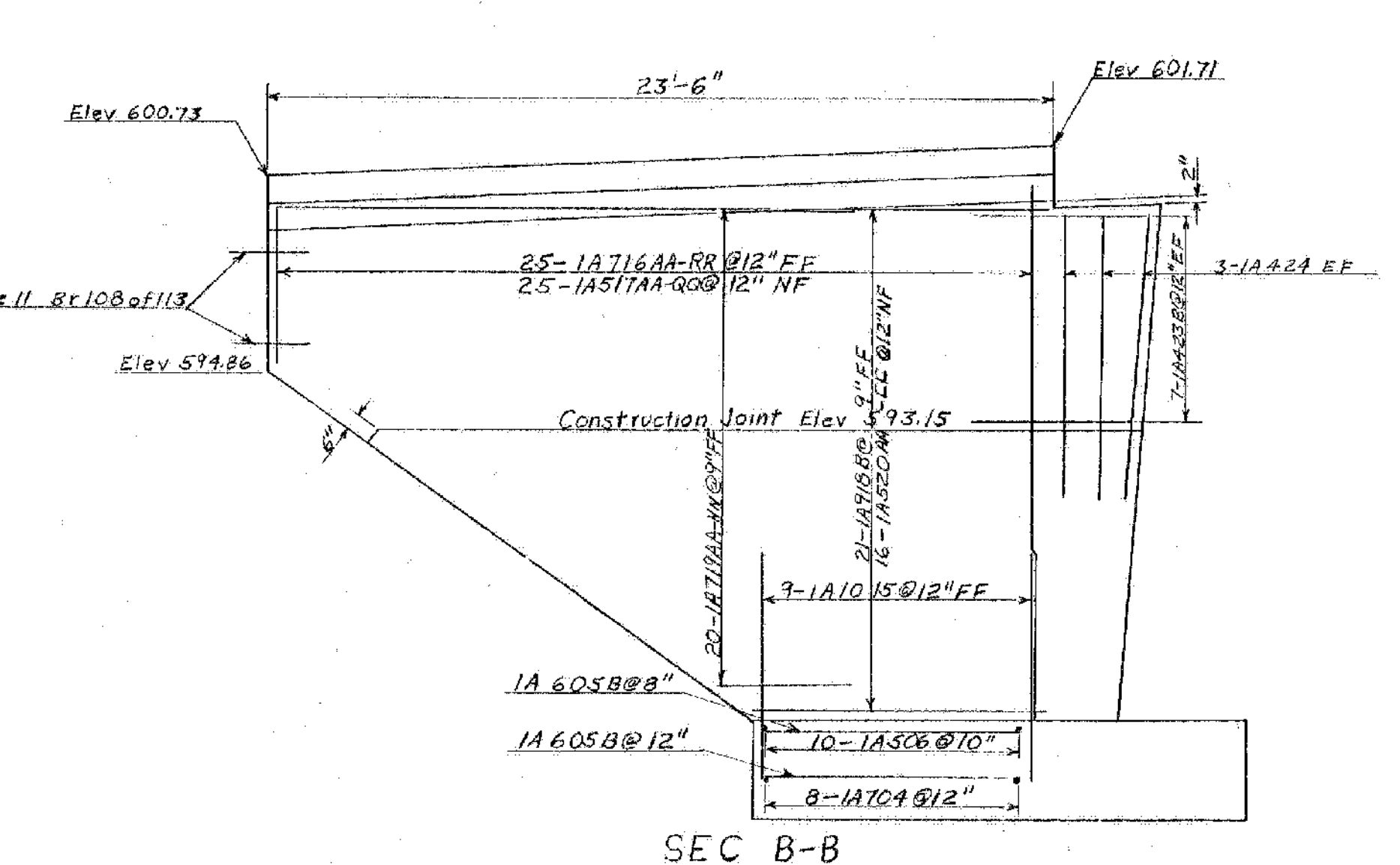


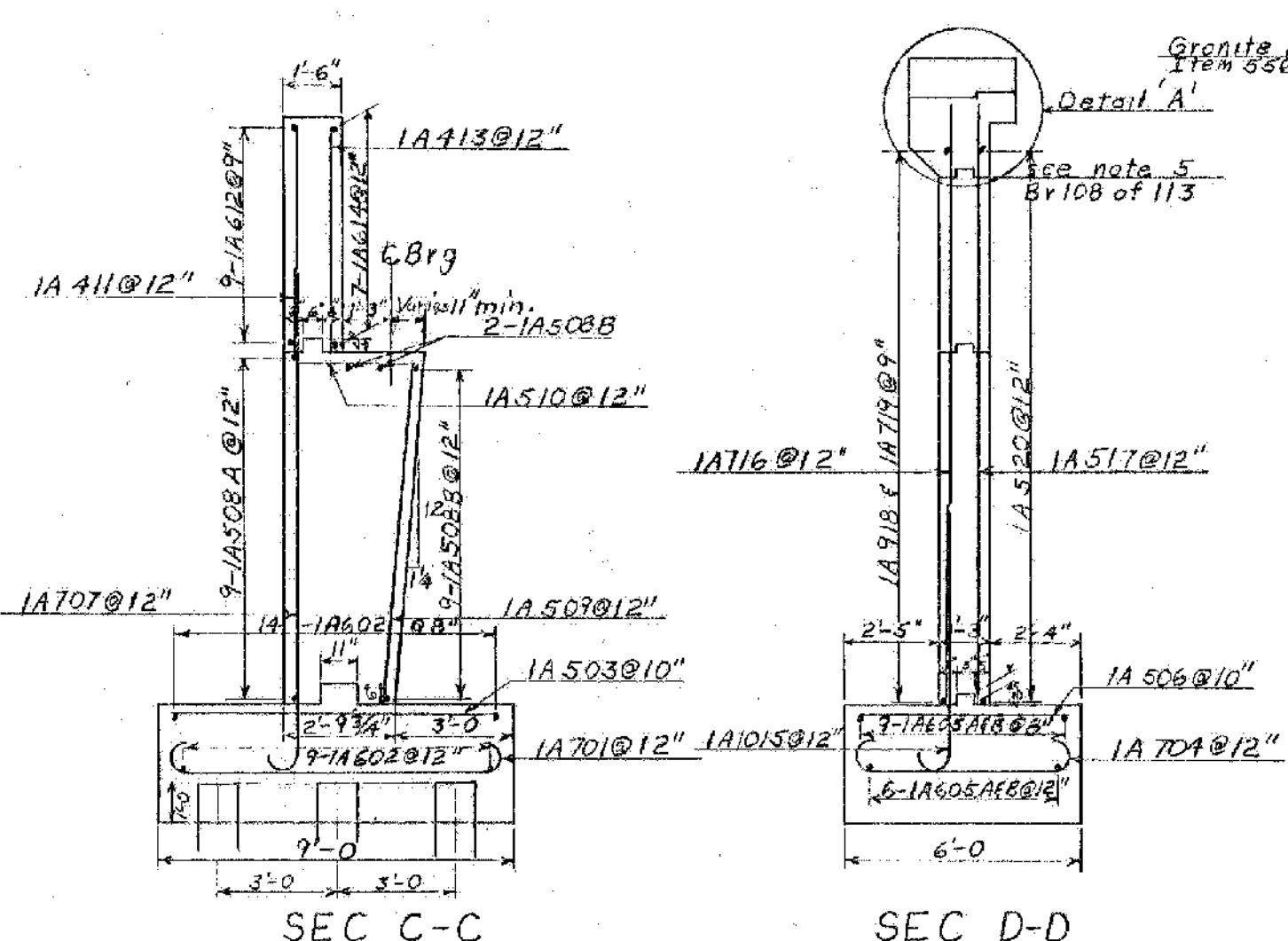
PLAN



SEC A-A

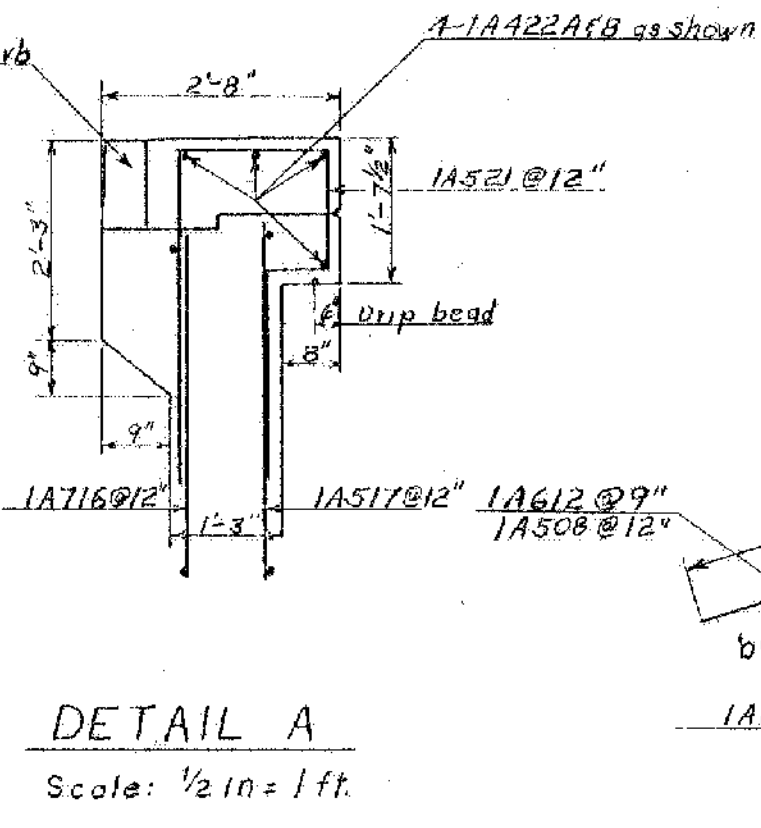


SEC B-B

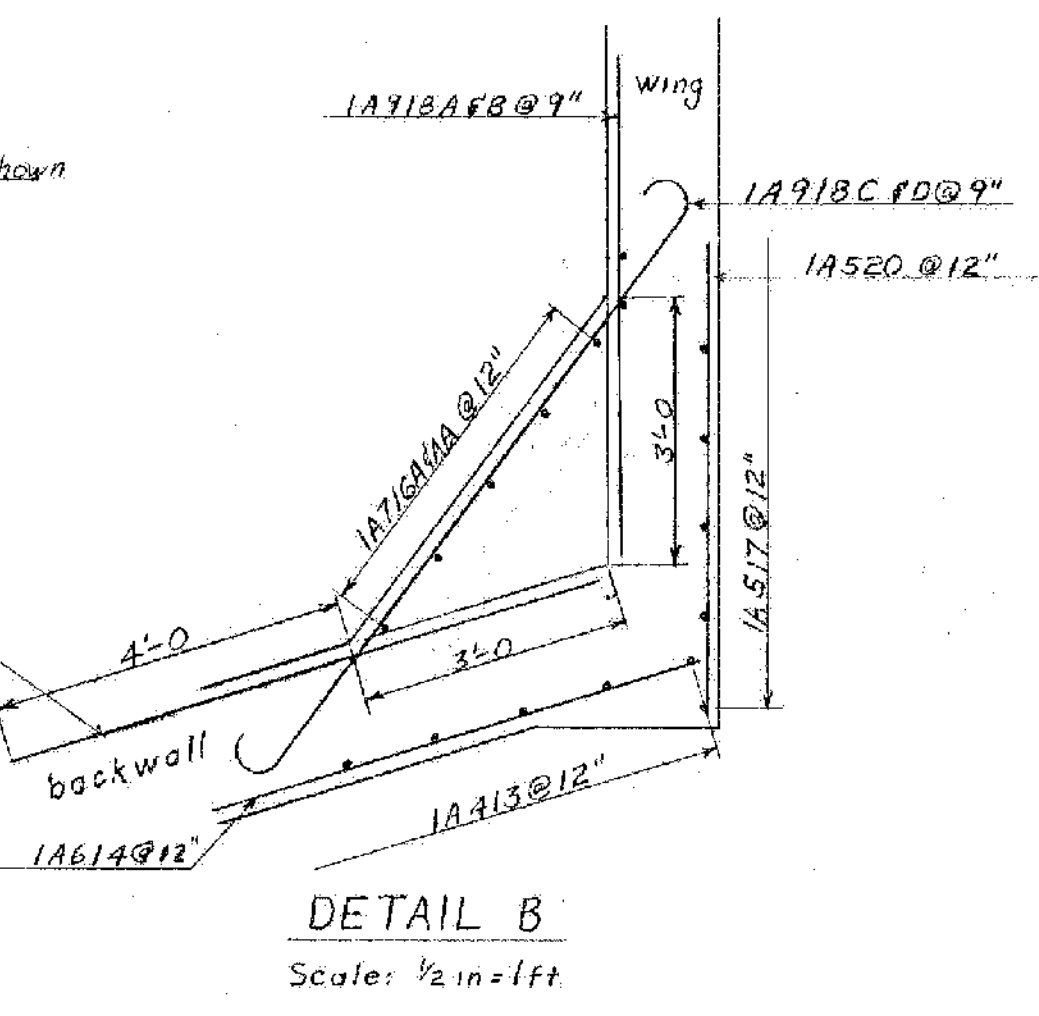


SEC C-C

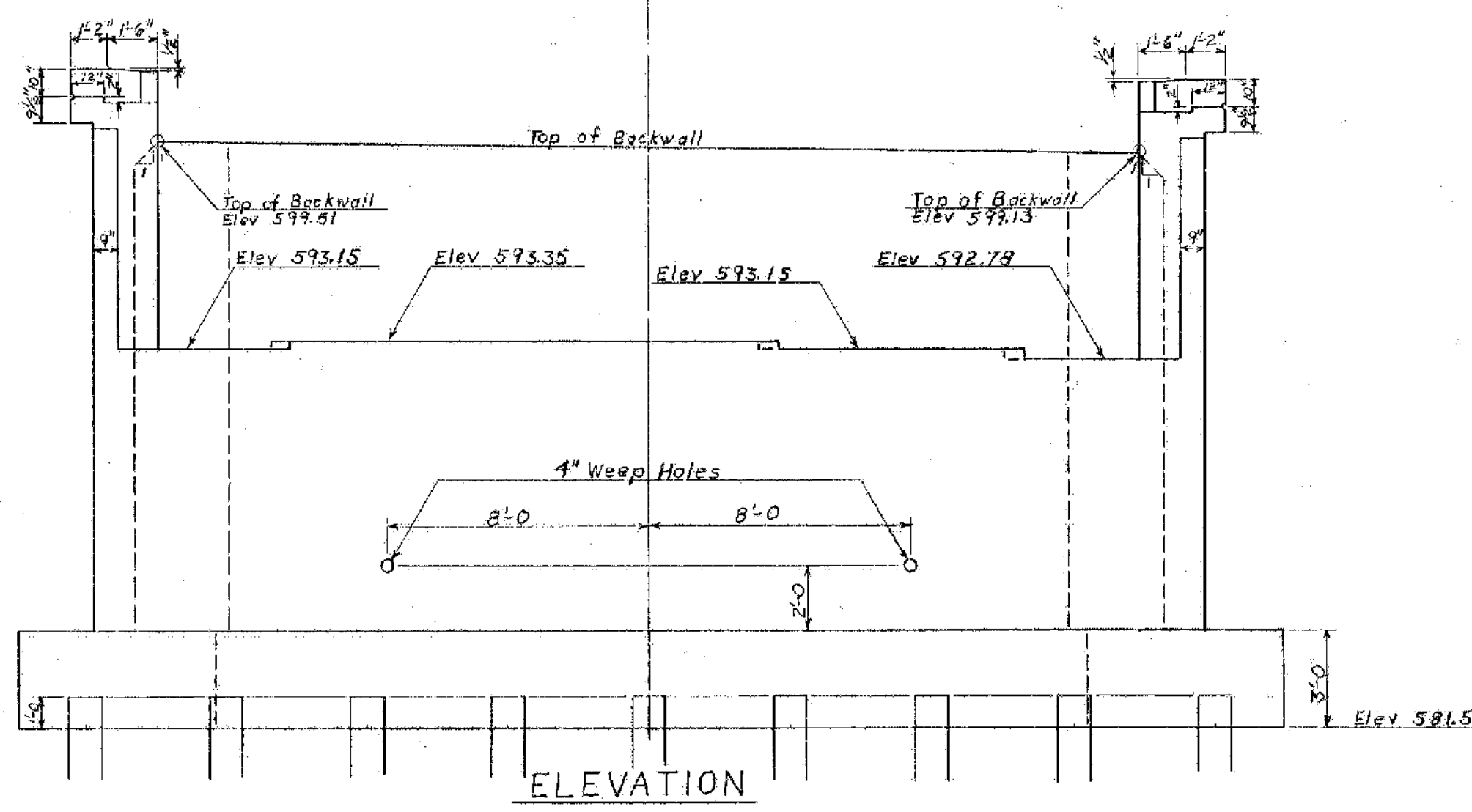
SEC D-D



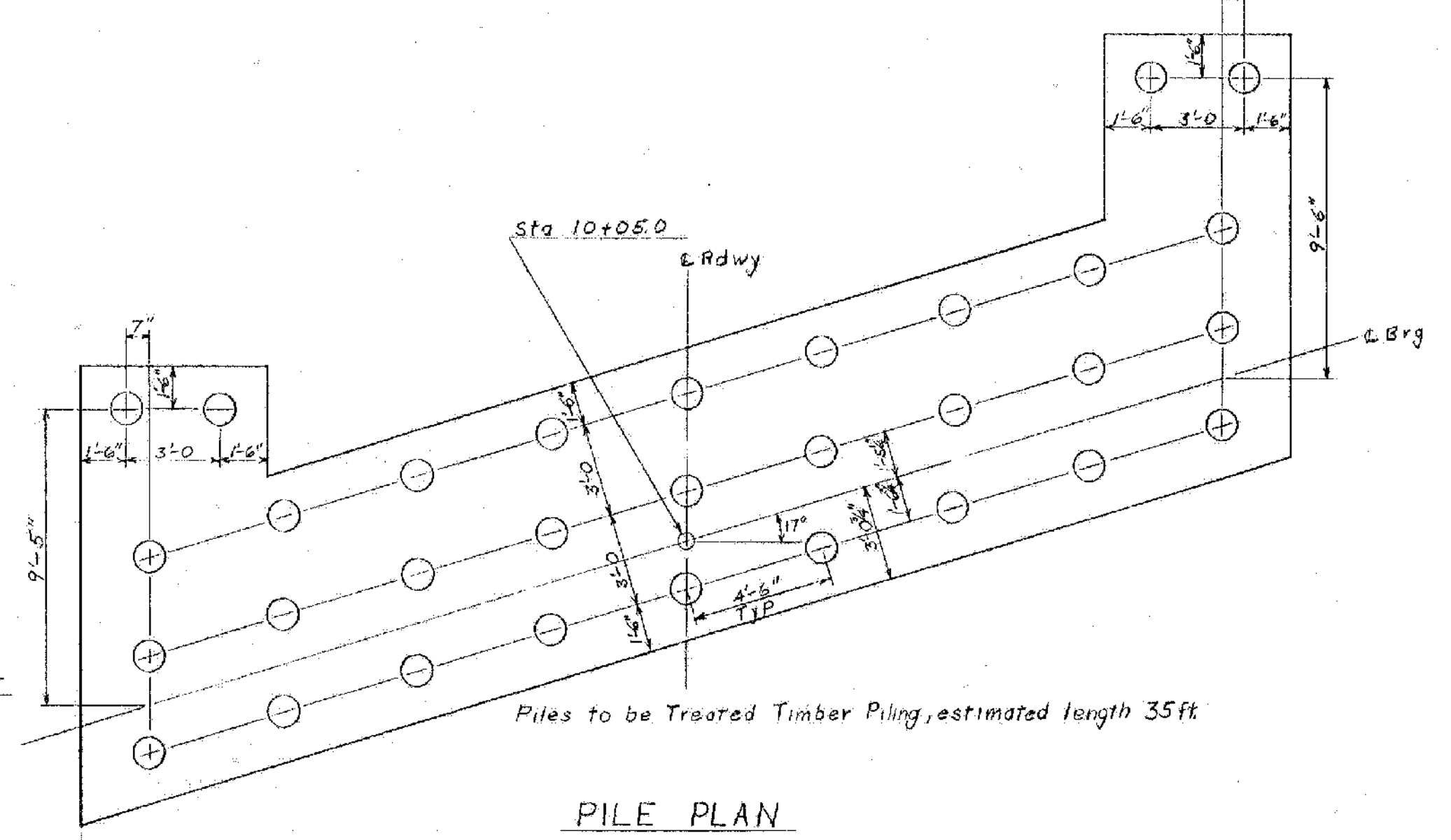
DETAIL A
Scale: 1/2 in = 1 ft



DETAIL B
Scale: 1/2 in = 1 ft



ELEVATION



PILE PLAN

MILTON-HIGHGATE
IM MEMB(26)
SHEET 52 OF 70
BRIDGE 89
FOR REFERENCE ONLY

NOTES:
1. For abutment notes see Br 108 of 113

Br 107 of 113
STATE OF VERMONT
DEPARTMENT OF HIGHWAYS
TOWN OF ST. ALBANS-SWANTON
ROUTE NO. VI 36 LOG STA.
VI 36 OVER I 89 @ STA 3457+97
ABUTMENT NO. 1
SCALE 1/4" = 1' EAs Noted
SURVEYED BY _____
DRAWN BY AGC CHECKED BY DP
PROJECT NO. I-89-3(36) Cont. 1
SHEET 52 OF 278