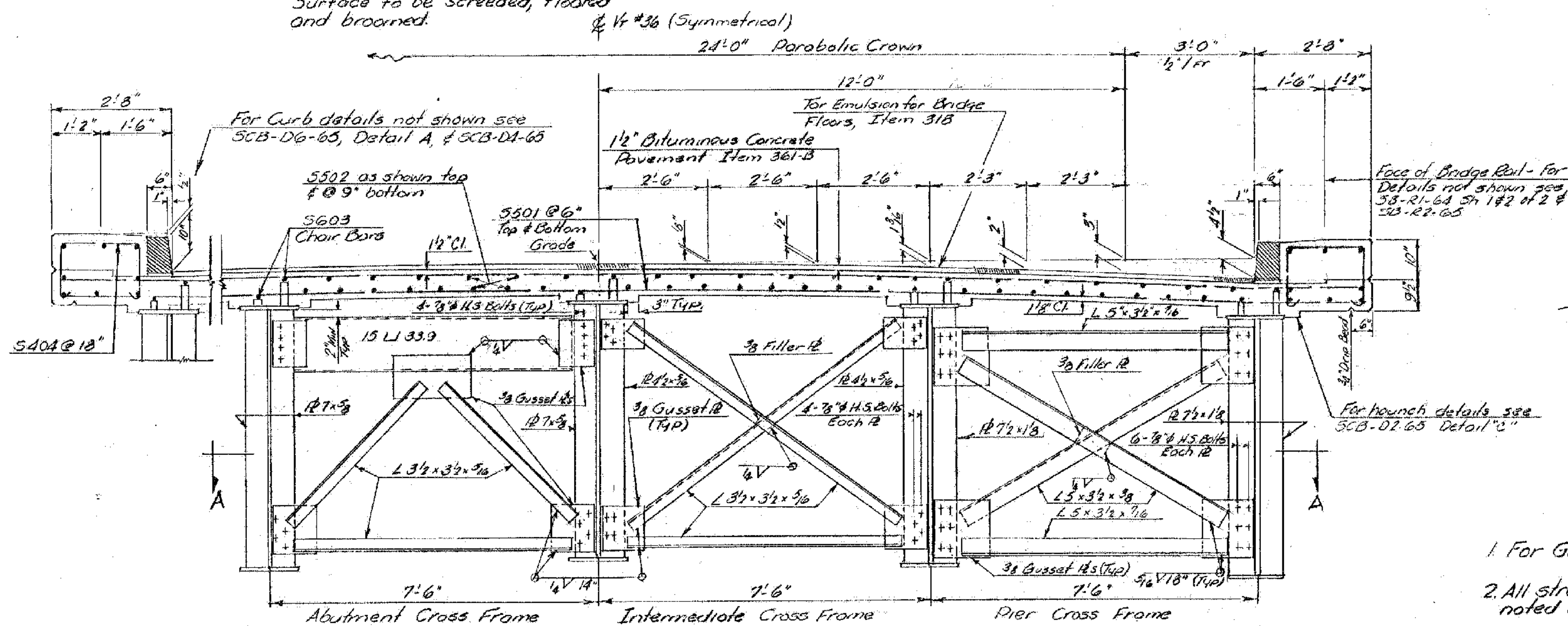
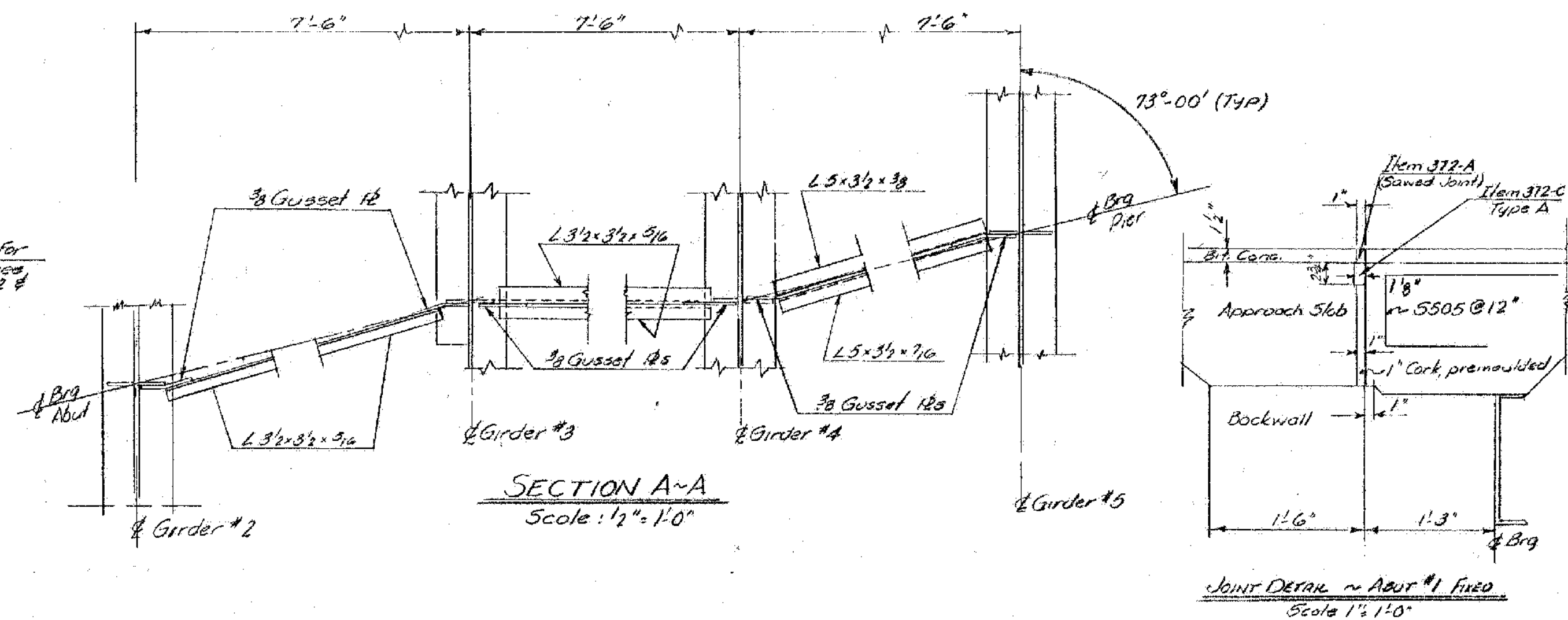


Floor Slab to be Concrete Class AA, 7 1/2" thick, dapped as shown at beam haunches. Surface to be screeded, floated and broomed.

Note: Cut S501 transverse bars at stem end as required & use cutoffs on opposite end.



TYPICAL BRIDGE SECTION
Scale: 1/2" = 1'-0"



SECTION A-A
Scale: 1/2" = 1'-0"

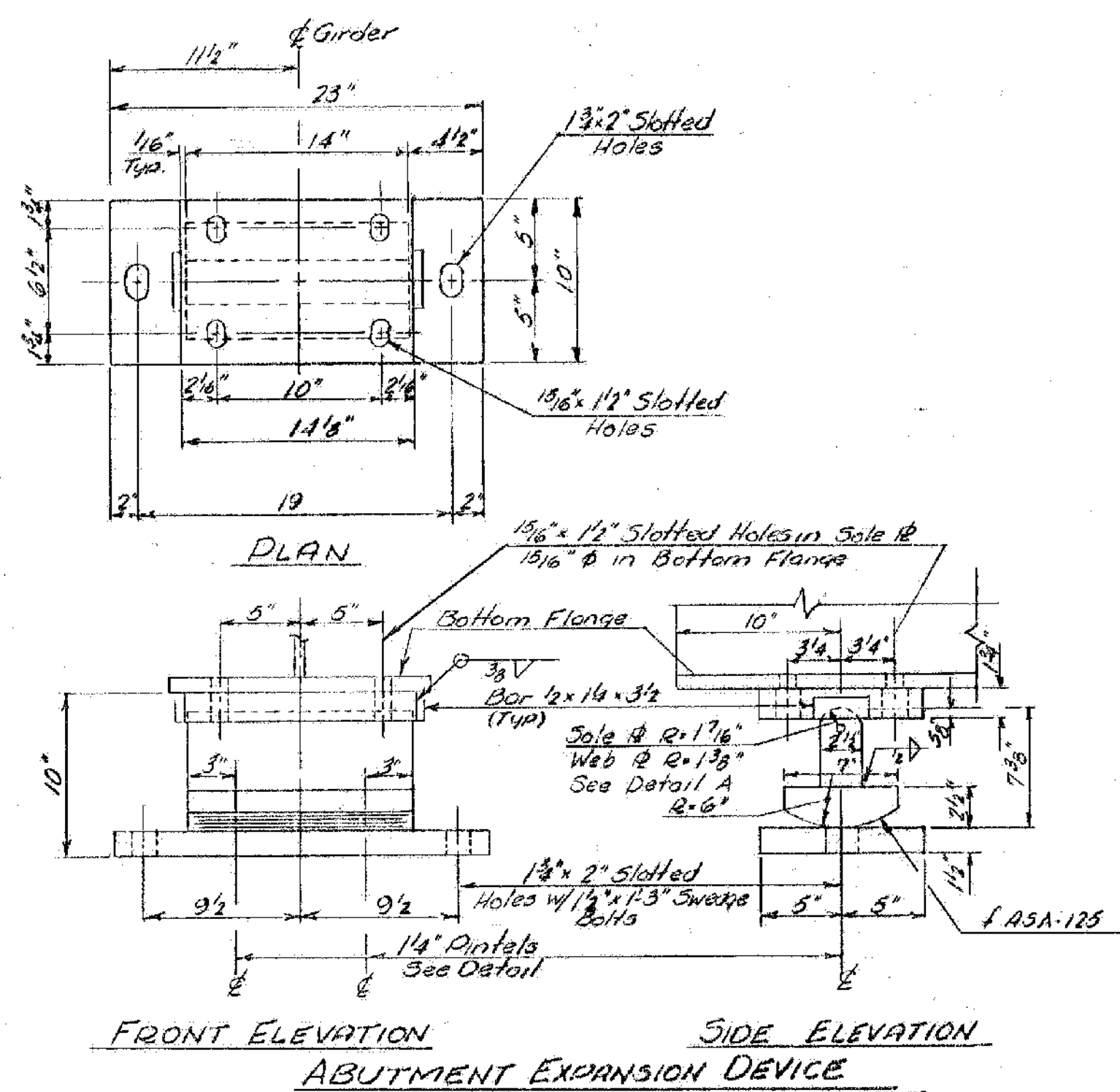
Joint Detail - Abut #1 Fixed
Scale: 1/2" = 1'-0"

SUPERSTRUCTURE NOTES

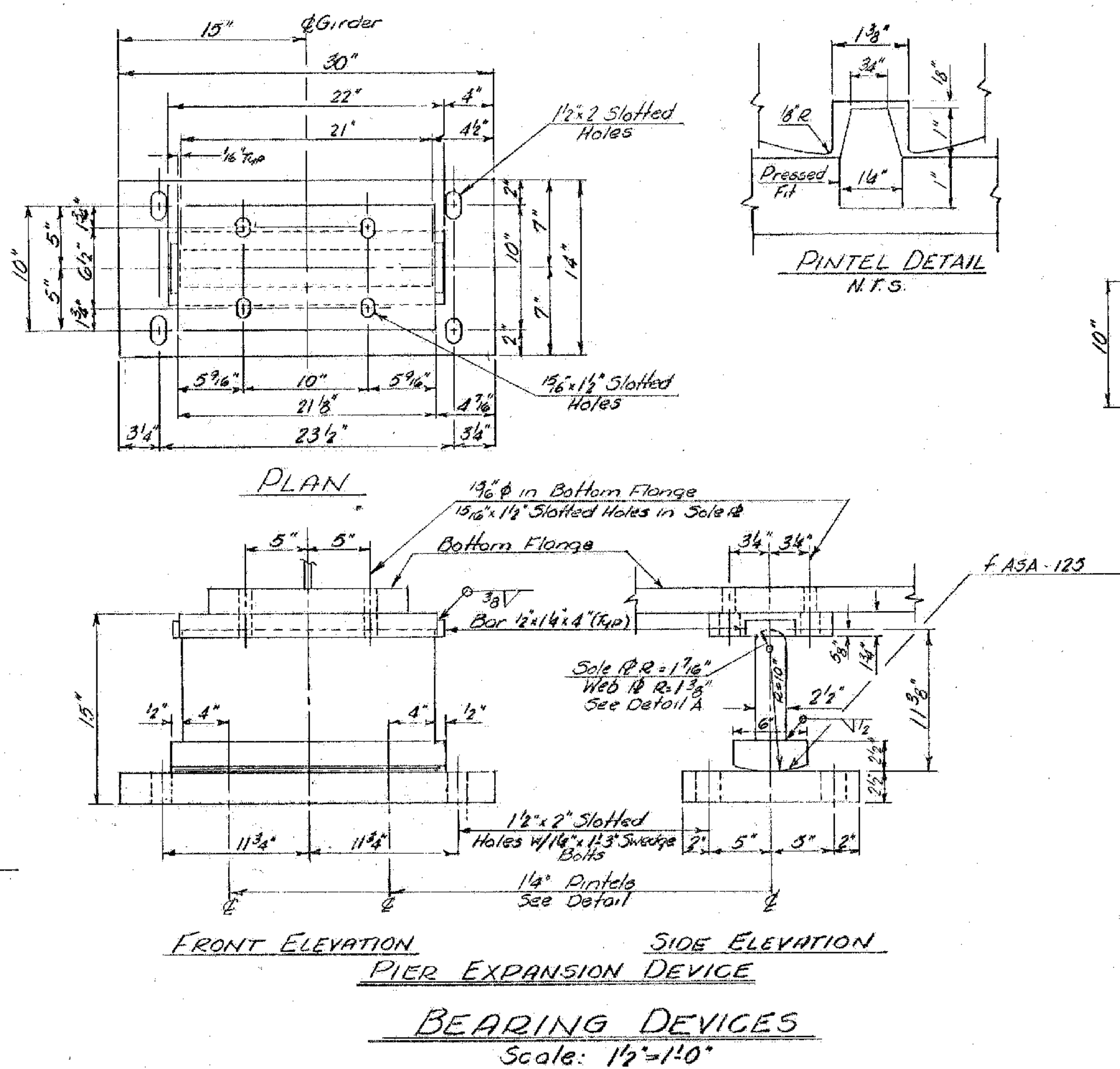
1. For General Notes see Std. Sp. SCB-D1-65 and Br. 100.
2. All structural steel shall be ASTM A36-62T unless otherwise noted on the plans.
3. All field connections shall be made with 3/4" dia High Strength bolts in 1/2" holes unless otherwise noted on the plans.
4. Water Repellent Item 400 shall be applied to safety walk fascia and bottom of slab back to drip bead.

BEARING DEVICE NOTES

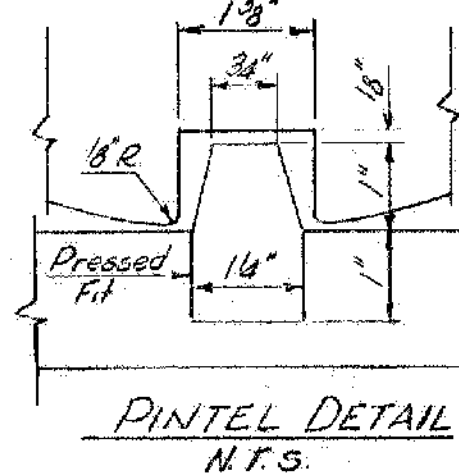
1. Preformed Fabric Pads or Canvas and Red Lead pads 8" thick, equal in size to the bearing plates shall be used under each bearing, conforming to Spec. 40400(23).
2. Align devices so that all rocker arm shafts will be vertical at 45°F. For temperatures other than 45°F, adjust rockers and expansion devices by the following amount in feet according to whether bridge is in expanded or contracted position: Length from fixed bearing x 0.0000065 x degree of change from 45° F.
3. Contact surfaces of rockers to be given shop coat of White Lead & Tallow. Pintel holes are to be filled with graphite at time of placement. Remainder of bearing to be given 3 coats of paint in accordance with 14 Spec. 40403. Those parts of bearing, coated with White Lead & Tallow, shall be cleaned prior to erection & coated with graphite & grease as directed by the Engineer.



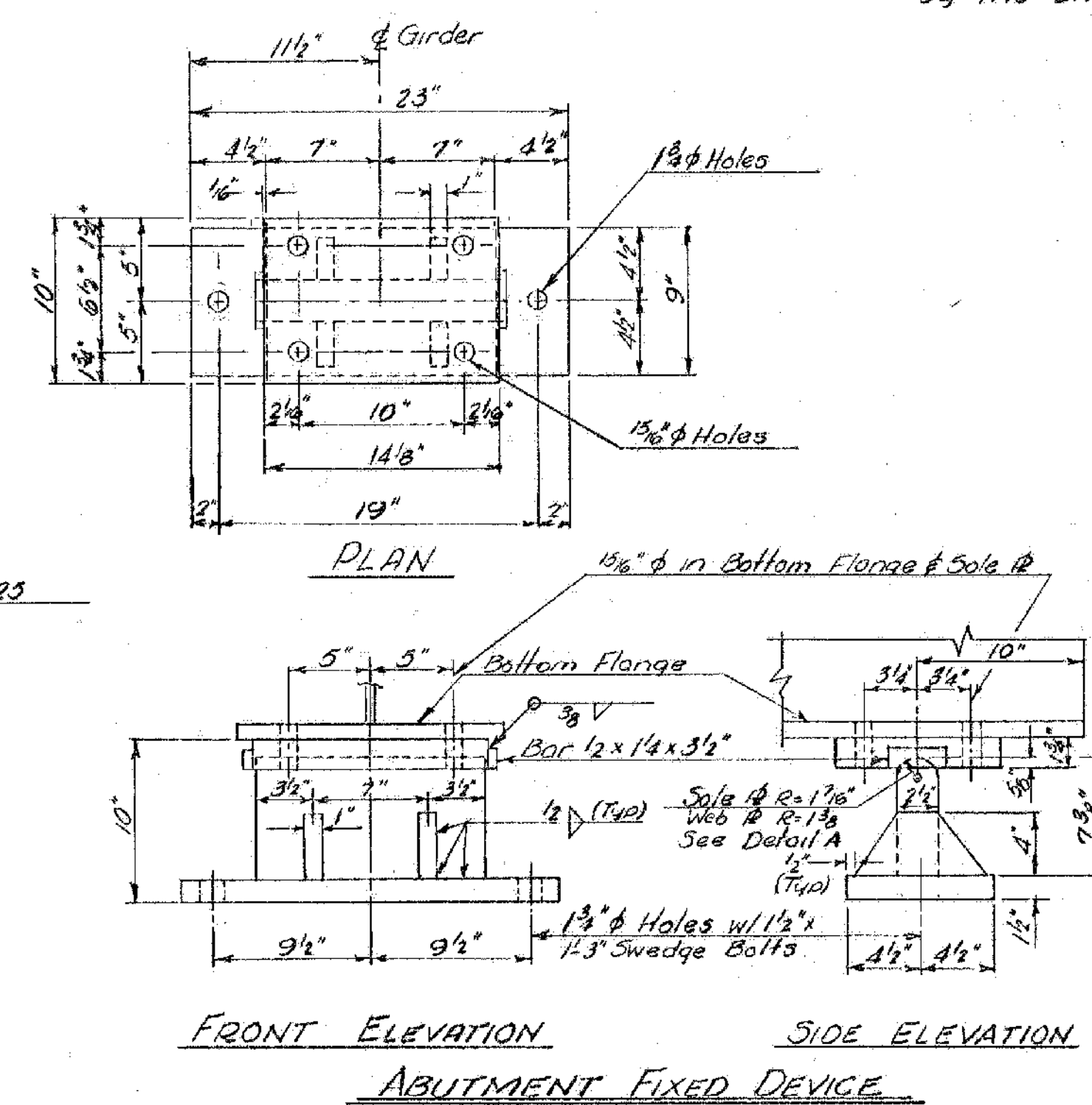
FRONT ELEVATION SIDE ELEVATION
ABUTMENT EXPANSION DEVICE



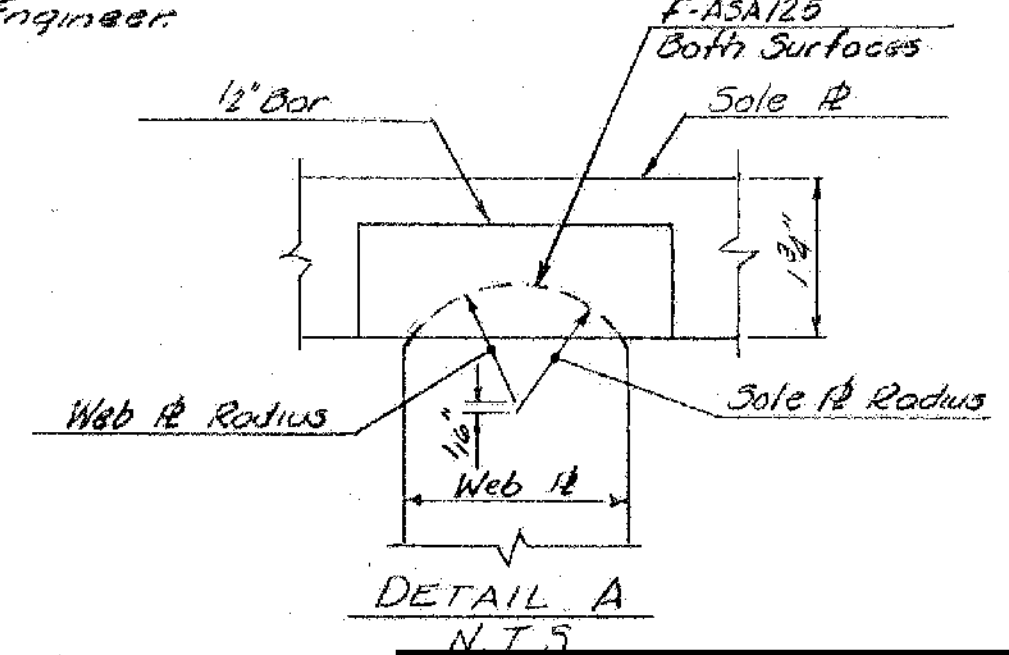
PLAN FRONT ELEVATION SIDE ELEVATION
PIER EXPANSION DEVICE
BEARING DEVICES
Scale: 1/2" = 1'-0"



PINTEL DETAIL
N.T.S.



FRONT ELEVATION SIDE ELEVATION
ABUTMENT FIXED DEVICE



DETAIL A
N.T.S.

MILTON-HIGHGATE
IM MEMB(26)

SHEET 49 OF 70
BRIDGE 89
FOR REFERENCE ONLY

STATE OF VERMONT
DEPARTMENT OF HIGHWAYS

TOWN OF ST. ALBANS - SWANTON
ROUTE NO. VERMONT Rte #36
Vt #36 OVER I-89 @ STA. 3457+97

BRACING DETAILS & BEARING DEVICES
SCALE AS NOTED

SURVEYED BY _____
DRAWN BY VI CHECKED BY AGG
PROJECT NO. I-89-3(36) 91
SHEET 66 OF 298