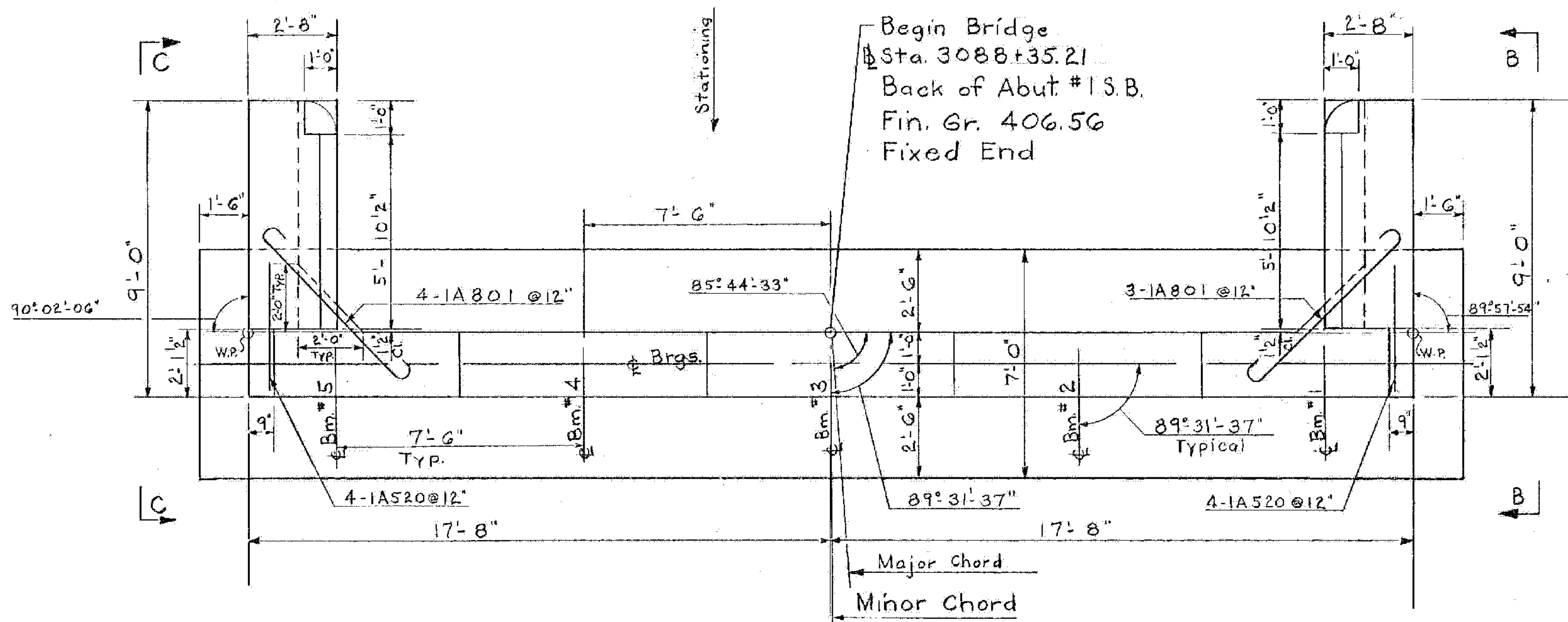
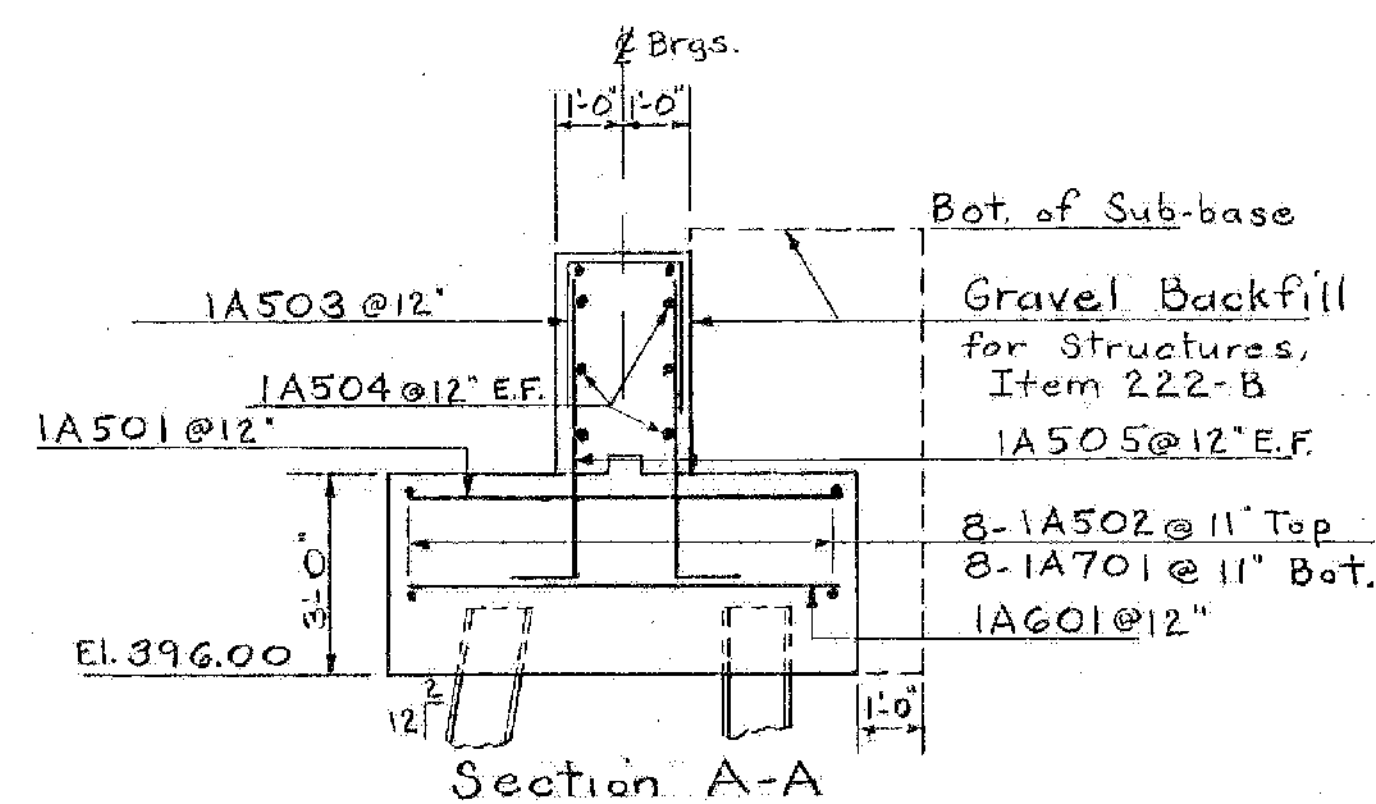
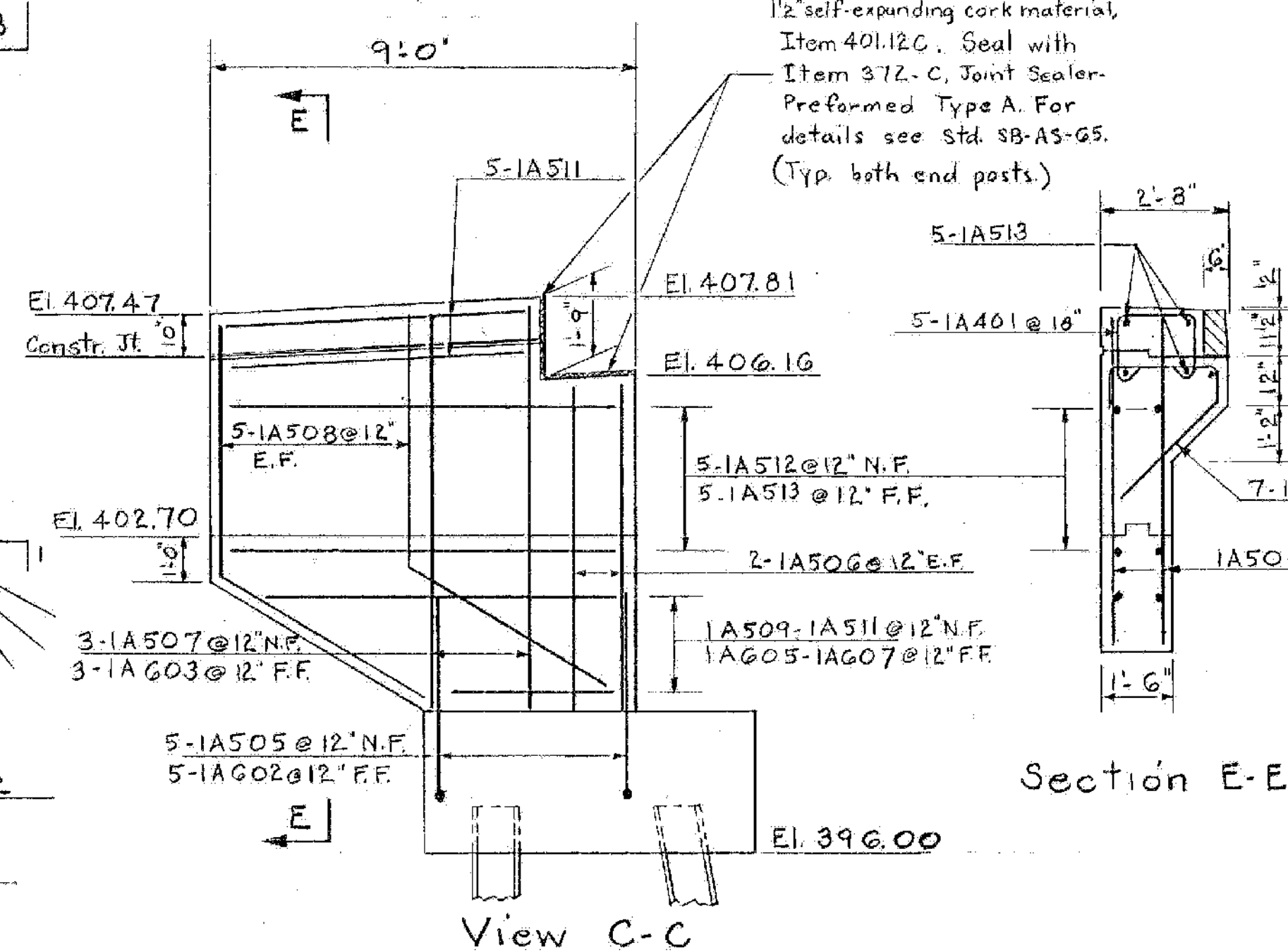
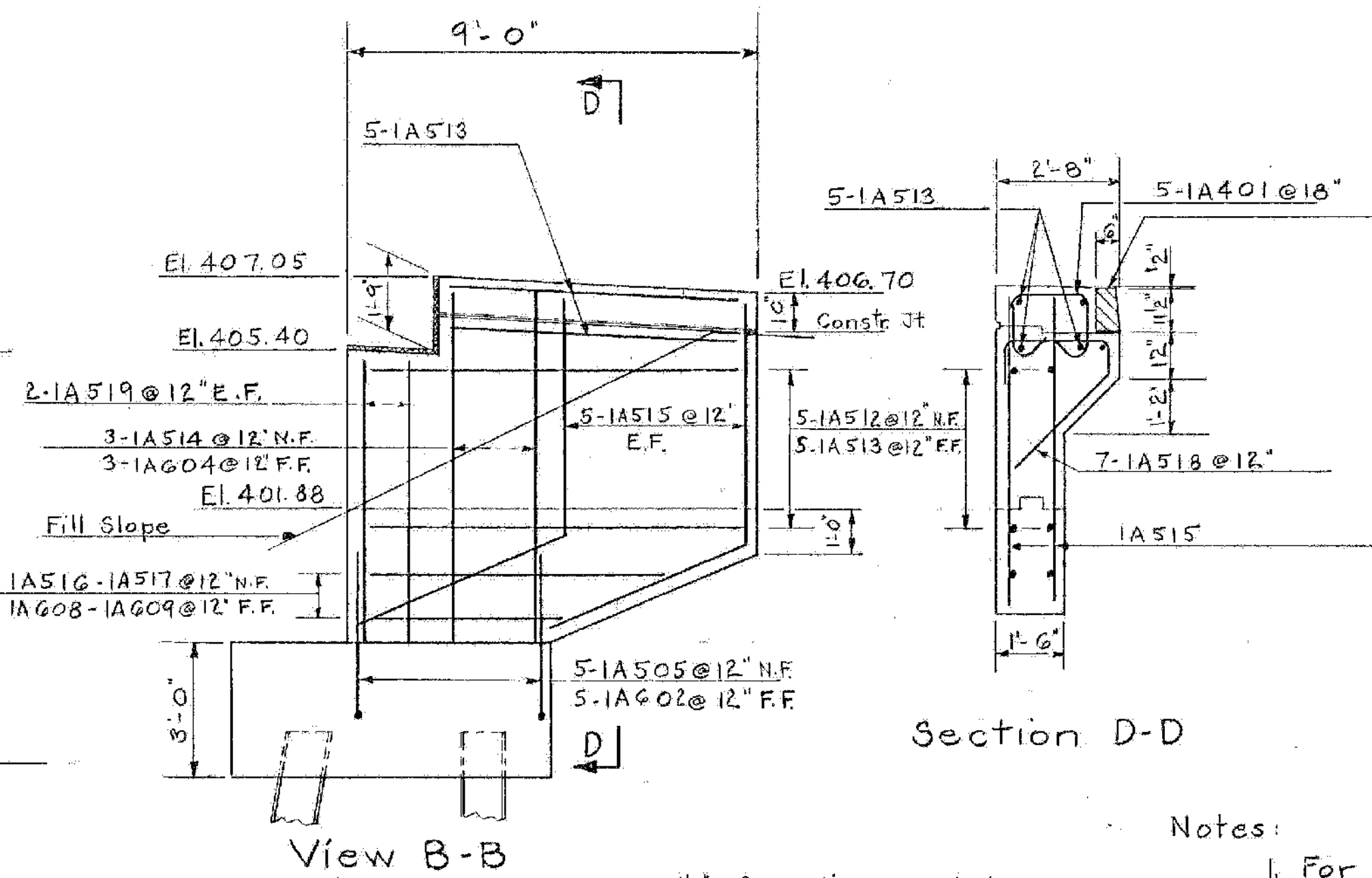
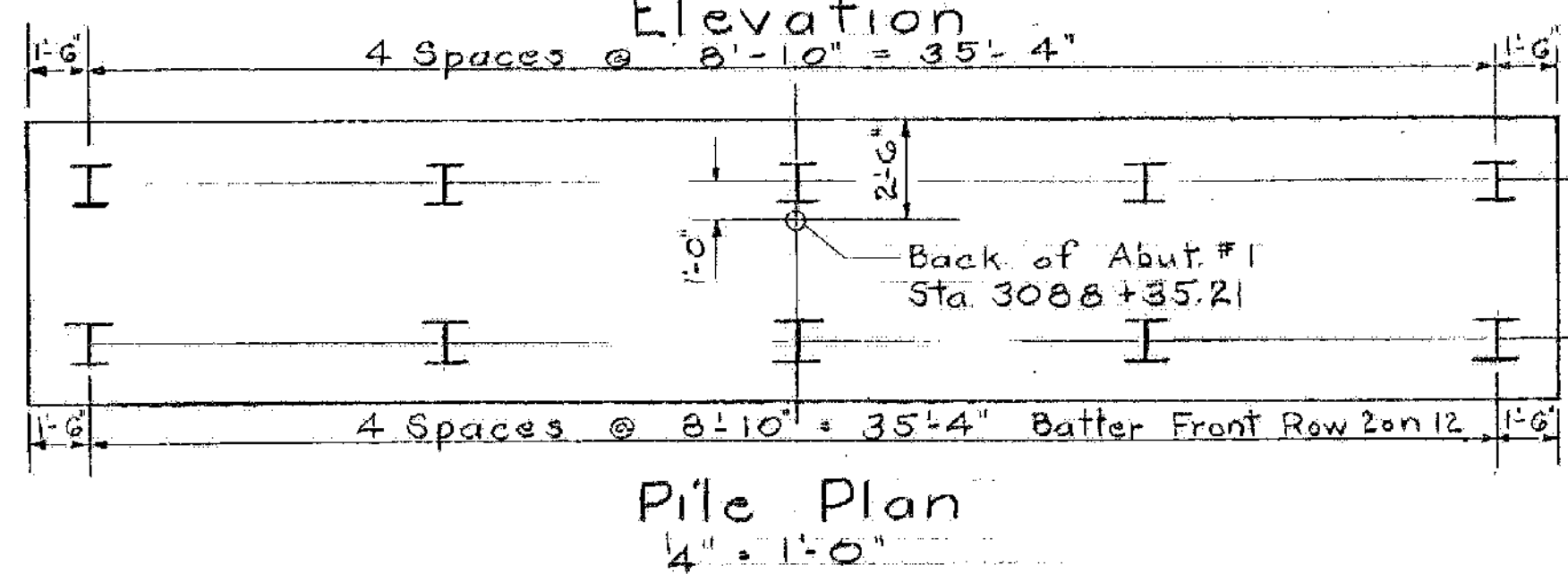
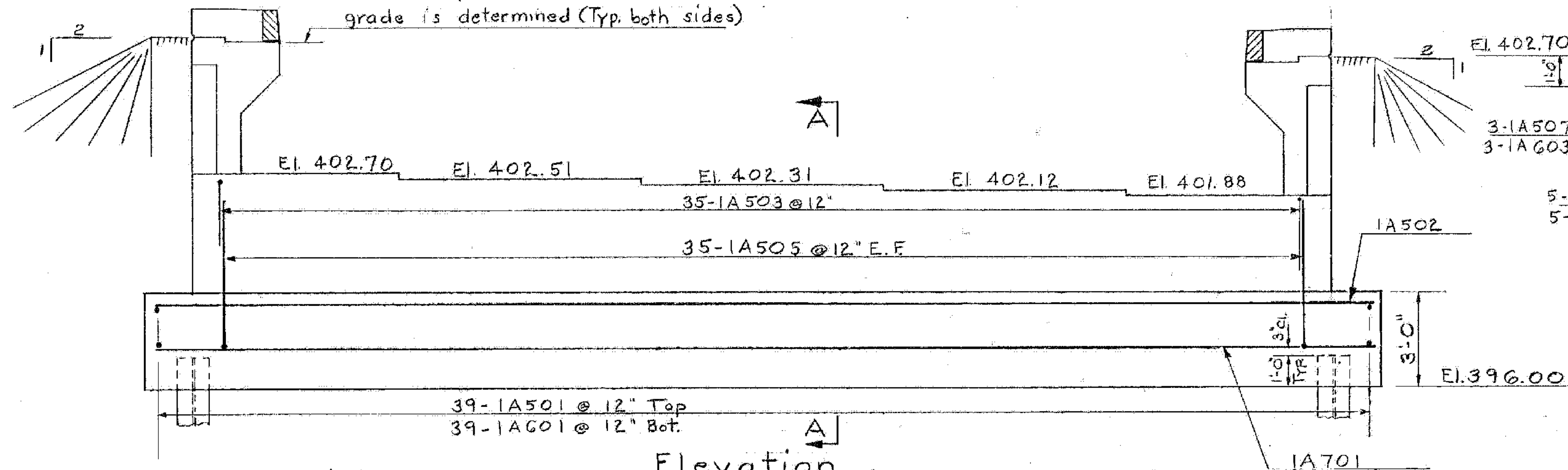


No. of Piles	Size	Est. Length of Piles	Splices Allowed for piles not exceeding Plan Length (to be paid for only if used.)	Splices estimated for piles exceeding Plan Length (to be paid for only if used.)
10	12BP53	150'	20	2



Note:
Do not construct above this joint until structural steel is in place and final grade is determined (Typ. both sides)



Granite Bridge Curb, Item 55-C. For details see Std. Sh. SCB-DG-G5, Det. A.

MILTON-HIGHGATE
IM MEMB(26)
SHEET 43 OF 70
BRIDGE 86S
FOR REFERENCE ONLY

- Notes:
1. For General Notes see Std. Sh. SCB-D1-G5.
 2. Reinforcing steel to have a minimum clear cover of 3" in the footings and 2" elsewhere.
 3. Steel piles (12BP53) shall be driven to point bearing on ledge unless the designed bearing capacity of 45 tons per pile is attained above ledge elevation.
 4. Place bridge marker and bench mark hub as shown on Std. Sh. SCB-D1-G5. Furnished by the State.
 5. Step bridge seats midway between beams.
 6. FF - Far Face
NF - Near Face
EF - Each Face

Stage I Construction
CONTRACT I

STATE OF VERMONT
DEPARTMENT OF HIGHWAYS
Georgia - Fairfax -
TOWN OF Fairfield - St. Albans
ROUTE No. I 89 LOG STA.
Abutment No. 1 Details
I 89 over C.V. Ry.
SCALE 3/8" = 1'-0" or As Noted
DRAWN BY A.J.C. CHECKED BY R.P.G.
PROJECT No. I 89-3(35) Cont. #1
SHEET 38 OF 116