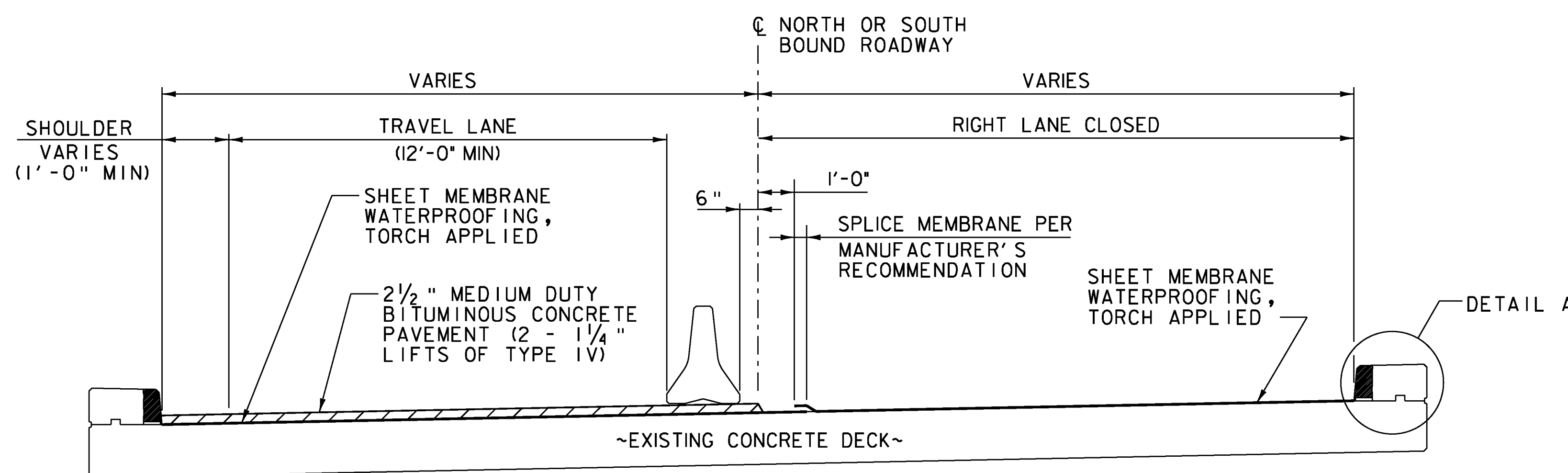


NOTE: PLACEMENT OF THE MEMBRANE SHALL START AT THE LOW SIDE OF THE BRIDGE. SEE BELOW FOR SPLICE.

TYPICAL SECTION - PHASE I CONSTRUCTION

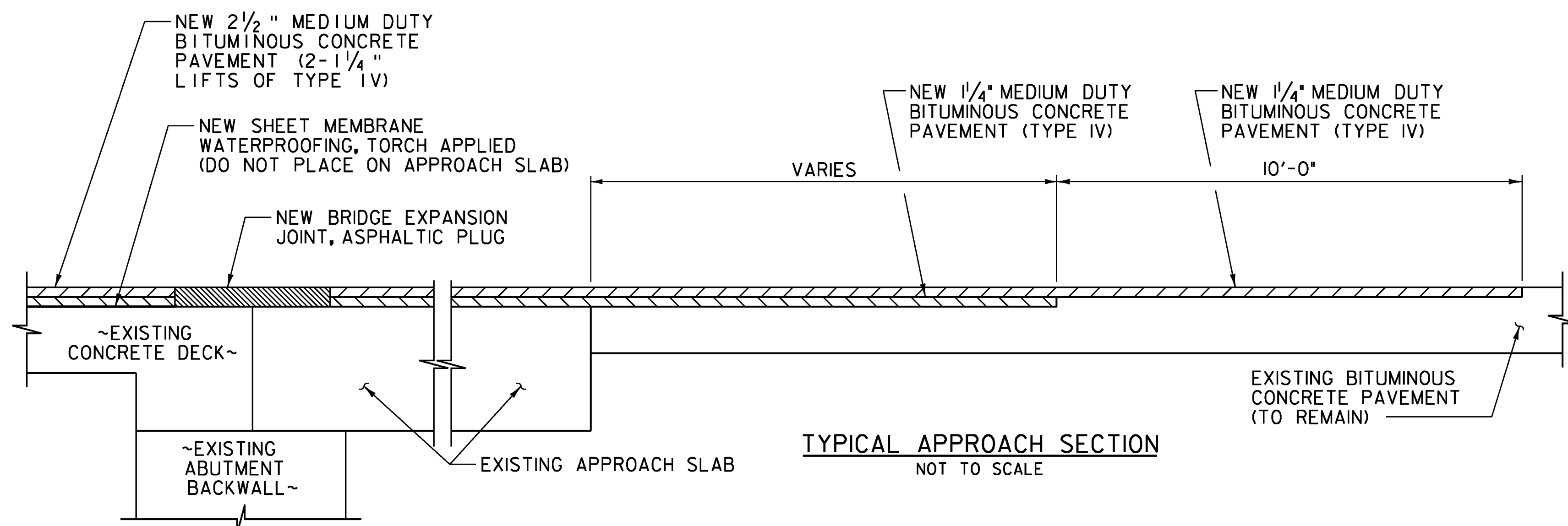
NOT TO SCALE



NOTE: PLACEMENT OF THE MEMBRANE SHALL START AT THE LOW SIDE OF THE BRIDGE. THE SPLICE SHALL BE AS SHOWN ABOVE, WITH THE HIGH SIDE OVERLAPPING THE LOW SIDE.

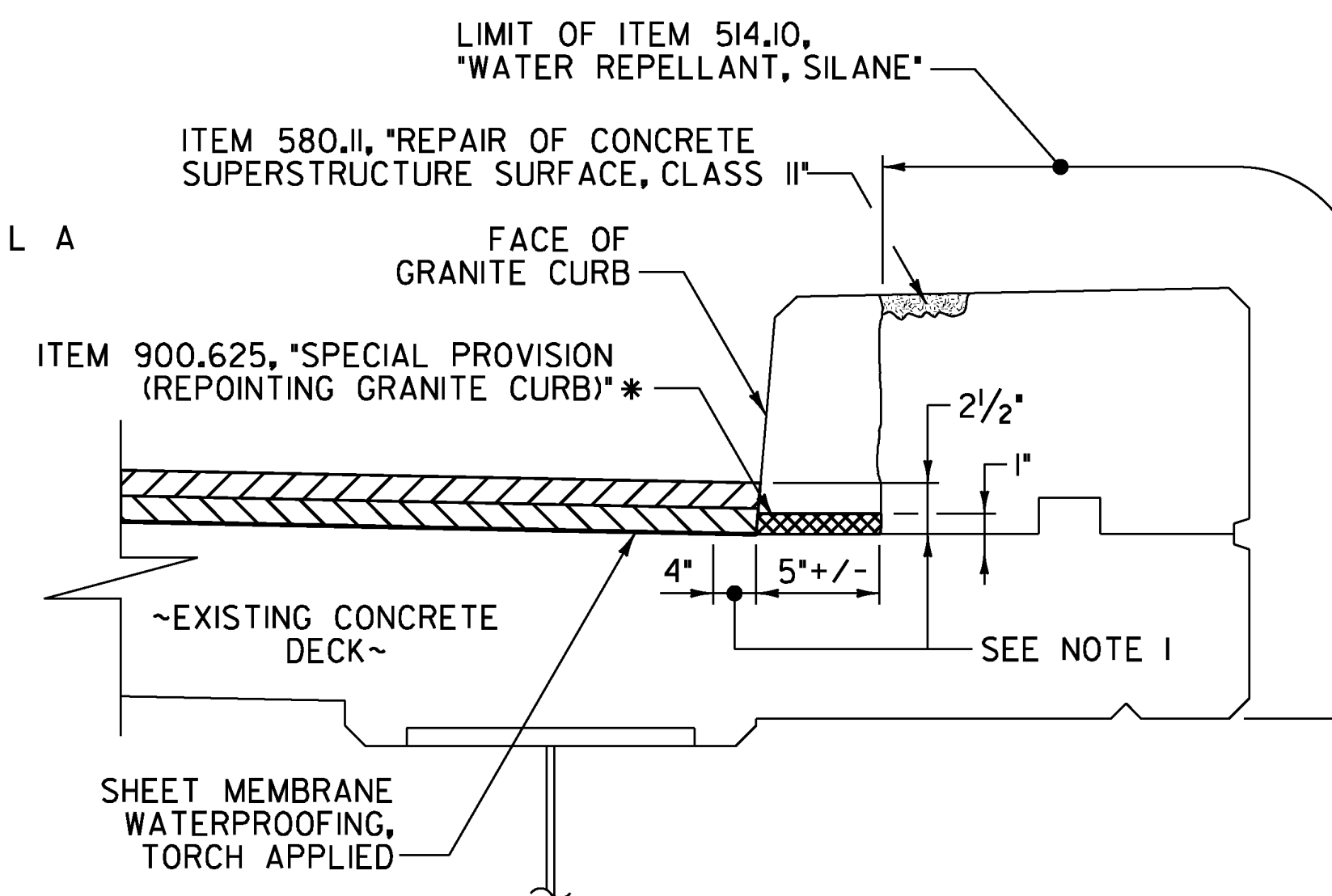
TYPICAL SECTION - PHASE II CONSTRUCTION

NOT TO SCALE



TYPICAL APPROACH SECTION

NOT TO SCALE



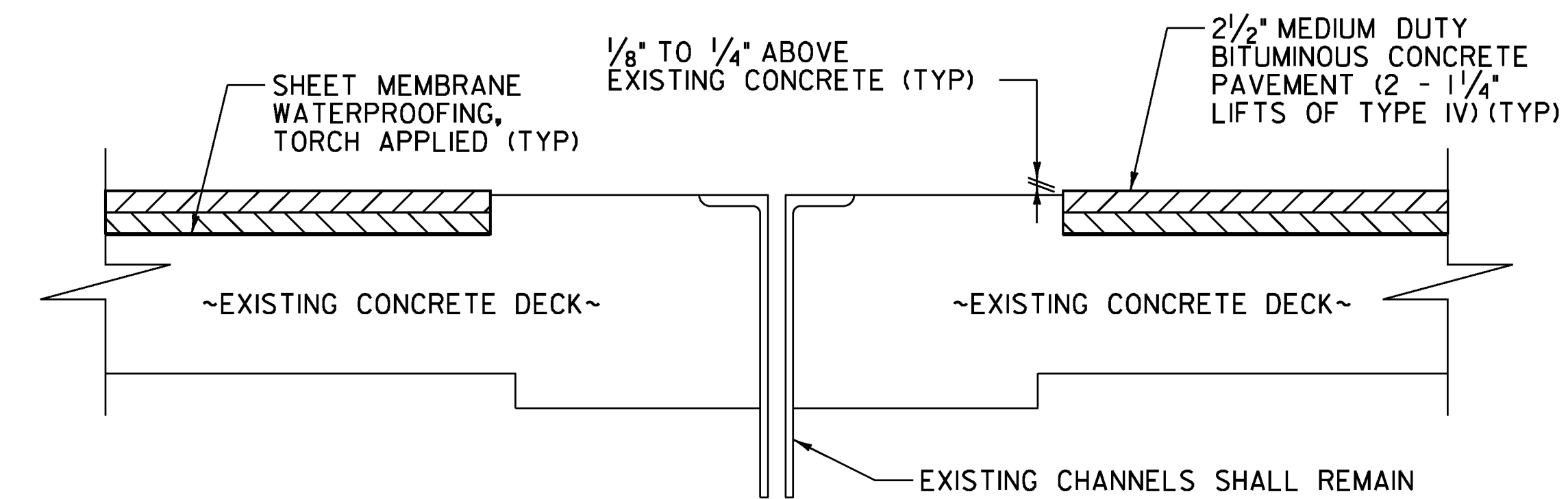
DETAIL A

NOT TO SCALE

DETAIL A NOTES:

1. THE DIMENSIONS SHOWN IN DETAIL A INDICATES AREA ALONG DECK AND UP FACE OF CURB FOR PLACEMENT OF TWO COATS OF POLYURETHANE MEMBRANE.
2. POLYURETHANE MEMBRANE AND BLAST CLEANING SHALL BE INCLUDED IN THE UNIT PRICE BID FOR ITEM 519.20, "SHEET MEMBRANE WATERPROOFING, TORCH APPLIED".
3. SHEET MEMBRANE WATERPROOFING SHALL EXTEND TO FACE OF CURB AS SHOWN.
4. IN ADDITION TO THE REQUIREMENTS OF SUBSECTION 519.04, BLAST CLEAN 2 1/2" UP THE FACE OF CURB PRIOR TO PLACING THE MEMBRANE, INCIDENTAL TO ITEM 519.20, "SHEET MEMBRANE WATERPROOFING, TORCH APPLIED".

*EXISTING MORTAR BED AND VERTICAL CURB JOINTS TO BE REPOINTED AS DIRECTED BY THE RESIDENT ENGINEER. FOR QUANTITY ESTIMATE IT WAS ASSUMED THAT 20% OF THE BRIDGE CURB REQUIRES REPOINTING. A 1" HIGH BY 5" DEEP MORTAR BED AND VERTICAL JOINTS EQUATES TO 3.0 GAL/10 LF OF CURB.



TYPICAL VT JOINT AT PIERS ON BR. 67

NOT TO SCALE

BRIDGE LENGTH AND WIDTH (CURB TO CURB)		
BRIDGE NO.	WIDTH (CURB TO CURB) (FEET)	LENGTH (FEET)
63N	38.0	64.0
63S	38.0	64.0
67	30.0	266.0
84N	37.25	94.0
84S	37.25	94.0

ASPHALTIC PLUG JOINT REPLACEMENT SCHEDULE		
BRIDGE NO.	ABUT. 1	ABUT. 2
63N	38.0 LF	38.0 LF
63S	38.0 LF	38.0 LF
67	32.0 LF	33.0 LF
84N	40.0 LF	40.0 LF
84S	38.0 LF	38.0 LF

PROJECT NAME: WILLISTON-GEORGIA
PROJECT NUMBER: IM MEMB(25)

FILE NAME: z10a184dtbitconc.dgn
PROJECT LEADER: M.A. COLGAN
DESIGNED BY: J.W. GOLEK
BITUMINOUS CONCRETE DETAIL SHEET

PLOT DATE: 5/4/2011
DRAWN BY: J.W. GOLEK
CHECKED BY: S.E. BURBANK
SHEET 10 OF 38

